

SIEMENS

Outdoor Combination Metering

Catalog number
MC3040B1200SECW

Enclosure
Type 3R

Panelboard Rating
200 Amps, Max
120/240 Volts ~, 1 phase, 3 wire
208Y/120 Volts ~, 1 phase, 3 wire
(Derived from 3 phase – 4 wire system)

Meter Socket Rating
200 Amps Continuous

Suitable Only For Use As Service Equipment

For Overhead or Underground Service

Use 60/75°C Copper or Aluminum Conductor in

Terminals A1, B1, A2, B2, N1, and N2.

Line Terminals A and B have wire connectors installed for Underground service entry as shown in the wire diagram, Location A1 and B1. For overhead entry, remove wire connectors from location A1 and B1 and install in location A2 and B2. Torque the sems nut to 40-45 lb in.

Unused neutral branch terminals may be used to terminate equipment grounding wires in the combinations indicated for equipment ground bar terminals.

General Information:
Circuit Breakers overload trip position is indicated by handle position midway between ON and OFF. To reset, move handle to OFF position then turn ON. For installation in accordance with all local Electrical codes and/or the National Electrical Code. ®

Terminal	Wire Size	Torque
A1, B1, A2, B2	250 kcmil - #4	250 lb. in.
N1	250 kcmil - #6	275 lb. in.
N2	#2-#14	50 lb. in.
G1	1/0-#14	120 lb. in.
Branch Breaker Terminals	See Markings on Breaker	
Neutral Bar/Ground Bar	#10 - #14 CU #10-#12 AL #8 #6	20 lb. in. 20 lb. in. 25 lb. in. 35 lb. in.
Ground Conductors only	(2) or (3) #14 (2) #12-#10	20 lb. in. 20 lb. in.

If hub is required, the catalog numbers listed below may be used on the top of this enclosure.

Trade size (in)	Catalog number
1 ¼"	S38597-2
1 ½"	S38598-2
2"	S38599-2
2 ½"	S38600-2
HC Type Hub (Bottom)	
2"	HC200
2 ½"	HC250
3"	HC300

Accessories:

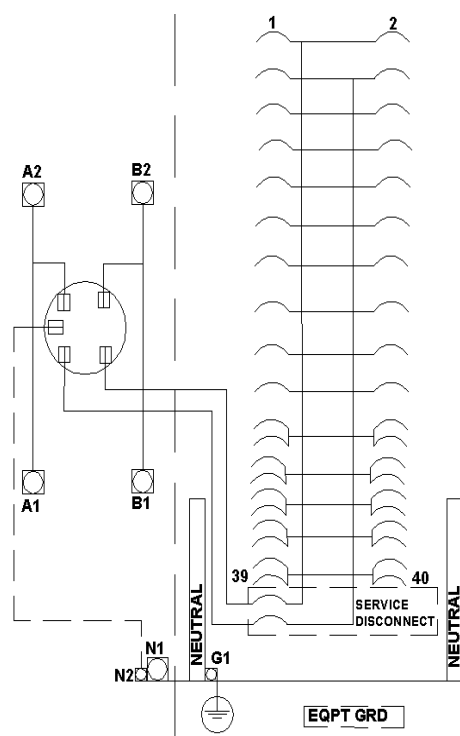
Filler Plate	QF3
5th Jaw Accessory	MC5J
Mechanical Interlock	QML12
Flush Rail Kit	FRK1
Meter Socket Jumper	JSU
Equipment Grounding Bars	GB series

Lug Kits

Catalog Number	Wire Range	Torque
LK1-2	2/0- #2	45 lb in
LK2	2/0- #4	135 lb in
LK3	300 kcmil- #1	340 lb in

J2 E10703

Part No. 4099631 Rev. C



Short Circuit Current Rating (Watt-hour Meter not included in short circuit rating)

This panelboard has a short circuit current rating of 22,000 Amps RMS symmetrical, 120/240 V~. The correct branch circuit breakers and main/branch breaker series combinations to be used for various short circuit current levels are listed in the tabulation below. Any circuit breaker installed, replaced, or added in this panelboard must be manufactured by Siemens and must be of the correct type as indicated in the tabulation below.

Main Breaker	Branch Breaker	Then the maximum short circuit rating in RMS symmetrical amperes, 120/240V~ is:
When the main breaker is:	And the branch breakers installed are Siemens Type:	
QNRH	QP, QPF, QPHF, QE, QEH, QAF, QAFH, QPH, HQP	22,000

Siemens Energy & Automation, Inc. Alpharetta, Georgia U.S.A.

Important

Do not spray or allow any petroleum based chemicals, solvents, or paint to contact interior components.

® The National Electrical Code is a registered trademark of the National Fire Protection Association.

Assembled in Mexico.