

# SIEMENS

## Rainproof Combination Metering

Catalog Number

**MC1224B1125RJB**

Enclosure

**Type 3R**

### RATING

125 AMPS MAX.  
120/240 VOLTS AC, 1 PHASE, 3 WIRE  
208Y/120 VOLTS AC, 1 PHASE, 3 WIRE  
(DERIVED FROM 3 PHASE - 4 WIRE SYSTEM)

### METER SOCKET RATING

125 AMPS CONTINUOUS

### SUITABLE ONLY FOR USE AS SERVICE EQUIPMENT

### FOR OVERHEAD OR UNDERGROUND SERVICE

**USE 60/75° COPPER OR ALUMINUM CONDUCTOR** IN TERMINALS A, B, N1 AND N2.

### GENERAL INFORMATION

REMOVE TWISTOUTS FROM DEADFRONT ONLY WHERE BREAKERS WILL BE INSTALLED. ALL OPENINGS MUST BE FILLED WITH BREAKERS OR FILLER PLATES.

CIRCUIT BREAKERS OVERLOAD TRIP POSITION IS INDICATED BY HANDLE POSITION MIDWAY BETWEEN ON AND OFF. TO RESET, MOVE HANDLE TO OFF POSITION THEN TURN ON.

FOR INSTALLATION IN ACCORDANCE WITH ALL LOCAL ELECTRICAL CODES AND/OR THE NATIONAL ELECTRICAL CODE®.

### MAIN BREAKER TERMINALS

SEE MARKINGS ON BREAKER FOR TORQUE REQUIREMENTS AND CONDUCTOR RATING.

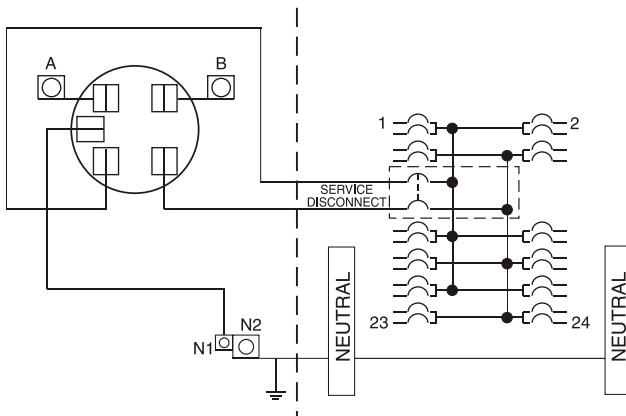
TERMINAL	WIRE SIZE	TORQUE
A, B	2/0 - #14	50 lb-in
N1	#2 - #3	50 lb-in
	#4 - #6	45 lb-in
	#8	40 lb-in
	#10 - #14	35 lb-in
N2	2/0 - #4	120 lb-in
Branch Breaker Terminals	See Markings on Breaker	
Neutral Bar	#10 - #14 CU/ #10 - #12 AL	20 lb-in
	#8	25 lb-in
	#6 - #4	35 lb-in

### ACCESSORIES

FILLER PLATE CAT. NO. QF3

IF HUB IS REQUIRED, THE CATALOG NUMBERS LISTED BELOW MAY BE USED ON THIS ENCLOSURE

TRADE SIZE (IN)	CATALOG NUMBER
1-1/4"	RX125
1-1/2"	RX150
2"	RX200
2-1/2"	RX250



SHORT CIRCUIT CURRENT RATING (WATTHOUR METER NOT INCLUDED IN SHORT CIRCUIT RATING)

THIS PANELBOARD HAS A SIEMENS TYPE QPH CIRCUIT BREAKER INSTALLED AND HAS A MAXIMUM SHORT CIRCUIT RATING OF 22,000 RMS SYMMETRICAL AMPERES, 120/240 VOLTS AC. ANY CIRCUIT BREAKER REPLACED OR ADDED IN THIS PANELBOARD MUST BE MANUFACTURED BY SIEMENS AND MUST BE THE TYPES LISTED BELOW.

MAIN BREAKER WHEN THE MAIN BREAKER IS:	BRANCH BREAKER AND THE BRANCH BREAKERS INSTALLED ARE SIEMENS OR MURRAY TYPE:	THEN THE MAXIMUM SHORT CIRCUIT RATING IN RMS SYMMETRICAL AMPERES, 120/240 VOLTS AC IS:
QPH	QP, QT, QPF, QPHF, QE, QEH, QAF, QAFH	22,000

® IS A REGISTERED TRADEMARK OF NATIONAL FIRE AND PROTECTION AGENCY.

Siemens Energy & Automation, Inc. Alpharetta, Georgia U.S.A.

T

4099540 Rev.A

**IMPORTANT** DO NOT ALLOW PETROLEUM BASED (HYDROCARBON) SPRAYS, CHEMICALS, SOLVENTS OR ANY PAINT TO CONTACT INTERIOR COMPONENTS. PETROLEUM BASED CHEMICALS CAN CAUSE DEGRADATION OF ELECTRICAL INSULATING MATERIALS.