

SIEMENS

Rainproof Combination Metering

Catalog Number
MC1224B1125

Enclosure
Type 3R

RATING

125 AMPS MAX.
120/240 VOLTS ~, 1 PHASE, 3 WIRE
208Y/120 VOLTS ~, 1 PHASE, 3 WIRE
(DERIVED FROM 3 PHASE - 4 WIRE SYSTEM)

METER SOCKET RATING

125 AMPS CONTINUOUS

SUITABLE ONLY FOR USE AS SERVICE EQUIPMENT

FOR OVERHEAD OR UNDERGROUND SERVICE

USE 60/75° COPPER OR ALUMINUM CONDUCTOR IN TERMINALS A, B, N1 AND N2.

GENERAL INFORMATION

REMOVE TWISTOUTS FROM DEADFRONT ONLY WHERE BREAKERS WILL BE INSTALLED. ALL OPENINGS MUST BE FILLED WITH BREAKERS OR FILLER PLATES.

CIRCUIT BREAKERS OVERLOAD TRIP POSITION IS INDICATED BY HANDLE POSITION MIDWAY BETWEEN ON AND OFF. TO RESET, MOVE HANDLE TO OFF POSITION THEN TURN ON.

FOR INSTALLATION IN ACCORDANCE WITH ALL LOCAL ELECTRICAL CODES AND/OR THE NATIONAL ELECTRICAL CODE®.

MAIN BREAKER TERMINALS
SEE MARKINGS ON BREAKER FOR TORQUE REQUIREMENTS AND CONDUCTOR RATING.

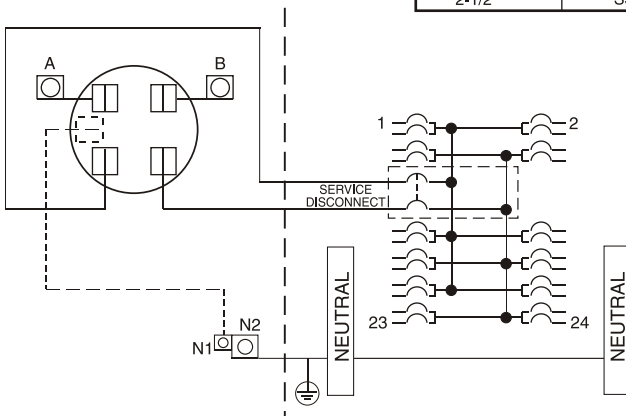
TERMINAL	WIRE SIZE	TORQUE
A, B	2/0 - #14	50 lb-in
N1	#2 - #3	50 lb-in
	#4 - #6	45 lb-in
	#8	40 lb-in
	#10 - #14	35 lb-in
N2	2/0 - #4	120 lb-in
Branch Breaker Terminals	See Markings on Breaker	
Neutral Bar	#10 - #14 CU	20 lb-in
	#10 - #12 AL	20 lb-in
	#8	25 lb-in
	#6 - #4	35 lb-in
Ground Conductors Only	(2) or (3) #14 AWG	20 lb-in
	(2) #12-#10 AWG	20 lb-in

ACCESSORIES

FILLER PLATE CAT. NO. QF3

IF HUB IS REQUIRED, THE CATALOG NUMBERS LISTED BELOW MAY BE USED ON THIS ENCLOSURE

TRADE SIZE (IN)	CATALOG NUMBER
1-1/4"	S38597-2
1-1/2"	S38598-2
2"	S38599-2
2-1/2"	S38600-2



SHORT CIRCUIT CURRENT RATING (WATTHOUR METER NOT INCLUDED IN SHORT CIRCUIT RATING)
THIS PANELBOARD HAS A SIEMENS TYPE QPH CIRCUIT BREAKER INSTALLED AND HAS A MAXIMUM SHORT CIRCUIT RATING OF 22,000 RMS SYMMETRICAL AMPERES, 120/240 VOLTS ~. ANY CIRCUIT BREAKER REPLACED OR ADDED IN THIS PANELBOARD MUST BE MANUFACTURED BY SIEMENS AND MUST BE THE TYPES LISTED BELOW.

MAIN BREAKER	BRANCH BREAKER	THEN THE MAXIMUM SHORT CIRCUIT RATING IN RMS SYMMETRICAL AMPERES, 120/240 VOLTS ~ IS:
WHEN THE MAIN BREAKER IS:	AND THE BRANCH BREAKERS INSTALLED ARE SIEMENS OR MURRAY TYPE:	
QPH	QP, QT, QPF, QPHF, QE, QEH, QAF, QAFH	22,000

® IS A REGISTERED TRADEMARK OF NATIONAL FIRE AND PROTECTION AGENCY.

Siemens Energy & Automation, Inc. Alpharetta, Georgia U.S.A.

T

4099820 Rev.A

IMPORTANT DO NOT ALLOW PETROLEUM BASED (HYDROCARBON) SPRAYS, CHEMICALS, SOLVENTS OR ANY PAINT TO CONTACT INTERIOR COMPONENTS. PETROLEUM BASED CHEMICALS CAN CAUSE DEGRADATION OF ELECTRICAL INSULATING MATERIALS.