

EUSERC Meter/Load Center Combinations

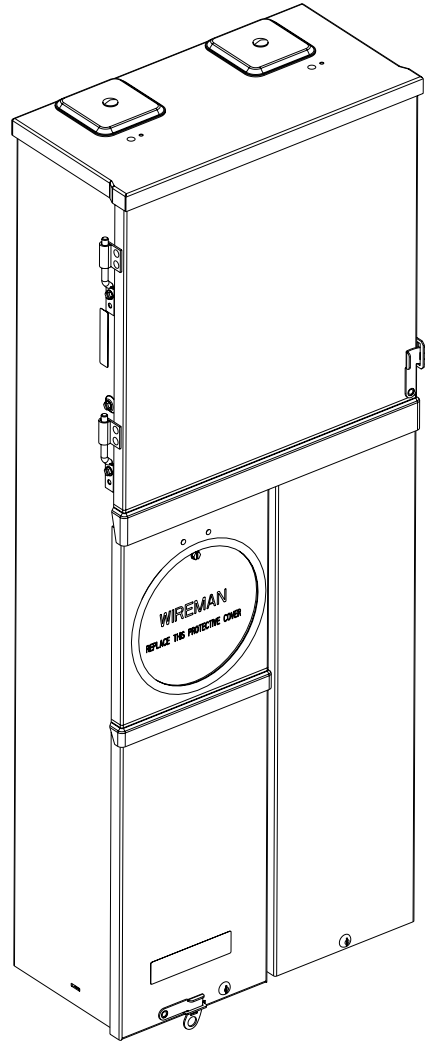
Surface Mount (MC1212L1200SED)

FEATURES

- UL Listed only for use as service entrance equipment when not more than 6 disconnects are used, and when not used as a lighting and appliance panel.
- NEMA Type 3R enclosure with painted, G90 galvanized steel
- 22,000A IC rating
- Underground feed only
- Ring style meter cover
- Tin plated copper bus bars
- 7" deep can
- Steel breaker mounting base pan
- *INSTA-WIRE* neutrals and grounds
- Visible neutrals and grounds
- Side-hinged load center door; requires the removal of only one screw to remove door
- Surface mounting
- Key hole shaped mounting holes for easy hanging
- Deadfront pull ring
- Captive deadfront screw
- See wiring diagram for lug sizes and torque data
- Main Breaker not included

ACCESSORIES

- Bottom end wall has type HC hub provisions:
 - EHC200 (2")
 - EHC250 (2-1/2")
 - EHC300 (3")
- Ground bar kits:
 - ECGB5, ECGB10, ECGB14
 - (check wiring diagram for limitations)
- 2/0 - #4 wire range Lug Kit: ECLK2
- 5th Jaw Assembly: EMC5J
- Mechanical Breaker Interlock: ECQML12
- Meter Socket Jumper: ECJS
- Filler Plate: QF3 or ECQF3



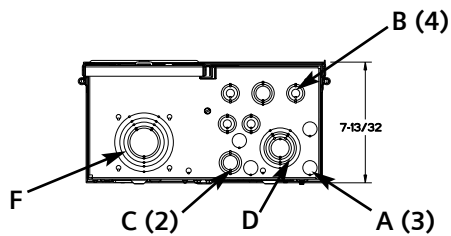
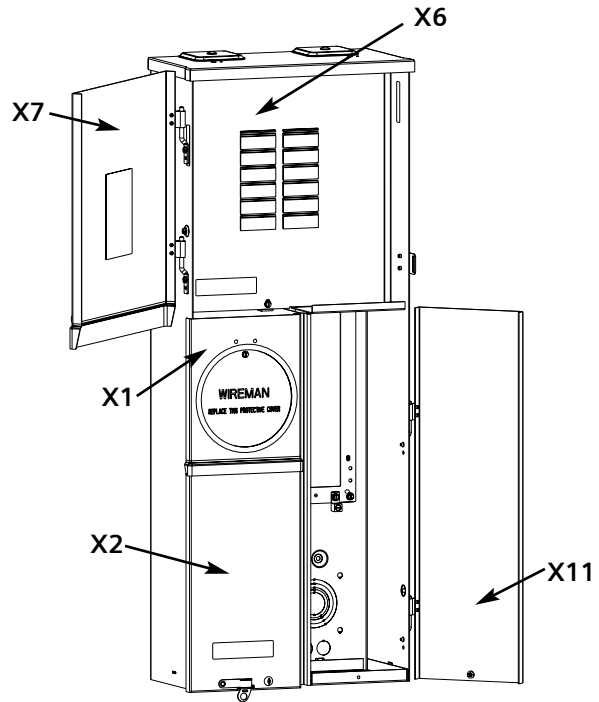
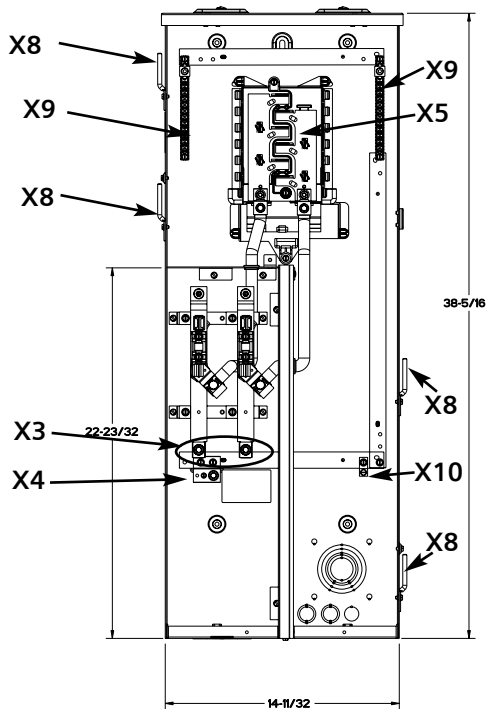
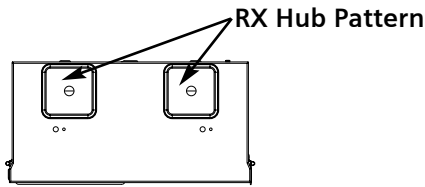
Main Ampere Rating	Catalog Number	No. of Circuits	No. of Spaces
200	MC1212L1200SED	12	12

fastfax

SIEMENS

EUSERC Meter/Load Center Combinations

Dimensions, Knockout Diagrams, Replacement Parts



Knockout Schedule

- A = 1/2"
- B = 1/2", 3/4"
- C = 1/2", 3/4", 1"
- D = 3/4", 1", 1-1/4", 1-1/2", 2"
- E = 1", 1-1/4", 1-1/2", 2", 2-1/2"
- F = 1-1/4", 1-1/2", 2", 2-1/2", 3"
- G = 0.31" diameter Ground Wire K.O.

Replacement Parts

Replacement Parts are to be ordered as an "ITESA2 Special" using the descriptions following the X reference below:

X Reference	Description	Part No.
X1	Meter Cover	5459646
X2	Pull Section Cover and Latch	5459648
X3	Line Phase Lugs	6519920
X4	Utility Neutral Lug	6529980
X5	Load Center Interior	8019940
X6	Deadfront	5329570
X7	Load Center Door	5459645
X8	Door Hinge Pin	5819903, 5819904
X9	Neutral Bar	8029145
X10	Load Center Ground Lug	36503
X11	Load Pull Section Door	5459647