

SIEMENS

Rainproof Combination Metering

Catalog Number
MC0816B1200SCTM

Enclosure
Type 3R

Panelboard Rating:
250 Amps, Max; 120/240 Volts ~, 1 phase, 3 wire; 208Y/120 Volts ~, 1 phase, 3 wire
(Derived from 3 phase - 4 wire system With 5th Jaw Assembly installed)

Meter Socket Rating: 200 Amps Continuous, 250 Amps Max.

Suitable Only For Use As Service Equipment

For Overhead or Underground Service

Use 60/75° C Copper or Aluminum Conductor in

Terminals A1, B1, A2, B2, A3, B3, N1, N2, N3, N4 and G1.

Line terminals A1 and B1 are installed for underground service entry as shown in the wiring diagram. For overhead entry, reposition wire connectors from A1 and B1 to A2 and B2. Torque the sems nut to 40-45 lb in.

Unused neutral branch terminals may be used to terminate equipment grounding wires in the combinations indicated for equipment ground bar terminals.

General Information:

Circuit breaker trip position is indicated by handle position midway between ON and OFF. To reset, move handle to OFF position then turn ON. For installation by Qualified Person in accordance with all local electrical codes and/or the National Electrical Code.®

Terminal	Wire Size	Torque
A1, B1, A2, B2	300kcmil - #4	250 lb. in.
A3, B3	250kcmil - #4	250 lb. in.
N1, N3	250kcmil - #4	250 lb. in.
G1, N2, N4	2/0 - #14	50 lb. in.
Branch Breaker Terminals	See Markings on Breaker	
Neutral Bar	#10 - #14 CU #10 - #12 AL #8	20 lb. in. 20 lb. in. 35 lb. in.
Ground Bar Conductors only	(2) or (3) #14 (2) #12 - #10	20 lb. in. 20 lb. in.

Trade size (in)	Catalog number
RX Type Hub (top endwall)	
1 1/4"	EC38597
1 1/2"	EC38598
2"	EC38599
2 1/2"	EC38600
HC Type Hub (bottom endwall)	
2"	ECHC200
2 1/2"	ECHC250
3"	ECHC300

If hub is required, use the catalog numbers listed below (for Surface mount devices only):

Accessories:
Filler Plate

5" Jaw Assembly
Mechanical Interlock
Meter Socket Jumper
QF3 or
ECQF3
EMC5J
ECQML12
ECJS

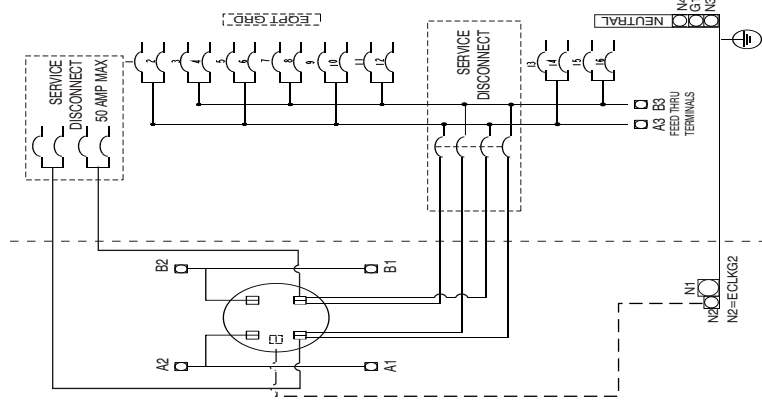
Ground Bars:

Catalog #
ECGB5
ECGB10
ECGB14
ECGB20

Lug Kits:
Catalog #
ECLK1-2
ECLK2
ECLKG2

Wire Range
Torque
2/0 - #2
2/0 - #4
2/0 - #14

Taps
5
10
14
20



Short Circuit Current Rating (Watthour Meter not included in short circuit rating)

This panelboard has a short circuit current rating of 22,000 Amps RMS symmetrical, 120/240 V~. The correct branch circuit breakers and main/branch breaker series combinations to be used for various short circuit current levels are listed in the tabulation below. Any circuit breaker installed, replaced, or added in this panelboard must be manufactured by Siemens and must be of the correct type as indicated in the tabulations below.

Main Breaker	Branch Breaker
When the main breaker is: EQ9985	Then the maximum short circuit rating in RMS symmetrical amperes, 120/240V~ is: 22,000

When the main breaker is: QP, QPF, QPFH, QPH, QAF, QAFH, QE, QEH, QT

Siemens Energy & Automation, Inc. Alpharetta, Georgia U.S.A.

MANUFACTURING DATE:

J2

4099845 REV. C

Important Do not spray or allow any petroleum based chemicals, solvents, or paint to contact interior components.
©The National Electrical Code is a registered trademark of the National Fire Protection Association.
©2004 Copyright Siemens Energy & Automation, Inc. ASSEMBLED IN MEXICO