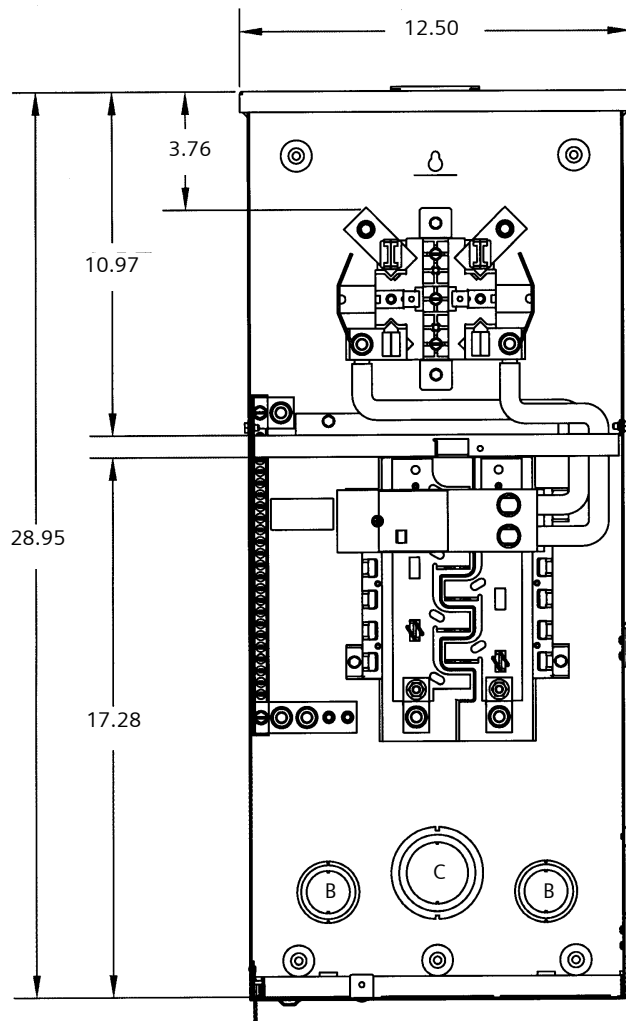


Meter/Load Center Combinations

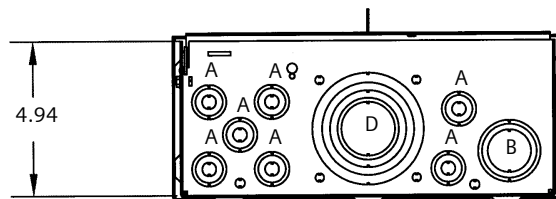
FEATURES

- UL Listed only for use as service entrance equipment
- Overhead feed only
- Side hinged door, only one screw required to remove door
- Captive deadfront screw
- 22K AIC rating
- Meter socket jaw guides provided on ringless devices
- Ring and ringless versions available
- 5th jaw option available
- Surface mount
- NEMA Type 3R enclosure with painted, G90 galvanized steel Alstan[®] tin-plated aluminum bus bars
- Feed-thru lugs



Knockout Code

- | | |
|---|----------------------------------|
| A | = 1/2", 3/4" |
| B | = 1", 1-1/4", 1-1/2" |
| C | = 1-1/2", 2", 2-1/2" |
| D | = 1-1/4", 1-1/2", 2", 2-1/2", 3" |



Meter Socket Ampere Rating	Catalog Number	Max. 1" Spaces	Max. Circuits	Phase	Main Ampere Rating	Number of Jaws	Type of Bypass	Type of Cover
200	MC0816B1150T	8	16	Single	150	4	None	Ring
200	MC0816B1200T	8	16	Single	200	4	None	Ring
200	MC0816B1200RT	8	16	Single	200	4	None	Ringless

Family Type F

fastfax

SIEMENS

SIEMENS

Rainproof Combination Metering

Catalog number
MC0816B1150T

Enclosure
Type 3R

Panelboard Rating
150 Amps
120/240 Volts A. C., 1 phase, 3 wire
208Y/120 Volts A. C., 1 phase, 3 wire
(Derived from 3 phase – 4 wire system)

Meter Socket Rating
200 Amps Continuous

Suitable Only For Use As Service Equipment

Only single pole circuit breakers rated greater than 30 amps may be used to comply with Lighting and Appliance Panelboard requirements.

For Overhead Service Use 60/75° C Copper or Aluminum Conductor

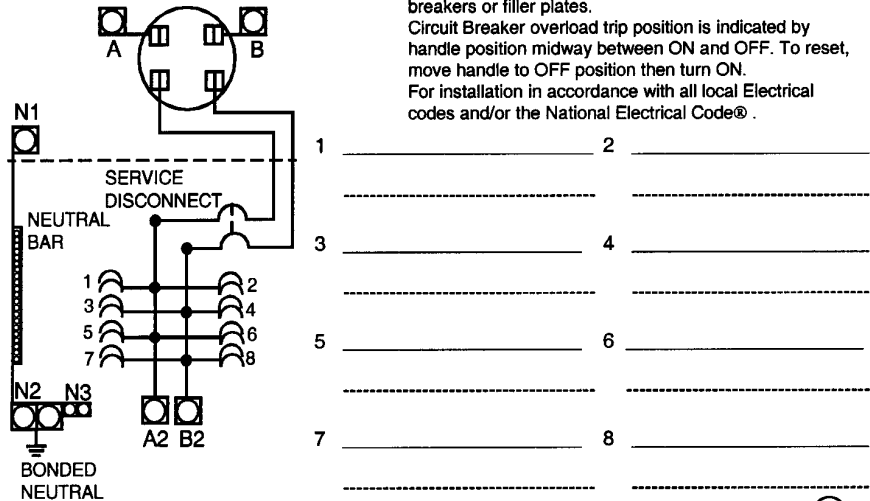
in Terminals A, B, N1, N2, N3, A2, and B2
Sum of QP, QT, QPF, MP-T, MH-T, MP-GT Breakers not to exceed 80 amps per stab.
AFCI and 2-Pole GFCI breakers may be installed in positions 1, 3, 5, and 7 only.

Terminal	Wire Size	Torque
A, B	350 kcmil - #6	275 lb in
N1	250 kcmil - #6	275 lb in
N2	250 kcmil - #6	275 lb in
N3	2/0-#14	120 lb in
A2, B2	300 kcmil - #4	275 lb in
Neutral bar	#10-14 Cu/ #10-12 Al	20 lb in
	#8	25 lb in
	#6-4	35 lb in
Branch Breakers	See Markings on Breaker	

Accessories
Filler Plate Cat. No. QF3

Trade size (in)	Catalog number
1 ¼"	WRX125
1 ½"	WRX150
2"	WRX200
2 ½"	WRX250

General Information:
Remove twistouts from deadfront only where breakers will be installed. All openings must be filled with breakers or filler plates.
Circuit Breaker overload trip position is indicated by handle position midway between ON and OFF. To reset, move handle to OFF position then turn ON.
For installation in accordance with all local Electrical codes and/or the National Electrical Code®.



Short Circuit Current Rating (Wathour Meter not included in short circuit rating) E10703 (M)
This panelboard has a Siemens Type QNRH or Murray Type MD-HTR circuit breaker installed and has a maximum short circuit rating of 22,000 RMS symmetrical amperes, 120/240 volts AC. Any circuit breaker replaced or added in this panelboard must be manufactured by Siemens and must be the types listed below.

Main Breaker	Branch Breaker	Then the maximum short circuit rating in RMS symmetrical amperes, 120/240 Volts AC is:
When the Main Breaker is:	And the branch breakers installed are Siemens or Murray Type:	
QNRH or MD-HTR	QP, QT, QPF, QPHF, QE, QEH, QAF, QAFH, QNR, MP-T, MP-GT, MP-HGT, MP-HT, MH-T, MP-AT, MP-HAT, MP-ET, MP-HET, MD-TR	22,000

Siemens Energy & Automation, Inc.
Alpharetta, Georgia U.S.A.

Part No. 4099552 Rev C

Important

This equipment has been designed for use only with Siemens or Murray Type Circuit Breakers. Use of other circuit breakers in this equipment will void the warranty.
Do not spray or allow any petroleum based chemicals, solvents, or paint to contact interior components.
© The National Electrical Code is a recognized trademark of National Fire Protection Association.

SIEMENS

Rainproof Combination Metering

Catalog number
MC0816B1200T

Enclosure
Type 3R

Panelboard Rating
200 Amps
120/240 Volts A. C., 1 phase, 3 wire
208Y/120 Volts A. C., 1 phase, 3 wire
(Derived from 3 phase – 4 wire system)

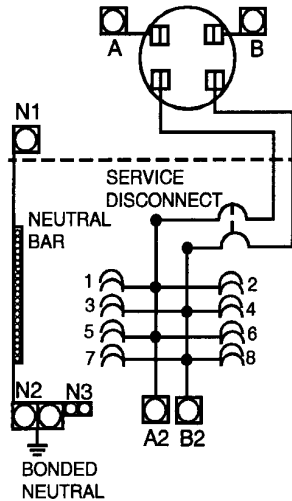
Meter Socket Rating
200 Amps Continuous

Suitable Only For Use As Service Equipment

Only single pole circuit breakers rated greater than 30 amps may be used to comply with Lighting and Appliance Panelboard requirements.

For Overhead Service Use 60/75° C Copper or Aluminum Conductor in Terminals

A, B, N1, N2, N3, A2, and B2
Sum of QP, QT, QPF, MP-T, MH-T, MP-GT
Breakers not to exceed 80 amps per stab.
AFCI and 2-Pole GFCI breakers may be installed in positions 1, 3, 5, and 7 only.



Terminal	Wire Size	Torque
A, B	350 kcmil - #6	275 lb in
N1	250 kcmil - #6	275 lb in
N2	250 kcmil - #6	275 lb in
N3	2/0-#14	120 lb in
A2, B2	300 kcmil - #4	275 lb in
Neutral bar	#10-14 Cu/ #10-12 Al	20 lb in
	#8	25 lb in
	#6-4	35 lb in
Branch Breakers	See Markings on Breaker	

Accessories
Filler Plate Cat. No. QF3

If hub is required, the catalog numbers listed below may be used on this enclosure

Trade size (in)	Catalog number
1 ¼"	WRX125
1 ½"	WRX150
2"	WRX200
2 ½"	WRX250

General Information:

Remove twistouts from deadfront only where breakers will be installed. All openings must be filled with breakers or filler plates.

Circuit Breaker overload trip position is indicated by handle position midway between ON and OFF. To reset, move handle to OFF position then turn ON.

For installation in accordance with all local Electrical codes and/or the National Electrical Code®.

1 _____	2 _____
3 _____	4 _____
5 _____	6 _____
7 _____	8 _____

Short Circuit Current Rating (Wattour Meter not included in short circuit rating)

This panelboard has a Siemens Type QNR or Murray Type MD-HTR (rated 22k AIC) circuit breaker installed and has a maximum short circuit rating of 22,000 RMS symmetrical amperes, 120/240 volts AC. Any circuit breaker replaced or added in this panelboard must be manufactured by Siemens and must be the types listed below.

E10703 (M)

Main Breaker	Branch Breaker	Then the maximum short circuit rating in RMS symmetrical amperes, 120/240 Volts AC is:
When the Main Breaker is:	And the branch breakers installed are Siemens or Murray Type:	22,000
QNRH or MD-HTR	QP, QT, QPF, QPHF, QE, QEH, QAF, QAFH, QNR, MP-T, MP-GT, MP-HGT, MP-HT, MH-T, MP-AT, MP-HAT, MP-ET, MP-HET, MD-TR	

Siemens Energy & Automation, Inc.
Alpharetta, Georgia U.S.A.

Part No. 4099553 Rev C

Important

This equipment has been designed for use only with Siemens or Murray Type Circuit Breakers. Use of other circuit breakers in this equipment will void the warranty.

Do not spray or allow any petroleum based chemicals, solvents, or paint to contact interior components.

© The National Electrical Code is a recognized trademark of National Fire Protection Association.

SIEMENS

Rainproof Combination Metering

Catalog number
MC0816B1200RT

Enclosure
Type 3R

Panelboard Rating
200 Amps
120/240 Volts A. C., 1 phase, 3 wire
(Derived from 3 phase – 4 wire system)

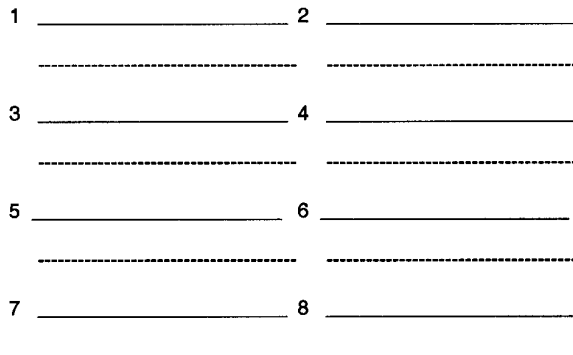
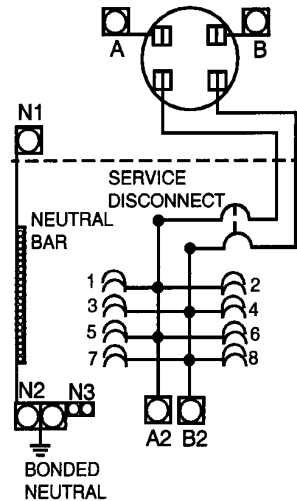
Meter Socket Rating
200 Amps Continuous

Suitable Only For Use As Service Equipment

Only single pole circuit breakers rated greater than 30 amps may be used to comply with Lighting and Appliance Panelboard requirements.

For Overhead Service Use 60/75° C Copper or Aluminum Conductor

in Terminals A, B, N1, N2, N3, A2, and B2.
Sum of QP, QT, QPF, MP-T, MH-T, MP-GT Breakers not to exceed 80 amps per stab.
AFCI and 2-Pole GFCI breakers may be installed in positions 1, 3, 5, and 7 only.



Terminal	Wire Size	Torque
A, B	350 kcmil - #6	275 lb in
N1	250 kcmil - #6	275 lb in
N2	250 kcmil - #6	275 lb in
N3	2/0-#14	120 lb in
A2, B2	300 kcmil - #4	275 lb in
Neutral bar	#10-14 Cu/ #10-12 Al	20 lb in
	#8	25 lb in
	#6-4	35 lb in
Branch Breakers	See Markings on Breaker	

Accessories
Filler Plate Cat. No. QF3

If hub is required, the catalog numbers listed below may be used on this enclosure

Trade size (in)	Catalog number
1 ¼"	WRX125
1 ½"	WRX150
2"	WRX200
2 ½"	WRX250

General Information:

Remove twistouts from deadfront only where breakers will be installed. All openings must be filled with breakers or filler plates.

Circuit Breaker overload trip position is indicated by handle position midway between ON and OFF. To reset, move handle to OFF position then turn ON.

For installation in accordance with all local Electrical codes and/or the National Electrical Code®.

Short Circuit Current Rating (Watthour Meter not included in short circuit rating)

This panelboard has a Siemens Type QNHR or Murray Type MD-HTR circuit breaker installed and has a maximum short circuit rating of 22,000 RMS symmetrical amperes, 120/240 volts AC. The actual rating is equal to the lowest rating of any breaker installed. Any circuit breaker replaced or added in this panelboard must be manufactured by Siemens and must be the types listed below.

E10703 (M)

Main Breaker	Branch Breaker	Then the maximum short circuit rating in RMS symmetrical amperes, 120/240 Volts AC is:
When the Main Breaker is:	And the branch breakers installed are Siemens or Murray Type:	
QNRH or MD-HTR	QP, QT, QPF, QPHF, QE, QEH, QAF, QAFH, QNR, MP-T, MP-GT, MP-HGT, MP-HT, MH-T, MP-AT, MP-HAT, MP-ET, MP-HET, MD-TR	22,000

Siemens Energy & Automation, Inc.
Alpharetta, Georgia U.S.A.

Part No. 4099531 Rev D

Important

This equipment has been designed for use only with Siemens or Murray Type Circuit Breakers. Use of other circuit breakers in this equipment will void the warranty.

Do not spray or allow any petroleum based chemicals, solvents, or paint to contact interior components.

© The National Electrical Code is a recognized trademark of National Fire Protection Association.