

SIEMENS

Indoor Riser Load Center

Catalog Number
R1224ML1125CU

Series
F

Enclosure
Type 1

Ratings:

125Amp. Max. See Main Breaker Rating
120/240 Volts~ 1 Phase 3 Wire
208Y/120 Volts~ 1 Phase 3 Wire

Sum of Q/T breaker rating not to exceed
110 amps per branch circuit bus stab.

Single pole circuit breakers with a single handle are not permitted for use in a two wire circuit connected to a three wire system.

Maximum Breaker size when using 75°C Wire

Left Side	Right Side
CU 110A	CU 60A
AL 90A	AL 50A

Line Terminals A, B and N

Suitable for 60/75°C Conductors
Wire Size

Copper and Aluminum #4-2/0 AWG
Torque Terminals to 135 lb-ins.

Load Terminals

See markings on breaker for torque requirements and conductor rating.

LK1-2 Lug Kit

Suitable for 60/75°C Conductors
Wire Size Copper and Aluminum #2-2/0 AWG
Torque Terminals to 45 lb-ins.

General Information:

Remove twistouts from trim only where breakers will be installed. All openings must be filled with breakers or filler plates. Circuit breaker overload trip position is indicated by handle position midway between ON and OFF. To reset, move handle to OFF position then turn ON.

Ground Bar Wire Size

Copper:
One #14-#4 AWG, or Two or Three #14-#10 AWG.
Aluminum:
One #12-#4 AWG, or Two or Three #12-#10 AWG.

Neutral Bar Wire Size	
Wire Size	Tightening Torque
14-10 AWG CU	20 lb-in.
12-10 AWG AL	20 lb-in.
8 AWG CU/AL	25 lb-in.
6 AWG CU/AL	35 lb-in.
4 AWG CU/AL	45 lb-in.

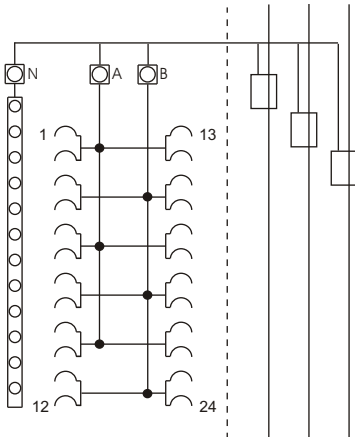
Ground Bars	
Description	Taps
GB5	5
GB10	10
GB14	14
GB20	20

Accessories	
Description	Cat. No.
Door Lock	QFL2
Filler Plate	QF3
2/0 Branch NTL Terminal	LK1-2
100A Main Breaker Kit	MBK100
125A Main Breaker Kit	MBK125

Lug Kit Installation

- Strip wire per gauge on protective cover spacing cuts about 2-1/2" apart. Make main and tap connections.
- Place each connector with wires into protective cover.
- Snap protective cover closed.
- See markings on lug kit for torque requirements.

ACCEPTABLE GUTTER TAP KITS	AL/CU WIRE RANGE	
	MAIN	TAP
SIEMENS RLK250 (LUGS & COVERS)	250 kcmil - 1/0 AWG	250 kcmil - 6 AWG
ILSCO KITS REQUIRE THREE EACH OF: GTA250-250 LUG GTC250-350 COVER	250 kcmil - 1/0 AWG	250 kcmil - 6 AWG
ILSCO KITS REQUIRE THREE EACH OF: GTA500-500 LUG GTC500 COVER	500 - 350 kcmil	500 kcmil - 2 AWG



DIRECTORY	
1	
2	
3	
4	
5	
6	
7	
8	
9	
10	
11	
12	

DIRECTORY	
13	
14	
15	
16	
17	
18	
19	
20	
21	
22	
23	
24	

Short Circuit Current Rating: This panelboard has a maximum short circuit current rating of 22,000 Amps RMS symmetrical, 120/240 V~. The actual rating is dependent on the branch breakers installed and the panelboard main breaker, if any. If no main breaker is used the actual rating is equal to the lowest interrupting rating of any installed breaker. The correct panelboard main/branch breaker series combinations to be used are listed in the tabulation below. Any circuit breaker installed, replaced, or added in this panelboard must be manufactured by Siemens and must be of the correct type as indicated in the tabulation below. Use of other circuit breakers in this equipment will void the warranty.

Panelboard Main	Branch Breaker	Then the maximum short circuit current rating in RMS symmetrical Amperes, 120/240 V~ is
When the installed main breaker in this panelboard is a Siemens Type	And the branch breakers installed are Siemens Type	
None, EQ9675 or EQ9677	QP, QT, QPH, HQP, QPF, QPHF, QE, QEH, QAF, QAFH	10,000
EQ9675 or EQ9677	QP, QT, QPH, HQP, QPF, QPHF, QE, QEH, QAF, QAFH	22,000
None	QPH, HQP, QPHF, QEH, QAFH	22,000

Siemens Energy & Automation, Inc. Alpharetta, Georgia U.S.A.

T

4095951 Rev.B

Important

Do not spray or allow any petroleum based chemicals, solvents or paint to contact interior components.

⚠ DANGER

Hazardous Voltage. Will cause death, serious injury or substantial property damage.

Turn off power supplying this equipment before working inside.



⚠ PELIGRO

Voltaje peligroso. Causará la muerte, lesiones graves o daño substancial a la propiedad.

Desconecte el suministro de energía a este equipo antes de trabajar en su interior.