

# SIEMENS

## Fusible Pullouts

### 600 Volt Maximum 30, 60, 100 & 200 Amp Class T Fuse

Siemens class T fusible pullouts are an inexpensive solution to today's high available fault current problems. This quality molded device marries time tested pullout simplicity of design with today's class T fuse current limiting technology to provide excellent circuit protection for many residential and light commercial applications.

The product is designed to be physically interchangeable with Siemens I-T-E Types QJ2, QJH2 and QJ2-H circuit breakers. The switch can be mounted in a circuit breaker style line and load bus arrangement, cable arrangement, or any bus and cable combination. Each pullout switch is provided with wire connectors mounted line and load for installer convenience.

Typical installation applications include metering and service equipment, control panels and panelboards.



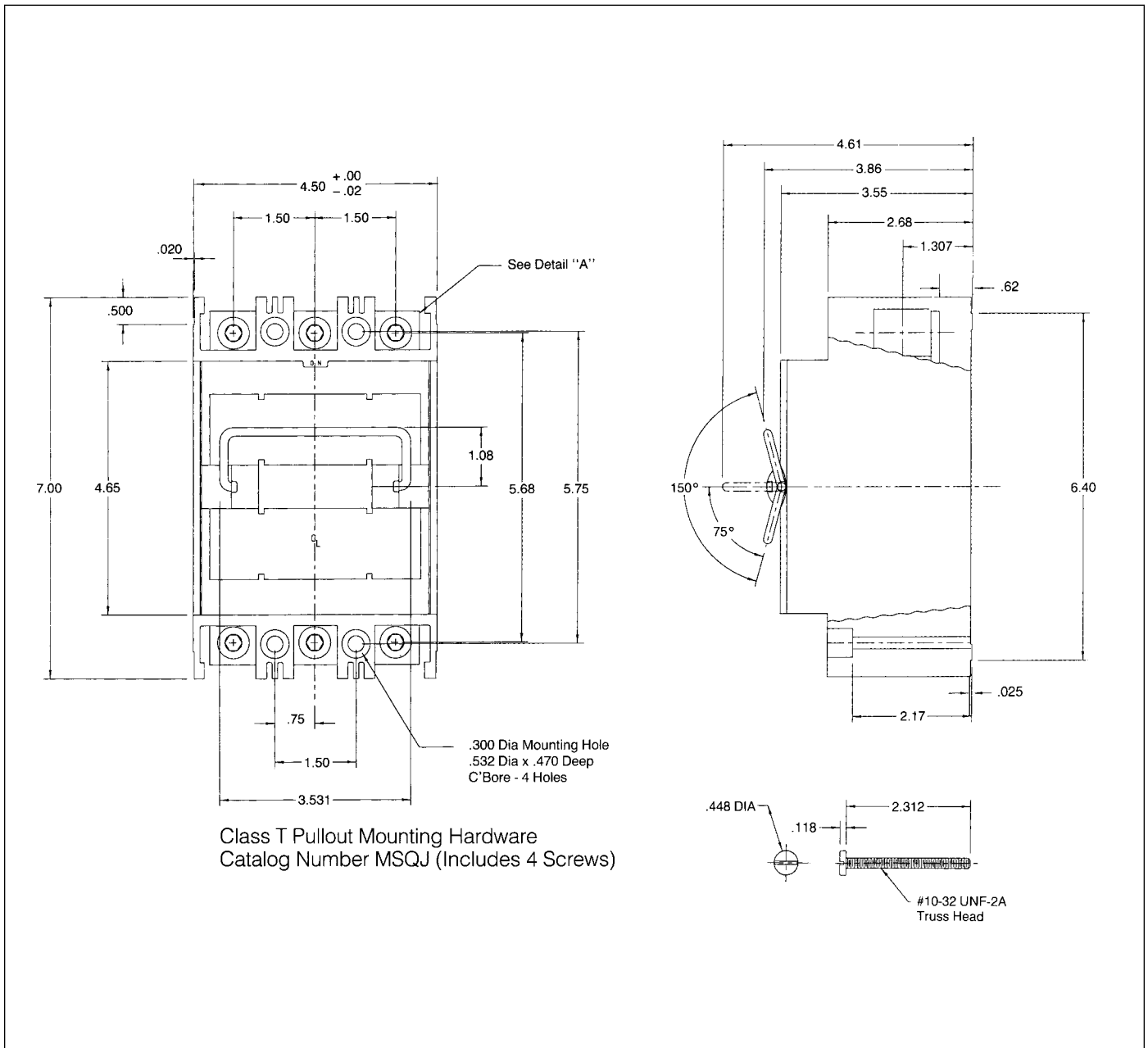
Ampere Rating	Catalog Number			
	240 Volts AC		600 Volts AC	
	2 Pole	3 Pole	2 Pole	3 Pole
30	TFP221	TFP321	TFP261	TFP361
60	TFP222	TFP322	TFP262	TFP362
100	TFP223	TFP323	TFP263	TFP363
200	TFP224	TFP324	TFP264	TFP364

Rating: Class T fuse pullout switches are rated 30, 60, 100 and 200 Amperes at 240 and 600 volts AC and are UL Listed for use on circuits having available fault currents not exceeding 200,000 RMS symmetrical Amperes.

Tests: Pullouts are tested in accordance with UL 1429 and Listed as "Pullout Switch – Detachable Type" under File No. E118778.

Fuses: 240 Volt pullouts require 300 Volt class T fuses, 600 Volt pullouts require 600 Volt class T fuses.

# Fusible Pullouts Dimensions



## Wire Connectors Included

Pullout Ampere Rating	Catalog Number	Connector Wire Range
30 and 60	TA1T060	(1 pc.) #14 - #2 CU/AL
100 and 200	TA1Q300	(1 pc.) #6 - 300 kcmil CU (1 pc.) #4 - 300 kcmil AL

Siemens Energy & Automation, Inc.  
Distribution Products Division  
3333 Old Milton Parkway  
Alpharetta, GA 30005

For Nearest Sales Office  
**1.800.964.4114**  
[www.sea.siemens.com/sales/salesoffices.html](http://www.sea.siemens.com/sales/salesoffices.html)