

SIEMENS

9510 / 9610 Power Meter

Installation Guide



	<h1 style="text-align: center; margin: 0;">DANGER</h1> <p style="margin: 5px 0;">Electrical equipment contains hazardous voltages and high speed moving parts. Can cause death, serious injury or property damage. See safety instruction contained herein. Restrict use to qualified personnel.</p>
---	--

The use of unauthorized parts in the repair of the equipment or tampering by unqualified personnel will result in dangerous conditions that can cause death, serious injury or property damage.

IMPORTANT

The information contained herein is general in nature and not intended for specific application purposes. It does not relieve the user of responsibility to use sound practices in application, installation, operation, and maintenance of the equipment purchased. Siemens reserves the right to make changes at any time without notice or obligations. Should a conflict arise between the general information contained in this publication and the contents of drawings or supplementary material or both, the latter shall take precedence.

QUALIFIED PERSONNEL

For the purposes of this manual and product labels, "qualified personnel" is one who is familiar with the installation, construction, or operation of the equipment and the hazards involved. In addition, s/he has the following qualifications:

- (a) **is trained and authorized** to energize, de-energize, clear, ground, and tag circuits and equipment in accordance with established safety practices.
- (b) **is trained** in the proper care and use of protective gear equipment such as rubber gloves, hard hat, safety glasses or face shields, flash clothing, etc., in accordance with established safety procedures.
- (c) **is trained** in rendering first aid.

SUMMARY

These instructions do not purport to cover all details or variations in equipment, nor to provide for every possible contingency to be met in connection with installation, operation, or maintenance. Should further information be desired or should particular problems arise which are not covered sufficiently for the purchaser's purposes, the matter should be referred to the local the sales office.

THE CONTENTS OF THIS INSTRUCTION MANUAL SHALL NOT BECOME PART OF OR MODIFY ANY PRIOR OR EXISTING AGREEMENT, COMMITMENT OR RELATIONSHIP. THE SALES CONTRACT CONTAINS ALL OBLIGATIONS OF SIEMENS ENERGY & AUTOMATION, INC. THE WARRANTY CONTAINED IN THE CONTRACT BETWEEN THE PARTIES IS THE SOLE WARRANTY OF SIEMENS ENERGY & AUTOMATION, INC.

ACCESS, ISGS, Isolated Multi-Drop, S7-I/O, SBwin, SAMMS-LV, SAMMS-MV, SEAbus, SIEServe, Static Trip III, Wisdom, and WinPM are trademark, Sensitrip and Sentron are registered trademarks of Siemens Energy & Automation, Inc. SIEMENS is a registered trademark and Windows is a trademark of Microsoft Corporation. ION is a registered trademark of Power Measurement Ltd. All other product names mentioned herein are used for identification purposes only and may be the trademarks or registered trademarks of their respective companies.

Standards Compliance



CSA: Certified to CAN/ CSA C22.2 No.1010-1 Certified to UL 3111

Installation Considerations

Installation and maintenance of the 9510/9610 meter should only be performed by qualified, competent personnel that have appropriate training and experience with high voltage and current devices. The meter must be installed in accordance with all Local and National Electrical Codes.

DANGER

Failure to observe the following instructions may result in severe injury or death.

- ◆ During normal operation of the 9510/9610 meter, hazardous voltages are present on its terminal strips, and throughout the connected potential transformer (PT), current transformer (CT), digital (status) input, control power and external I/O circuits. PT and CT secondary circuits are capable of generating lethal voltages and currents with their primary circuit energized. Follow standard safety precautions while performing any installation or service work (i.e. removing PT fuses, shorting CT secondaries, etc).
- ◆ The terminal strips on the meter base should not be user-accessible after installation.
- ◆ Do not use digital output devices for primary protection functions. These include applications where the devices perform energy limiting functions or provide protection of people from injury. Do not use the 9510/9610 in situations where failure of the devices can cause injury or death, or cause sufficient energy to be released that can start a fire. The meter can be used for secondary protection functions.
- ◆ Do not HIPOT/Dielectric test the digital (status) inputs, digital outputs, or communications terminals. Refer to the label on the 9510/9610 meter for the maximum voltage level the device can withstand.

CAUTION

Observe the following instructions, or permanent damage to the meter may occur.

- ◆ The 9510/9610 meter offers a range of hardware options that affect input ratings. The 9510/9610 meter's serial number label lists all equipped options. Applying current levels incompatible with the current inputs will permanently damage the meter. This document provides installation instructions applicable to each hardware option.
- ◆ The 9510/9610 meter's chassis ground must be properly connected to the switchgear earth ground for the noise and surge protection circuitry to function correctly. Failure to do so will void the warranty.
- ◆ Terminal screw torque: Barrier-type (current, voltage, and relay terminal screws: 1.35 Nm (1.00 ft-lbf) max. Captured-wire type (digital inputs/outputs, communications, power supply: 0.90 Nm (0.66 ft.lbf) max.

FCC Notice

This equipment has been tested and found to comply with the limits for a Class A digital device, pursuant to Part 15 of the FCC Rules. These limits are designed to provide reasonable protection against harmful interference when the equipment is operated in a commercial environment. This equipment generates, uses, and can radiate radio frequency energy and, if not installed and used in accordance with the instruction manual, may cause harmful interference to radio communications. Operation of this equipment in a residential area is likely to cause harmful interference in which case the user will be required to correct the interference at his own expense. The Ringer Equivalence Number (REN) for the 9510/9610 optional internal modem is 0.6. Connection to the 9510/9610 internal modem should be made via an FCC Part 68 compliant telephone cord (not supplied). The 9510/9610 cannot be used on a public coin phone service or party line services.

Network Compatibility Notice for the Internal Modem

The internal modem in meters equipped with this option is compatible with the telephone systems of most countries in the world, with the exception of Australia and New Zealand. Use in some countries may require modification of the internal modem's initialization strings. If problems using the modem on your phone system occur, please contact Siemens Customer Service

9510 / 9610 Models

Integrated Display Model

Comes with front optical port.

TRAN (transducer) Model

The TRAN model has no display.

Remote Terminal Unit (RTU)

The RTU (9510 only) has no power metering capability.

Available Options

		Option				
		Form Factor	Current Inputs	COM	I/O	Security
Model	9510	<ul style="list-style-type: none"> ◆ Integ. Display ◆ TRAN ◆ 5 MB memory ◆ 10 MB memory ◆ Up to 256 sampling rate 	<ul style="list-style-type: none"> ◆ Standard (5 Amp) ◆ 1 Amp ◆ Current probes 	<ul style="list-style-type: none"> ◆ Standard (RS-232, RS-485, optical) ◆ Ethernet RJ45 ◆ Ethernet Fiber ◆ Modem 	<ul style="list-style-type: none"> ◆ Standard (8 digital inputs, 3 Form C relays, 4 Form A outputs) ◆ Extra 8 digital inputs ◆ Four 0-1mA analog inputs ◆ Four 0-20 mA analog inputs ◆ Four -1 to 1mA analog outputs ◆ Four 0-20 mA analog outputs 	<ul style="list-style-type: none"> ◆ Standard¹ ◆ RMANSI²
		Power Supply				
		<ul style="list-style-type: none"> ◆ Standard ◆ Low Voltage DC 				
	9610	<ul style="list-style-type: none"> ◆ Integ. Display ◆ TRAN ◆ 5 MB memory ◆ 10 MB memory ◆ Up to 512 sampling rate (standard) ◆ 1024 sampling rate (optional) ◆ EN50160 compliance 	<ul style="list-style-type: none"> ◆ Same as 9510 	<ul style="list-style-type: none"> ◆ Same as 9510 	<ul style="list-style-type: none"> ◆ Same as 9510 	<ul style="list-style-type: none"> ◆ Same as 9510
	Power Supply					
	<ul style="list-style-type: none"> ◆ Same as 9510 					
	9510 RTU	<ul style="list-style-type: none"> ◆ Integ. Display ◆ TRAN ◆ 5 MB memory ◆ 10 MB memory 	<ul style="list-style-type: none"> ◆ N/A 	<ul style="list-style-type: none"> ◆ Same as 9510 	<ul style="list-style-type: none"> ◆ Same as 9510 	<ul style="list-style-type: none"> ◆ Standard only
	Power Supply					
	<ul style="list-style-type: none"> ◆ Same as 9510 					

Notes

¹ Standard = password protected, no locking or sealing.

² RMANSI = ANSI C12.16 approved; meets ANSI C12.20 class 0.2 accuracy standards.

Before You Begin

Before installing the meter, familiarize yourself with the steps in this guide and read the safety precautions presented on the “Installation Considerations” page.

DANGER

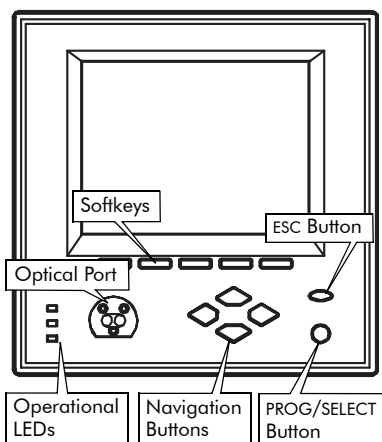
Do not power up the meter until the current and voltage wiring is completed.

Recommended Tools

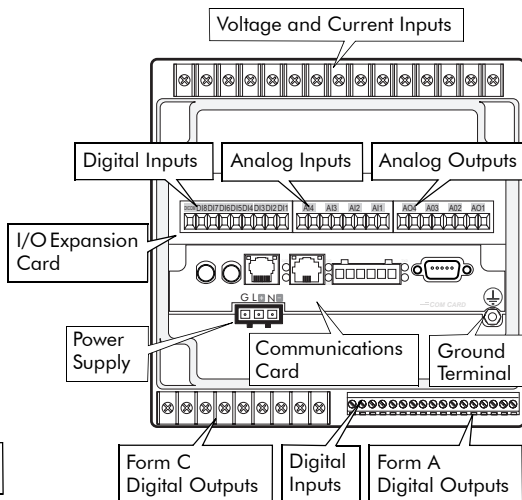
- ◆ Phillips screwdriver
- ◆ Precision flat-head screwdriver
- ◆ Wire cutters / stripper

Meter Overview

Meter Front



Meter Back



Front Panel Button Functions



PROG/SELECT: Press the PROG/SELECT (program or select) button to enter Setup mode. In Setup mode, press the PROG/SELECT button to accept changes.



ESC: Press the ESC (Escape) button to return to a higher menu or discontinue a configuration change.



NAVIGATION: Press the UP / DOWN arrow buttons to highlight menu items, or increment / decrement numbers.

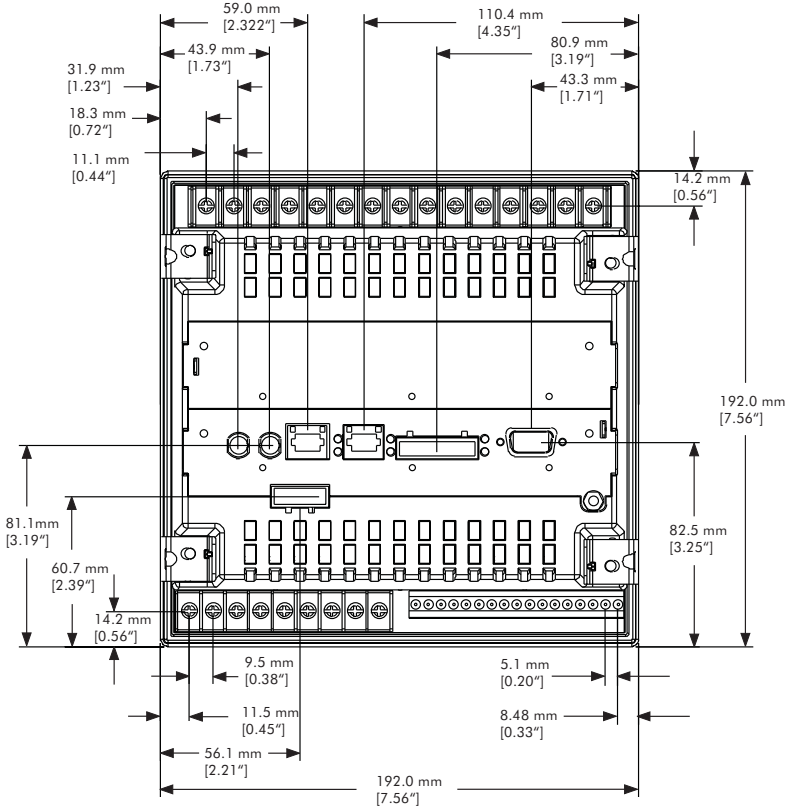
Press the LEFT or RIGHT arrow buttons to move to an adjacent digit.



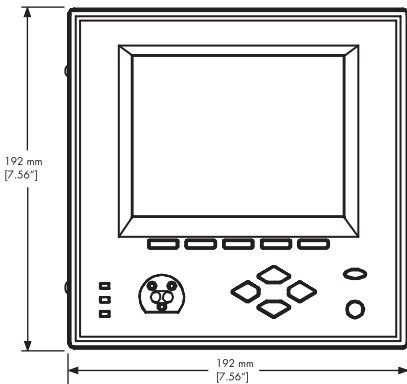
SOFTKEY: Press a SOFTKEY button to select the parameter that you want to configure from the sub-menus.

Unit Dimensions

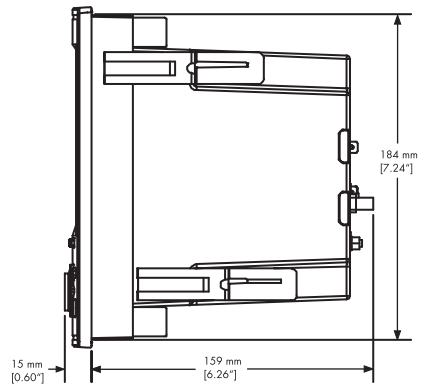
Basic Model – Rear View



Basic Model – Front View



Basic Model – Side View



Step 1: Mount the Meter

Environmental Specifications

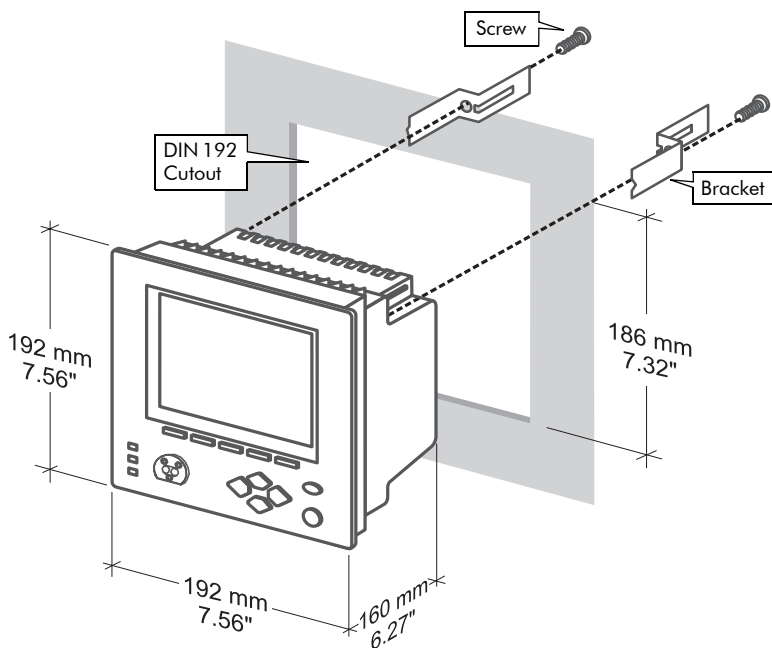
Mounting Location	Indoor use
Operating Range	-20 to +70°C (-4 to +158°F) Standard Power Supply -20 to +50°C (-4 to +122°F) Low Voltage DC Power Supply No formation of ice
Display Operating Range	-20 to +70°C (-4 to +158°F)
Storage Range	-40 to +85°C (-40 to +185°F)
Relative Humidity Range	5 to 95% non-condensing

Meter Battery Considerations

The meter's battery life expectancy depends on both temperature and the amount of time the meter is without power. For typical installations, the battery should last 20 years or more. If the meter is not powered, the battery will last a minimum of 7 years at room temperature.


Integrated Display Model

1. Fit the meter into the DIN standard 192 cutout (186 mm by 186 mm).
2. Slide the four brackets into their slots on the back of the meter and secure using the four Phillips head screws. Do not overtighten.



Step 2: Wire the Ground Terminal

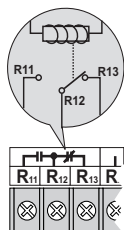


Connect the  terminal to a good earth ground with a 2.1 mm² (14 AWG) wire. Ensure that the terminal nut is tightened down securely onto the ground wire. Do not use metal door hinges as a grounding point.

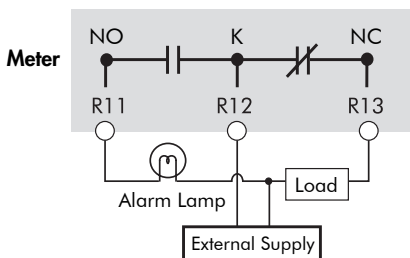
Step 3: Wire the Digital I/O and Analog I/O

Form C Digital Outputs: Mechanical Relays R1 - R3

Internal Form C Mechanical Relay



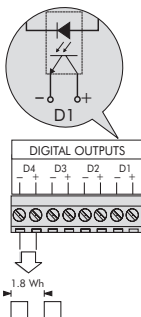
Type	Form C (R1, R2, R3)
Contacts	NO, K, NC
Wire	Use wiring that is appropriate for the application
Connector	Ring or split ring connector
Voltage Rating	250 VAC / 30 VDC
Rated Load @	Resistive: 10 A (AC/DC)
Rated Voltage	Inductive (PF=0.4): 7.5 A (AC) / 5 A (DC)
Max. Voltage	380 VAC / 125 VDC between K and NO/NC
MOV Protection	300 V max. between NO and NC
Max. Load @	3 A (AC) / 0.2 A (DC)
Max. Voltage	
Turn-On Time	15 ms max.
Isolation	5,000 VAC for 60 s
Turn-Off Time	5 ms max.
Lifetime	No load = 10,000,000 operations Rated voltage and load = 100,000 operations
Update time	1/2 cycle or 1 s



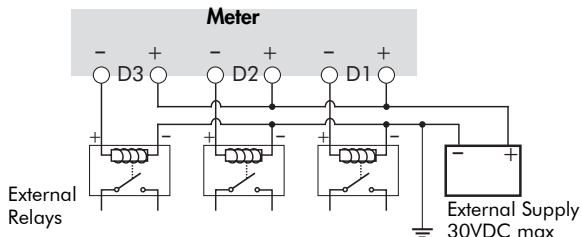
Mechanical relays should always be protected by external fuses

Form A Digital Outputs: Solid State Relays D1 - D4

Internal Form A Solid State Relay

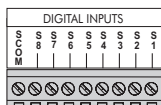


Type	Form A (D1, D2, D3, D4)
Wire	1.3 to 0.1 mm ² (16 to 28 AWG)
Signal Type	Continuous or pulse
Max. Load Voltage	30 VDC
Max. Load Current	80 mA per channel
Isolation	Optically isolated; max. 5,000 V RMS isolation (UL-E91231)
Scan Time	1/2 cycle or 1 s



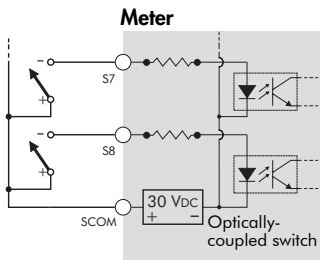
D4 output is factory-configured to pulse once every 1.8 Wh for Class 20 meters, or once every 0.18Wh for Class 2 meters (for calibration testing purposes).

Digital Inputs: S1 - S8

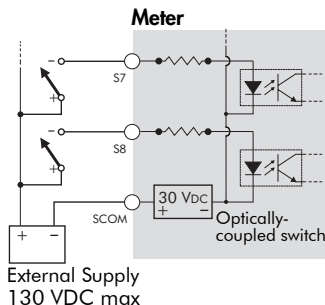


Type	Self-excited (internal 30 VDC supply)
Application	Dry contact sensing, or with external excitation
Wire	1.3 to 0.1 mm ² (16 to 28 AWG)
Min. Pulse Width	1 ms
Max. Pulse Rate	20 pulses per second
Timing Resolution	1 ms
Updated	½ cycle (after timing resolution)
Isolation to Ground	max. 200 VDC for 10s
Max. External Voltage	130 VDC continuous

Internal Excitation



External Excitation

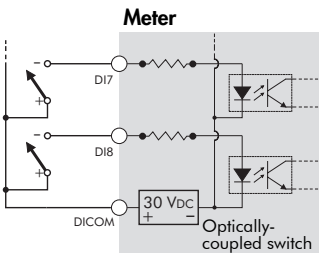


Digital Inputs (Meter Ordering Option): DI1 - DI8

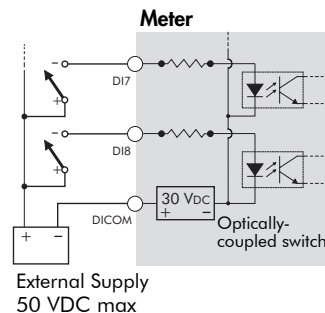


Type	Self excited (internal 30 VDC supply)
Application	Dry contact sensing, or with external excitation
Wire	1.3 to 0.1 mm ² (16 to 28 AWG)
Min. Pulse Width	20 ms
Max. Pulse Rate	25 pulses per second
Timing Resolution	2 ms
Updated	½ cycle (after timing resolution)
Isolation to Ground	750 VDC
Max. External Voltage	50 VDC continuous

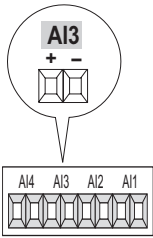
Internal Excitation



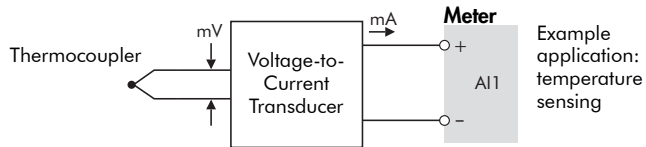
External Excitation



Analog Inputs (Meter Ordering Option): AI1 to AI4



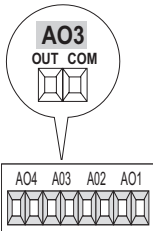
Type	Captured wire connector
Wire	1.3 to 0.1 mm ² (16 to 28 AWG)
Signal Type	DC current
Available Options	0 to 20 mA (scalable 4-20 mA) or 0 to 1 mA
Input Impedance	24 Ω (0-20 mA option) or 475 Ω (0-1 mA option)
Accuracy	+/- 0.3% of full scale
Update Rate	1 s
Isolation to Ground	750 V
Isolation Impedance	max 400 kΩ (channel/channel)



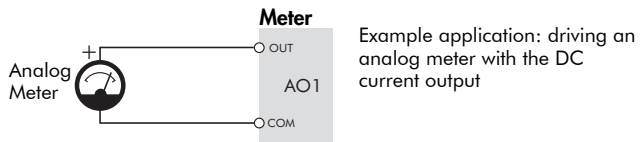
NOTE

Do not connect the analog inputs of the I/O card to the analog outputs on the same I/O card.

Analog Outputs (Meter Ordering Option): AO1 to AO4



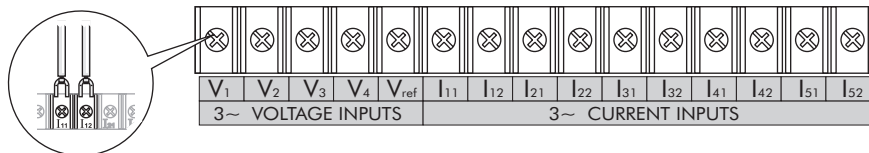
Type	Captured wire connector
Wire	1.3 to 0.1 mm ² (16 to 28 AWG)
Signal Type	DC current
Available Options	0 to 20 mA (scalable 4-20 mA) or -1 to 1 mA (scalable 0-1 mA)
Driving Capability	500 Ω (0-20 mA option) or 10 kΩ (-1 to 1 mA option)
Accuracy	+/- 0.30% of full scale
Update Rate	1/2 cycle or 1 s
Latency	min. 1 cycle for measurement + 1/2 cycle for ION + 1 s delay for hardware
Isolation to Ground	750 V



NOTE

Do not connect the analog outputs of the I/O card to the analog inputs on the same I/O card.

Step 4: Wire the Voltage and Current Inputs



Voltage Inputs

Connector Type	Ring or split ring connector
Wire Gauge	3.3 to 2.1 mm ² (12 to 14 AWG)
Rated Inputs	347 V L-N RMS /600 V L-L RMS
Fault Capture	1200 V L-N peak
Overload	1500 VAC RMS continuous
Dielectric Withstand	2500 VAC RMS at 60 Hz for 60 s
Input Impedance	5 MΩ per phase

Current Inputs: Class 20 Current Inputs (5A Option)

Connector Type	Ring or split ring connector
Wire Gauge	5.3 to 3.3 mm ² (10 to 12 AWG): Use 8.4 mm ² (8 AWG) for 10-20 A applications
Input Rating	5 A, 10 A, and/or 20 A RMS
Starting Current	0.005 A RMS
Fault Capture	70 A peak
Max. Voltage	600 V RMS (CAT III IEC61010-1)
Overload	500 A RMS for 1 s, non-recurring
Dielectric Withstand	2500 VAC RMS at 60 Hz for 60 s
Burden	0.05 VA per phase (at 5 A)
Impedance	0.002 Ω per phase

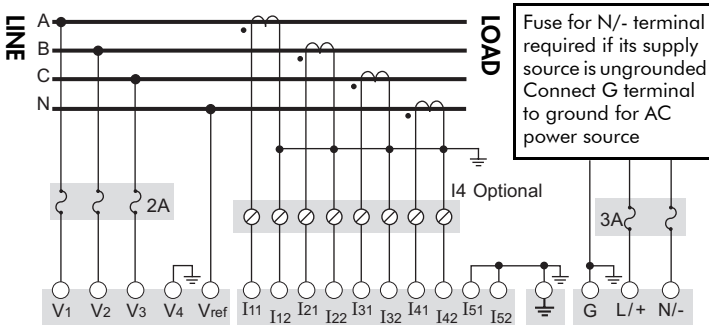
Current Inputs: Class 2 Current Inputs (1A Option)

Connector Type	Ring or split ring connector
Wire Gauge	5.3 to 3.3 mm ² (10 to 12 AWG)
Input Rating	1 A, 2 A, 5 A, and/or 10 A RMS
Starting Current	0.001 A RMS
Fault Capture	17.5 A peak
Max. Voltage	600 V RMS (CAT III IEC61010-1)
Overload	50 A RMS for 1s, non-recurring
Dielectric Withstand	2500 VAC RMS at 60 Hz for 60 s
Burden	0.015 VA per phase (at 1 A)
Impedance	0.015 Ω per phase

NOTE

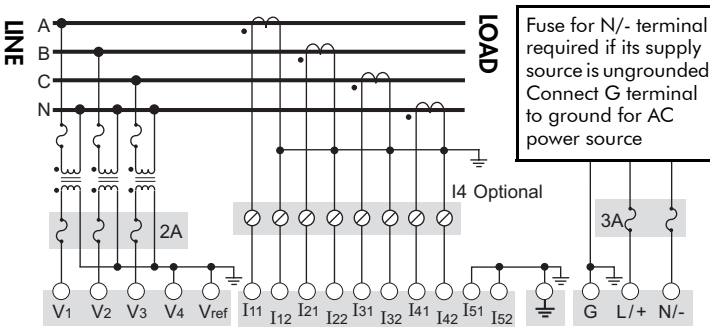
The appropriate Volts Mode setting is included with each wiring diagram. Refer to Step 8 to learn how to configure Volts Mode on the meter.

4-Wire Wye, 3-Element, Direct Connection Diagram



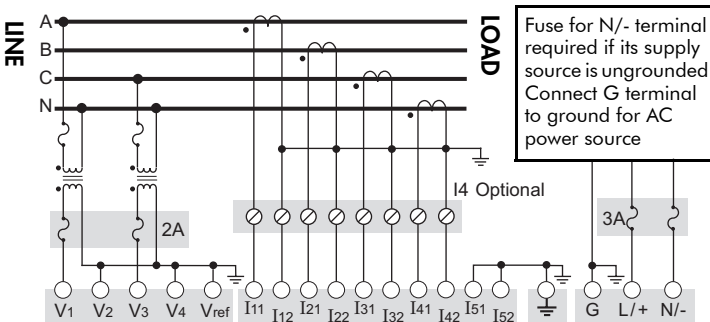
347 V L-N / 600 V L-L max.
VOLTS MODE = 4W-Wye

4-Wire Wye, 3-Element, 3 PTs Connection Diagram



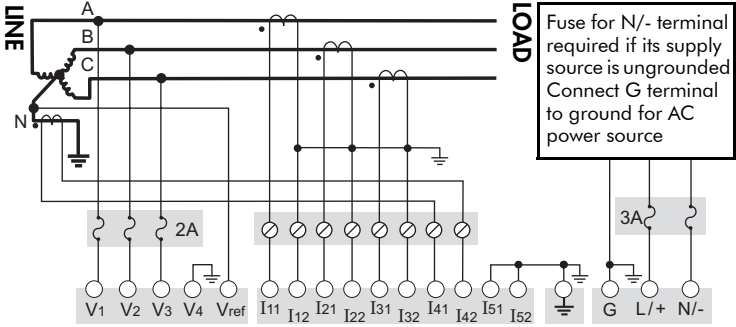
Use PTs for voltages over 347 V L-N / 600 V L-L.
Wye (Star) wiring for PT primaries and secondaries.
VOLTS MODE = 4W-Wye

4-Wire Wye, 2 1/2-Element, 2 PTs Connection Diagram



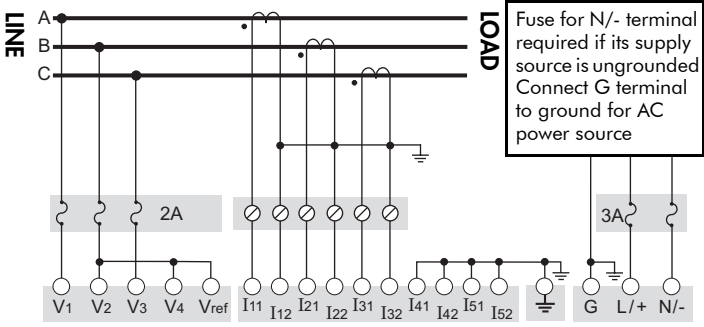
Phase B voltage (V2) displayed by meter is derived from phase A and phase C, not measured. V2 will display a value even if no voltage is present on Phase B. V2 values are only accurate for balanced loads.
VOLTS MODE = 3W-Wye

3-Wire Solid-Grounded Wye, 3-Element, Direct Connection



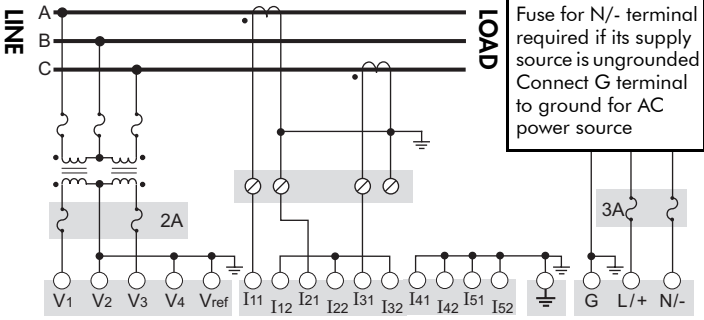
When the common or star point of a 3-wire Wye system is grounded, the meter may be connected directly without using PTs, provided that the phase voltages are within the meter's range.
VOLTS MODE = 4W-Wye

3-Wire Delta, 2½-Element, Direct Connection



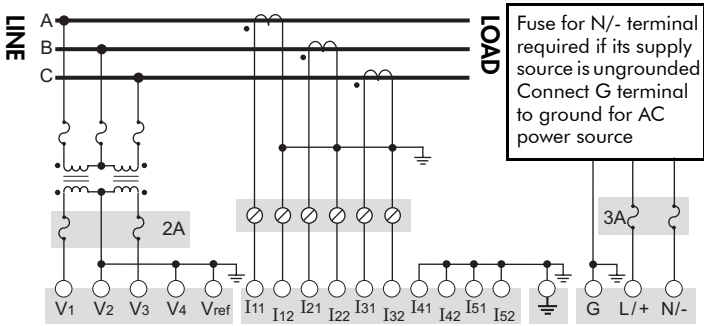
600 V L-L max.
VOLTS MODE = Delta

3-Wire Delta, 2-Element 2 PTs & 2 CTs



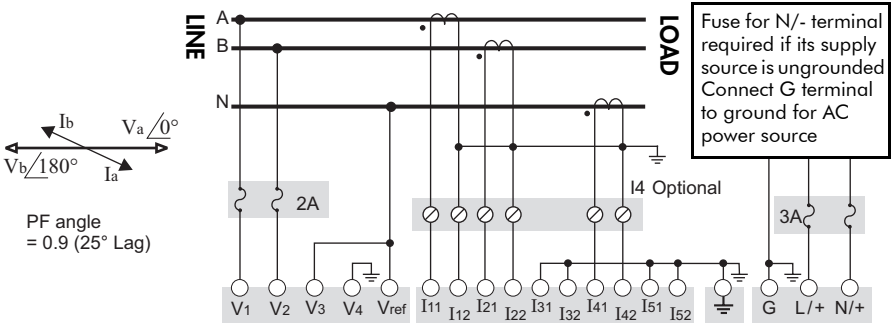
Use PTs for voltages over 600 V L-L.
VOLTS MODE = Delta

3-Wire Delta, 2½-Element, 2 PTs & 3 CTs



Use PTs for voltages over 600 V L-L
VOLTS MODE = Delta

Single Phase Connection Diagram



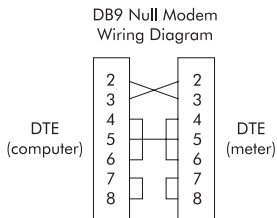
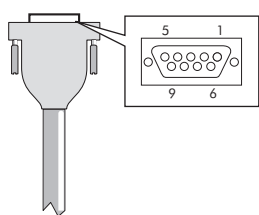
277 V L-N / 554 V L-L max. Use PTs for higher voltages.
VOLTS MODE = Single

Using Potential Transformers

System Mode	Voltage Range	Requires PTs
Wye	120 V L-N or 208 V L-L	no
	277 V L-N or 480 V L-L	no
	347 V L-N or 600 V L-L	no
	over 347 V L-N or 600 V L-L	yes
Single Phase	120 V L-N or 240 V L-L	no
	277 V L-N or 554 V L-L	no
	over 277 V L-N or 554 V L-L	yes
Delta	up to 600 V L-L	no
	over 600 V L-L	yes

Step 5: Wire the Communications

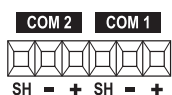
RS-232 Connections (COM1)



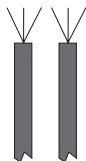
- Null modem cable pinout
- Pin 3 - Transmit Data - Pin 2
 - Pin 2 - Receive Data - Pin 3
 - Pin 7 - Request to Send- Pin 8
 - Pin 8 - Clear to Send- Pin 7
 - Pin 5 - Signal Ground- Pin 5
 - Pin 6 - Data Set Ready- Pin 4
 - Pin 4 - Data Terminal Ready- Pin 6

Specification	Meter Connected to Computer	Meter Connected to External Modem
Connector Type	DB9 female end for mating with male connector on the meter	
Wire	Null modem RS-232 cable	Straight-through RS-232 cable
Maximum Cable Length	15.2 m (50 ft)	
Data Rate	300 – 115,200 bps	
Isolation	Optical	
Duplex	Full	
Compliance	ANSI/IEEE C37.90-1989 surge withstand and fast transient tests	

RS-485 Connections (COM1 and COM2)



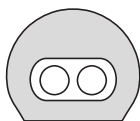
SH	RS-485 Shield (electrically connected to chassis ground)
-	RS-485 Data Minus
+	RS-485 Data Plus



Connect SH at one end only

Connector Type	Captured wire
Wire	Shielded twisted pair RS-485 cable, 22 AWG (0.33 mm ²) or larger
Maximum Cable Length	1219 m (4000 ft) total for entire bus
Data Rate	300 – 115,200 bps
Maximum Devices (per bus)	32
Isolation	Optical
Duplex	Half
Compliance	ANSI/IEEE C37.90-1989 surge withstand and fast transient tests

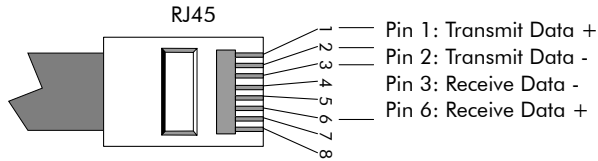
Infrared Connections (COM4)



Interface	ANSI C12.18 Type II optical port
Location	Front of meter
Data Rate	1,200 – 19,200 bps
Duplex	Half

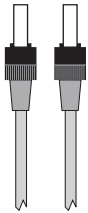
Ethernet Connections (if equipped)

10Base-T



Wire Type	High quality Category 3 or 5 unshielded twisted pair cable
Connector Type	RJ45 modular
Maximum Length	100 m (328 ft)
Type	IEEE 802.3 10Base-T for 10 Mbps base band CSMA/CD LANs
Data Rate	10 Mbps
Isolation	Transformer isolated to 1500 VAC/2250 VDC RMS
Max. Connections Allowed	4 simultaneous

10Base-FL (Fiber)



Wire Type	62.5/125 micrometer multimode fiber optic cable
Connector Type	ST
Maximum Length	2000 m (6562 ft)
Data Rate	10 Mbps
Isolation	Optical

NOTE

ST type fiber cables

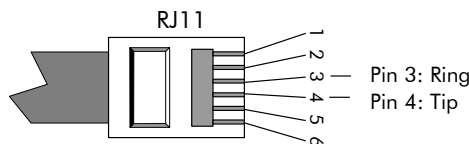
Connecting to the Fiber port automatically disables the RJ45 port.

Ethernet TCP/IP Service Ports

Protocol	Port
ION	7700
Modbus RTU	7701
Modbus TCP	502
EtherGate (COM1)	7801
EtherGate (COM2)	7802
DNP TCP	20,000

Only one EtherGate connection per port is allowed at a time

Internal Modem Connection (COM3 if equipped)



Connector Type	RJ11
Wire Type	FCC Part 68 compliant telephone cord (two male RJ11 ends)
Data Rate	300 bps – 33.6 kbps
Error Correction	V.42 LAPM, MNP 2-4, MNP 10
Data Compression	V.42 bis/MNP 5

Step 6: Wire the Power Supply



Specification	Standard Power Supply	Low Voltage DC
Type	Captured wire connector	
Wire	3.3-2.1 mm ² (12-14 AWG)	2.1-0.8 mm ² (14-18 AWG)
Rated Inputs	85-240 VAC ± 10% (47-63 Hz), or 110-300 VDC ± 10%	20-60 VDC ± 10%
Dielectric Withstand	2500 VAC RMS at 60 Hz for 60s	
Burden	35 VA max. (15 VA typical)	18 W max. (12 W typical)
Ride-through	100 ms (6 cycles at 60 Hz) min.	None

Step 7: Power Up the Meter

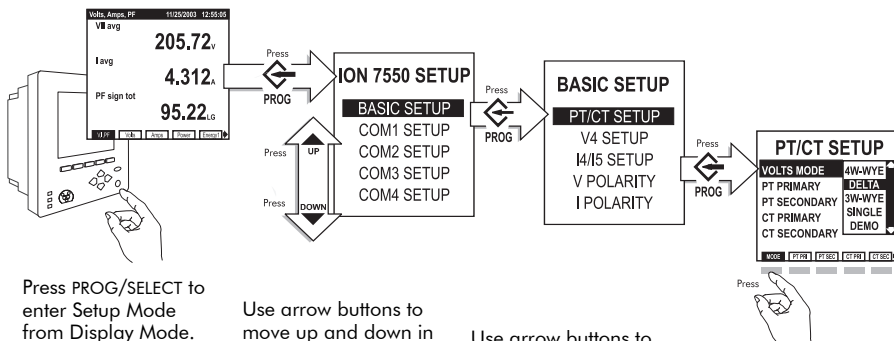
Before you apply power to the meter, ensure that ground is securely connected and that the supply voltage is within the allowed range of the meter's power supply. Power up the meter.

Step 8: Set Up the Meter Using the Front Panel

The following Setup screens are available for meter configuration via the front panel:

BASIC SETUP
COM1 SETUP
COM2 SETUP
COM3 SETUP
COM4 SETUP
NETWORK SETUP
PQ SETUP
FORMAT SETUP
DISPLAY SETUP
TIME SETUP
SECURITY SETUP
METER RESETS

Use the PROG/SELECT, ESC, softkeys and arrow buttons to configure settings. The following example shows Volts Mode setup using the meter front panel.



Press PROG/SELECT to enter Setup Mode from Display Mode.

Use arrow buttons to move up and down in list. Press PROG/SELECT to select Basic Setup.

Use arrow buttons to move up and down in list. Press PROG/SELECT to select PT/CT Setup.

Press Mode softkey. Use arrow buttons to move up and down in list. Press PROG/SELECT to select Delta.

The following table lists all settings that can be configured via the front panel.

Menu	Setting	Description	Range (Values)	Default
BASIC SETUP	VOLTS MODE	The power system's configuration – WYE, DELTA, etc.	4W-WYE DELTA 3W-WYE SINGLE DEMO	4W-WYE
	PT PRIMARY	The Potential Transformer's primary winding voltage rating	1 to 999,999.99	120.00
	PT SECONDARY	The Potential Transformer's secondary winding voltage rating	1 to 999,999.99	120.00
	CT PRIMARY	The Current Transformer's primary winding current rating	1 to 999,999.99	5.00
	CT SECONDARY	The Current Transformer's secondary winding current rating	1 to 999,999.99	5.00
	V4 PRIMARY	The Potential Transformer's primary winding voltage rating on V4	1 to 999,999.99	120.00
	V4 SECONDARY	The Potential Transformer's secondary winding voltage rating on V4	1 to 999,999.99	120.00
	I4 PRIMARY	The Current Transformer's primary winding current rating on I4	1 to 999,999.99	5.00
	I4 SECONDARY	The Current Transformer's secondary winding current rating on I4	1 to 999,999.99	5.00
	I5 PRIMARY	The Current Transformer's primary winding current rating on I5	1 to 999,999.99	5.00
	I5 SECONDARY	The Current Transformer's secondary winding current rating on I5	1 to 999,999.99	5.00
	Va POLARITY	The polarity of the Potential Transformer on Va	Normal or Inverted	Normal
	Vb POLARITY	The polarity of the Potential Transformer on Vb	Normal or Inverted	Normal
	Vc POLARITY	The polarity of the Potential Transformer on Vc	Normal or Inverted	Normal
	V4 POLARITY	The polarity of the Potential Transformer on V4	Normal or Inverted	Normal
	Ia POLARITY	The polarity of the Current Transformer on Ia	Normal or Inverted	Normal
	Ib POLARITY	The polarity of the Current Transformer on Ib	Normal or Inverted	Normal
	Ic POLARITY	The polarity of the Current Transformer on Ic	Normal or Inverted	Normal
	I4 POLARITY	The polarity of the Current Transformer on I4	Normal or Inverted	Normal
	I5 POLARITY	The polarity of the Current Transformer on I5	Normal or Inverted	Normal
CURRENT PROBE TYPE	The type of current probes being used with the meter	Factory Default, User Defined 1, or User Defined 2	Factory Default	

Menu	Setting	Description	Range (Values)	Default
COM1 SETUP	PROTOCOL	The communications protocol	ION, Modbus RTU, Modbus Master, DNP V3.00, GPS:Truetime/Datum,GPS:Arbiter, GPS:Arbiter-Vorne, Factory, Ethergate, ModemGate	ION
	BAUD RATE	The data rate, in bits per second	300 ¹ , 1200, 2400, 4800, 9600, 19200, 38400, 57600, 115200	9600
	TRAN DELAY	The transmit delay in seconds	0 to 1	0.010
	UNIT ID	Every meter on an RS-485 network must have a unique Unit ID number	1 to 9999	From serial number ²
	MODE	Hardware mode for port	RS232 or RS485	RS232
	FLOW CONTROL	Specifies the handshake mode when COM1 is set to RS232	RTS + DELAY or RTS/CTS	RTS + DELAY
COM2 SETUP	PROTOCOL	The communications protocol	See COM1 protocol	ION
	BAUD RATE	The data rate, in bits per second	300 ¹ , 1200, 2400, 4800, 9600, 19200, 38400, 57600, 115200	9600
	TRAN DELAY	The transmit delay in seconds	0 to 1	0.010
	UNIT ID	Every meter on an RS-485 network must have a unique Unit ID number	1 to 9999	101
COM3 SETUP	PROTOCOL	The communications protocol	ION, Modbus RTU, Modbus Master, DNP V3.00, GPS:Truetime/Datum,GPS:Arbiter, GPS:Arbiter-Vorne, Factory	ION
	BAUD RATE	The data rate, in bits per second	300 ¹ , 1200, 2400, 4800, 9600, 19200, 38400, 57600, 115200	9600
	TRAN DELAY	The transmit delay in seconds	0 to 1	0.010
	UNIT ID	Every meter on an RS-485 network must have a unique Unit ID number	1 to 9999	102
	ANSWER HR RINGS	The number of rings during defined answer hours	0 to 255	1
	NON-ANSWER HR RINGS	The number of rings during defined non-answer hours	0 to 255	5
COM4 SETUP	PROTOCOL	The communications protocol	ION, Modbus RTU, DNP V3.00, Factory	ION
	BAUD RATE	The data rate, in bits per second	1200, 2400, 4800, 9600, 19200	9600
	TRAN DELAY	The transmit delay in seconds	0 to 1	0.010
	UNIT ID	Every meter on an RS-485 network must have a unique Unit ID number	1 to 9999	103
NETWORK SETUP	IP ADDRESS	Sets the IP address for the meter	000.000.000.000 to 999.999.999.999	none
	SUBNET MASK	Used if subnetting applies to your network	000.000.000.000 to 999.999.999.999	none
	GATEWAY	Used in multiple network configurations	000.000.000.000 to 999.999.999.999	none
	DNS PRIMARY	Sets the address for the primary DNS Server that is configured to resolve domain names	000.000.000.000 to 999.999.999.999	none
	DNS SECONDARY	Sets the address for the secondary DNS Server that is configured to resolve domain names	000.000.000.000 to 999.999.999.999	none

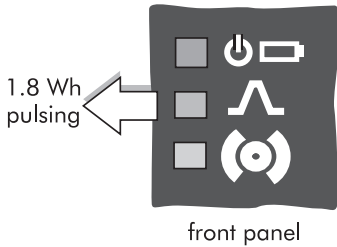
Menu	Setting	Description	Range (Values)	Default
PQ SETUP	SWELL LIMIT	Specifies the magnitude above which a power system input must rise for a swell to be recorded	100 to 1000	106
	SAG LIMIT	Specifies the magnitude below which a power system input must fall for a sag to be recorded	0 to 100	88
	CHANGE CRITERIA	Specifies the amount by which an input must change during a disturbance to be considered a new sub-disturbance	0 to 100	10
	NOMINAL VOLTAGE ³	Specifies the nominal voltage of the power system	0 to 1,000,000	0
	EVENT PRIORITY	Assigns a priority level to sag/swell events	0 to 255	200
FORMAT SETUP	DIGIT GROUP	Specifies symbols used to delimit thousands and decimal place holder	1000.0 or 1,000.0 or 1000,0	1000.0
	VOLTS DECIMAL	Number of decimal places displayed for voltages	1. to 123456789.XXX	1.XX
	CURRNT DECIMAL	Number of decimal places displayed for currents	1. to 123456789.XXX	1.XXX
	POWER DECIMAL	Number of decimal places displayed for power measurements	1. to 123456789.XXX	1.XXX
	PHASE LABEL	Specifies how phases are labelled	ABC, RST, XYZ, RYB, RWB, 123	ABC
	PF SYMBOL	LD (leading)/LG (lagging)	LD/LG, +/-, CAP/IND	LD/LG
	DATE FORMAT	Specifies how dates are displayed	MM/DD/YYYY, DD/MM/YYYY, YYYY/MM/DD	MM/DD/YYYY
DISPLAY SETUP	DISPLAY DST	Specifies whether or not DST is displayed	Yes or No	Yes
	UPDATE RATE	Sets when the display updates (in seconds)	1 to 6	1
TIME SETUP	CONTRAST	Higher numbers are sharper	0 to 9	7
	TZ OFFSET	Sets the time zone of the meter's location, relative to UTC	- 12:00 to +13:00	+00:00
	DST OFFSET	Sets the daylight savings time offset of the meter's location	-3:00 to +3:00	+00:00
	SYNC SOURCE	Sets the port to receive time synchronization signals	Ethernet, COM1, COM2, COM3, COM4	COM1
	SYNC TYPE	Specifies whether time sync signals are received in local time or UTC	Local Time or UTC	UTC
	CLOCK SOURCE	Specifies time sync source	Internal or COMM	Internal
	LOCAL DATE	Sets the local date	Same format as specified in Date Format setting	
LOCAL TIME	Sets the local time			

Menu	Setting	Description	Range (Values)	Default
SECURITY SETUP	PASSWORD	Sets the meter password	00000000 to 99999999	00000000
	ENABLED	Enables or disables security on the meter	Yes or No	No
	WEB CONFIG	Enables or disables web browser configuration of the meter	Enabled or Disabled	Enabled
	WEB ACTIVE	Enables or disables internal web server on the meter	Yes or No	Yes

- 1 A baud rate of 300 bps is only intended for paging applications.
- 2 Serial number = PA-0302B222-01, Unit ID = 2222
- 3 NOMINAL VOLTAGE must be set to your system's nominal voltage to activate the meter's power quality features.

Step 9: Verify Meter Operation

The LEDs on the back of the meter flash during communications. The LEDs on the Front Panel indicate the following:



Top (green) LED indicates the meter is operational. The light should always remain on when the meter is in service.

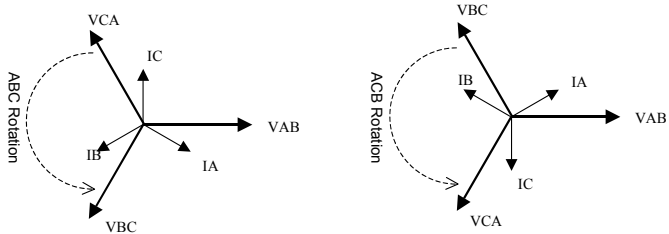
Middle (red) LED is a 1.8 Wh pulser. During normal operations this LED should blink intermittently as the meter measures power.

Bottom (red) LED is user programmable. It can be used for Alarm notification. See the 9510 / 9610 User Guide for more information.

Phasor Diagrams

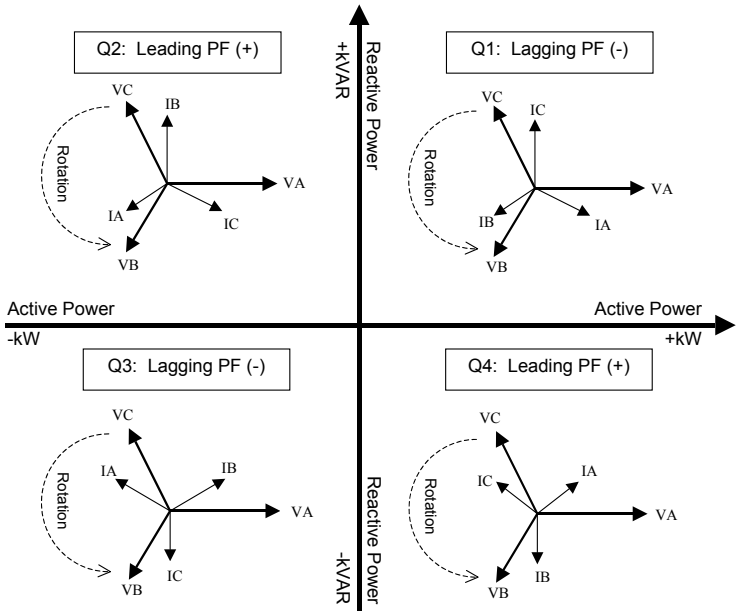
DELTA phasors for UNITY Power Factor (resistive load)

Applicable Volts Mode = DELTA



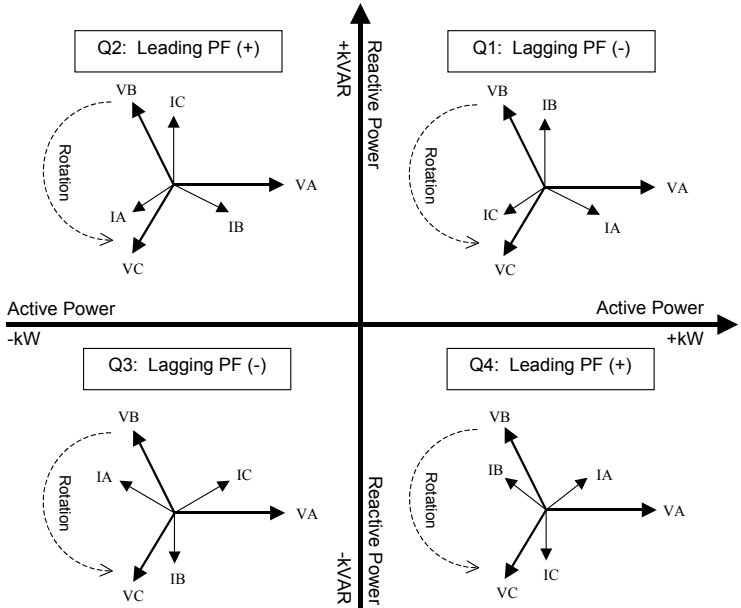
WYE - ABC Rotation

Applicable Volts Mode = 4W-WYE and 3W-WYE



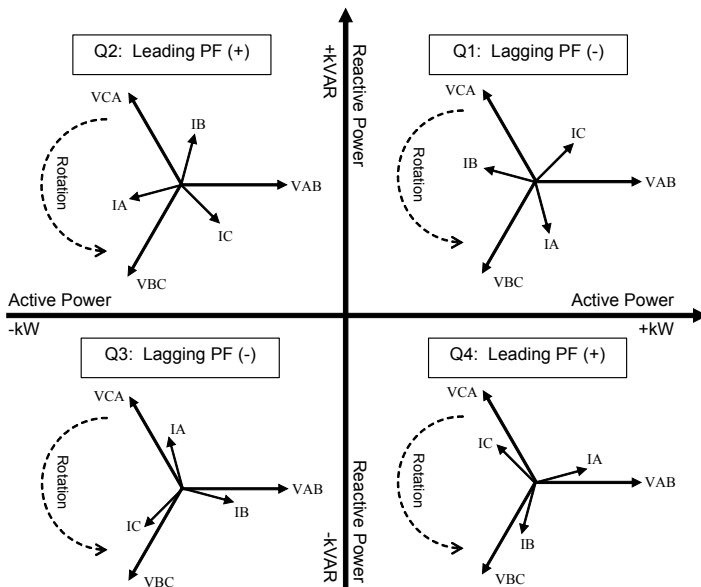
WYE - ACB Rotation

Applicable Volts Mode = 4W-WYE and 3W-WYE



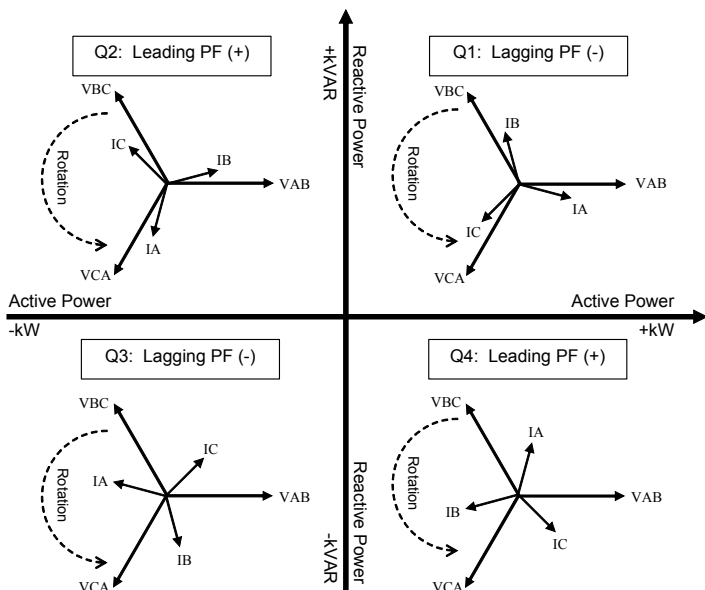
2 Element (3Wire) DELTA - ABC Rotation

Applicable Volts Mode = DELTA



2 Element (3Wire) DELTA - ACB Rotation

Applicable Volts Mode = DELTA



Step 10: View Meter Data

Use the softkeys to select which data to display. Use the left and right arrow buttons to scroll through the available display screens.

Display Screens

Softkey	Contents
V,I,PF	Volts, Amps, Power Factor
Volts	Volts
Amps	Amps
Power	Total Power
Energy1	Energy delivered
Demand1	Demand delivered
Pk Dmd1	Peak Demand delivered
V Bar, I Bar, P Bar	Voltage, Current and Power Bar Graphs
Summary1, Summary2	Volts/Amps Summary, Power Summary
V-Trend, I-Trend, P-Trend	Voltage, Current, Power Trends
D Inputs	Digital Inputs
DI - I/O	Digital I/O on expansion I/O card
D-Output	Digital Outputs
Anlg - I/O	Analog In and Out
Phasors	Phasors
Name Plt	Nameplate information
Events	Events
Setpoint	Setpoint
Energy2	Energy received
Demand2	Demand received
Pk Dmd2	Peak Demand received
THD	Volts and Amps Total Harmonic Distortion
V1 Harm, V2 Harm,...	V1, V2, V3, V4 harmonics
I1 Harm, I2 Harm,...	I1, I2, I3, I4, I5 harmonics
TOU	Time Of Use Active Rate / Season
TOU Egly	TOU Energy delivered
TOU Dmd1 & TOU Dmd2	TOU Peak Demand 1 and 2
Avblty	Power Availability

Additional display screens for the 9610 (with EN50160 option):

Softkey	Contents
PQ Freq	Power Quality Power Frequency
PQ Vmag1	PQ Supply Voltage 1
PQ Vmag2	PQ Supply Voltage 2
PQ Flk1	PQ Flicker 1
PQ Flk2	PQ Flicker 2
PQ Vdist	PQ Voltage Disturbance
PQ Yunb	PQ Voltage Unbalance
PQ Vhrm1	PQ Voltage Harmonics 1
PQ Vhrm2	PQ Voltage Harmonics 2

Siemens Energy & Automation, Inc.
Power Management Technologies
3333 Old Milton Parkway
Alpharetta, GA 30005

For Nearest Sales Office
1.800.964.4114
www.sea.siemens.com/sales/salesoffices.html

For More Information Visit
www.sea.siemens.com/access

© Siemens Energy & Automation, Inc.
Siemens is a registered trademark of
Siemens AG. Specifications are subject to
change without notice.

Windows is a trademark and
Microsoft is a registered trademark
of Microsoft Corporation.
All others are of Siemens AG.

Order No. 70005-0247-05
PDF 0800 Printed in the U.S.A.