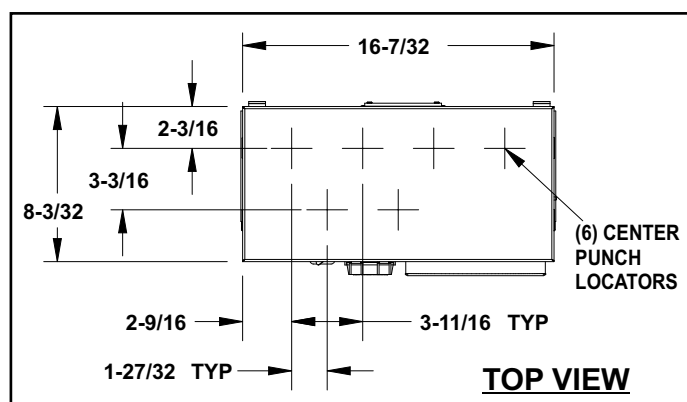
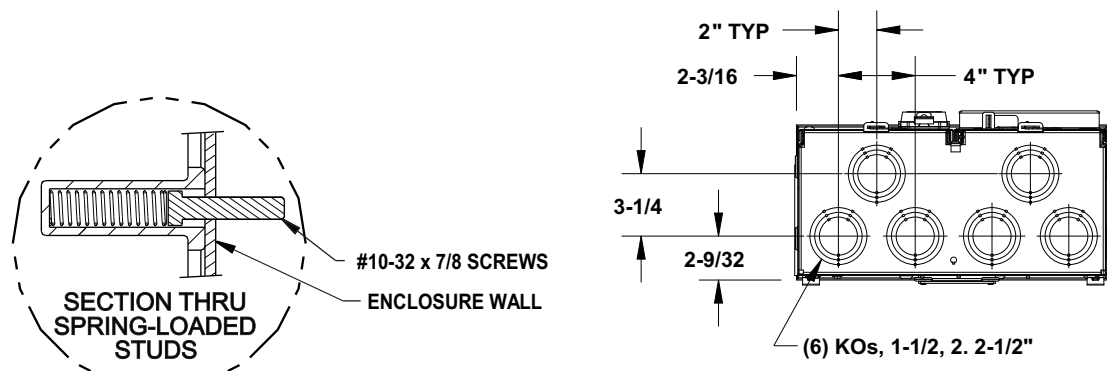
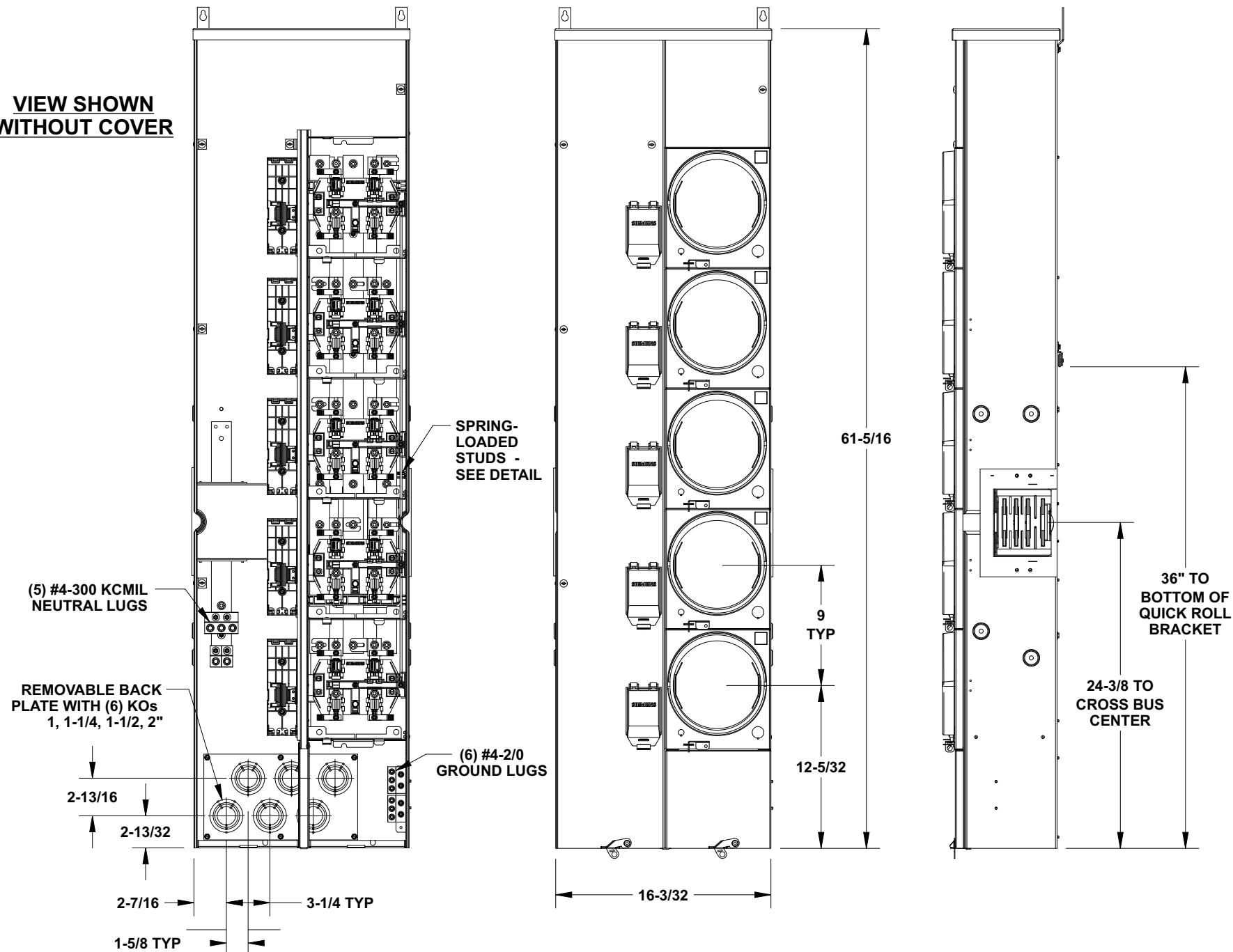


VIEW SHOWN WITHOUT COVER



Catalog Numbers, Features and Ratings

- MAIN BUS RATING: 1200 AMPS, 240V AC MAX.
- METER SOCKET RATING: 200 AMPS CONTINUOUS
- 100,000 AIC RATING MAX.
- BRANCH RATING: TOP 2 BRANCHES 200A MAX, BOTTOM 3 BRANCHES 225A MAX.
- 3 PHASE INPUT / 1 PHASE OUTPUT
- TYPE 3R OUTDOOR ENCLOSURE
- MOUNTING RAILS AND ADJUSTABLE BRACKETS FOR SECURE MOUNTING

| Catalog No. | Main Bus | Meter Positions | Cover Type | 5th Jaw | Horn Bypass |
|-------------|----------|-----------------|------------|-----------|-------------|
| WMM52225J | 3 Phase | 5 | Ring | Installed | |
| WMM52225RJ | 3 Phase | 5 | Ringless | Installed | |
| WMM52225RJB | 3 Phase | 5 | Ringless | Installed | Installed |

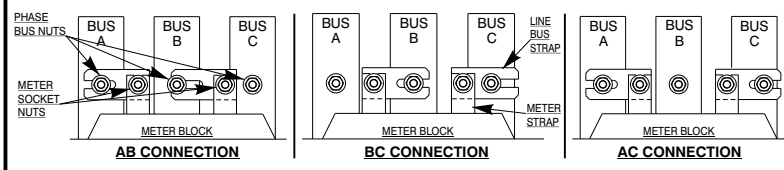
Additional Modules

| Module Description | Siemens Series# | Murray Series# |
|--------------------|--------------------------|------------------|
| Main Breakers | (W)MC, WB, WEB | DB W |
| Switches | WMP, WMS, WS, WES | DPT W, DT W |
| Tap/Terminal Boxes | WMTB, WTB, WET | DTB W |
| Pull Boxes | WMMB, WPB, WAPB | DPB W |
| Meter Module | WMM, WxMM, WMT, WML, WMK | DG W, DC W, DL W |
| Extension Box | WMEX, WSP | DS |
| Bussed Elbow | (W)BE | DL |

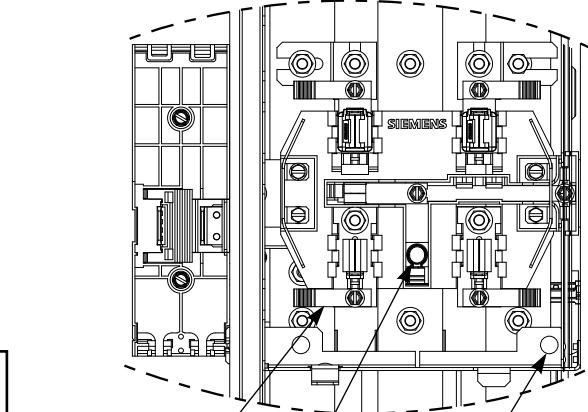
| Connect Modules Using: | Catalog Number / Torque |
|------------------------|--|
| QuickConnect | QC4, Torque 400-440 lb-in (35-36 ft.-lb.) |
| Single Bolt Joint | SBJ4, Torque 400-480 lb-in (35-40 ft.-lb.) |

Rephasing Instructions

Factory installed phasing is AB, BC, AC, AB and BC top to bottom. Each meter socket can be rephased AB, BC, or AC by repositioning line bus straps. If a different phase arrangement is needed, loosen hex nuts and reconnect one or both line bus straps, then retighten the hex nuts to 60-65 lb.-in. Tighten hex nut at meter socket first, then tighten hex nut on vertical phase bus.



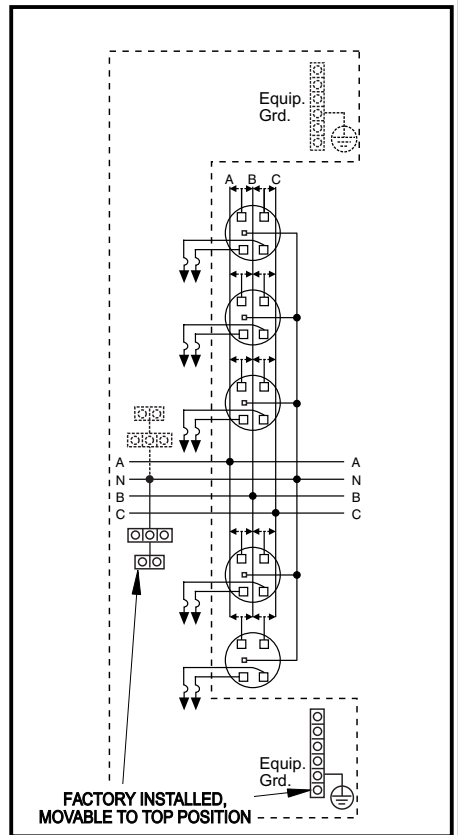
ENLARGED SOCKET DETAIL



Accessories

| Description | Catalog No. |
|--------------------------|-------------|
| Horn By-Pass Mod | ECMFH |
| End Closure Plate | WMEP |
| 5th Jaw Mod | ECMF5 |
| Meter Cover Plate | ECCP3 |
| Meter Socket | ECMFS |
| 225A Breaker Mounting | ECMFBM2 |
| Meter Cover, Ring Type | ECMFMC |
| Meter Cover, Ringless | ECMFMCR |
| Parts Kit | ECMFPK |
| Load Cover Screws | ECMFCS |
| Bottom Pull Cover | ECMFC |
| Mounting Rail | MMRAIL |
| Mounting Clip | MMCLIP |
| Quick Phase Strap | ECMFPS |
| Breaker Cover Repl. | ECBC |
| Mounting Tabs (2) | ECMFTAB |
| Ground Bar Kit | ECMFGN125 |
| Neutral Bar Kit 225A | ECMFN225 |
| Ringless Conversion Kit | ECMMRLCK |
| Back Rail/Clip | ECMFWLCLIP |
| Wall Mounting Rail (60") | MMZR60 |
| QP Breaker Retainer | ECMBR2 |
| KO Plate with Knockouts | ECMMKOP |
| KO Plate w/o Knockouts | ECMMNKOP |

Schematic



© 2010 Copyright Siemens Industry, Inc.

Siemens Industry, Inc.
Building Technologies Division

PowerMod™ Meter Stack

Catalog Numbers: **WMM52225J, WMM52225RJ, WMM52225RJB**

Size B Dwg. No. **225A_3Ph_5Pos**

Dwn KAM Date 1/27/10 DO NOT SCALE DRAWING SHEET 1 OF 1

WMM52225RJB SHOWN