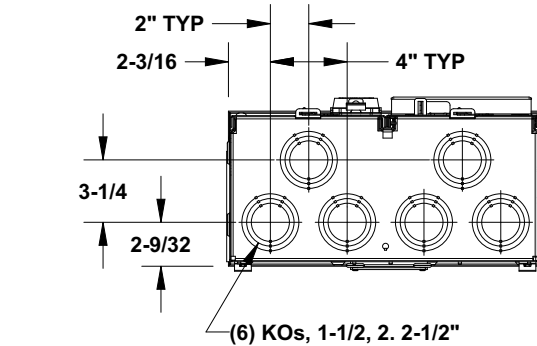
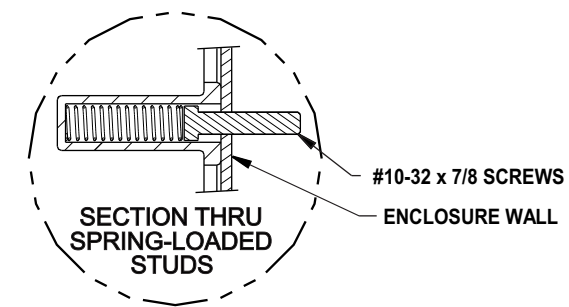
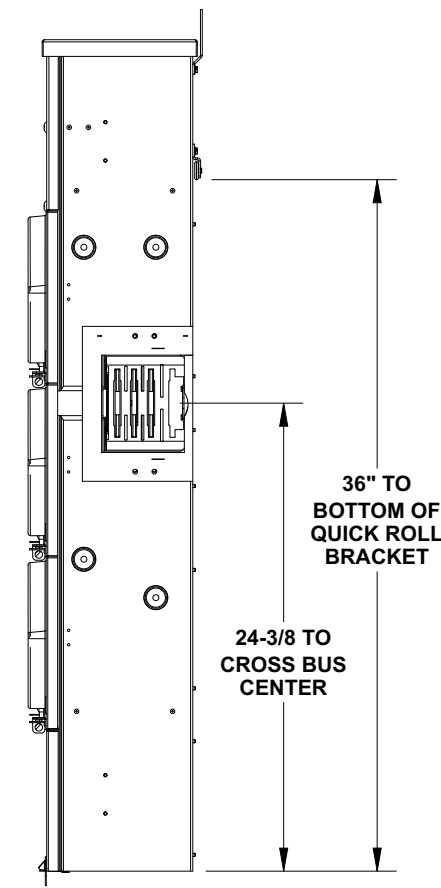
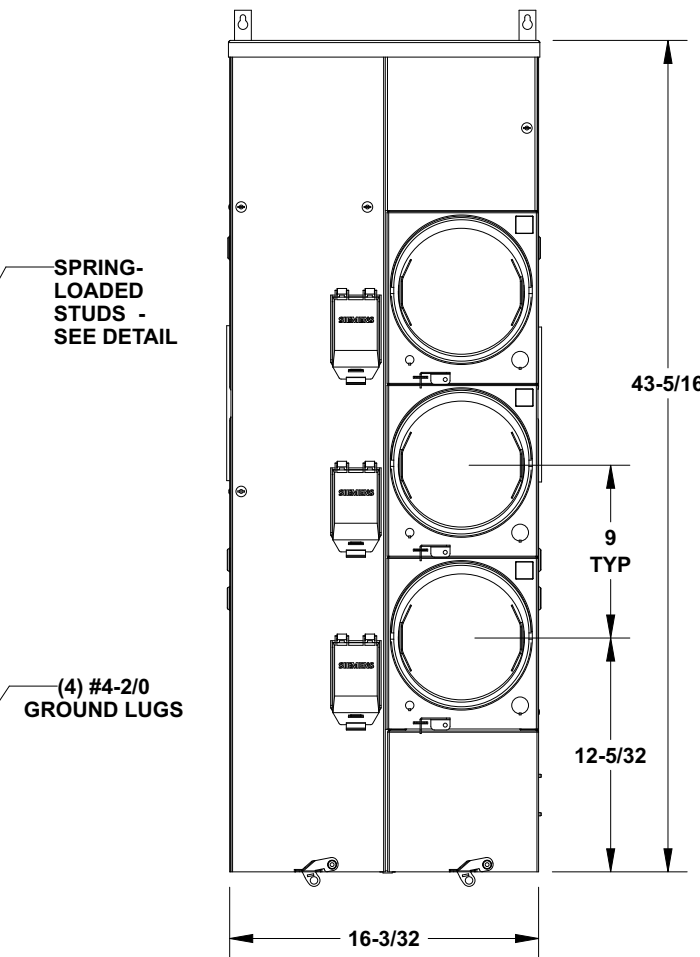
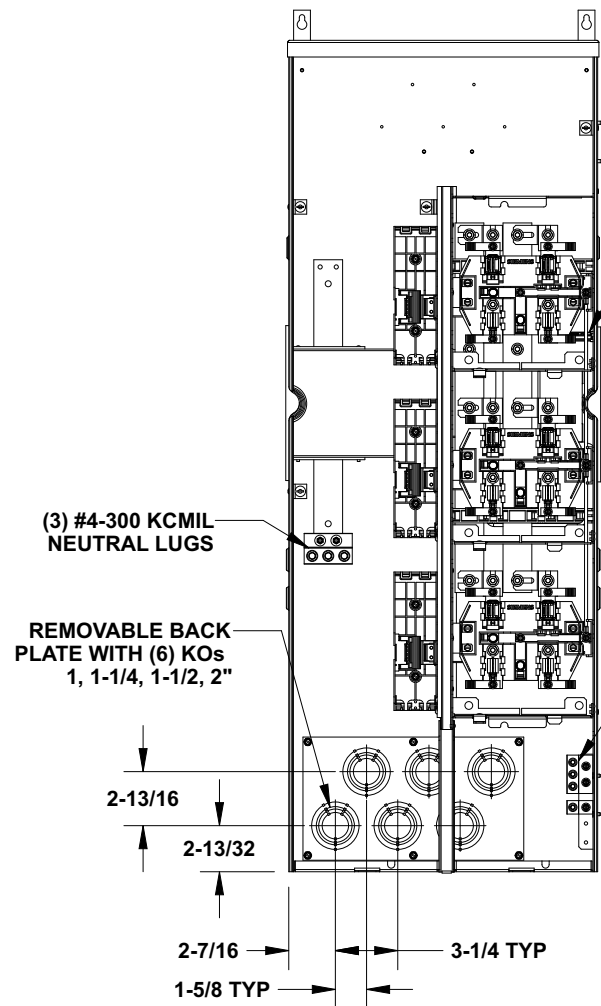
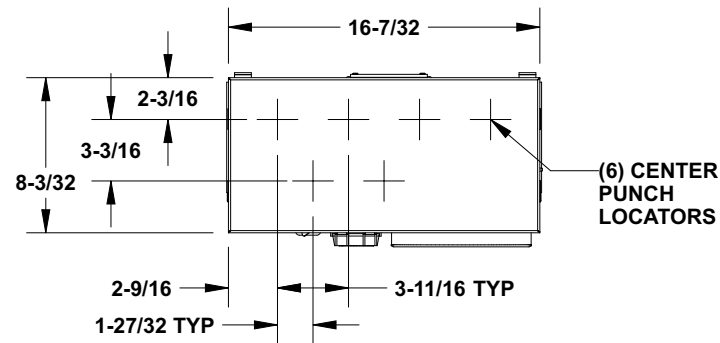


VIEW SHOWN WITHOUT COVER



WMM31225RB SHOWN

Catalog Numbers, Features and Ratings

- MAIN BUS RATING: 1200 AMPS, 240V AC MAX.
- METER SOCKET RATING: 200 AMPS CONTINUOUS
- 100,000 AIC RATING MAX.
- BRANCH RATING: 225A MAX.
- 1 PHASE INPUT / 1 PHASE OUTPUT
- TYPE 3R OUTDOOR ENCLOSURE
- MOUNTING RAILS AND ADJUSTABLE BRACKETS FOR SECURE MOUNTING

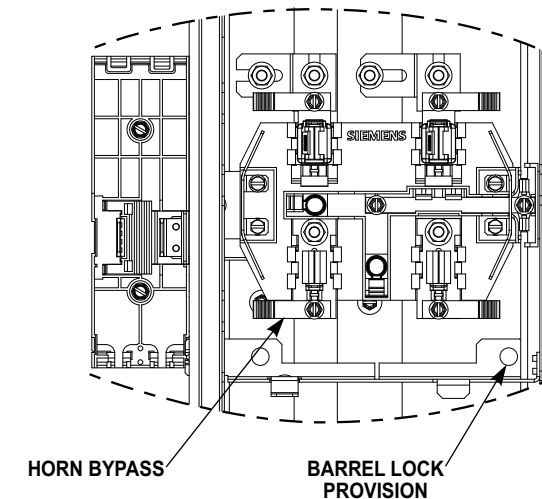
Catalog No.	Main Bus	Meter Positions	Cover Type	Horn Bypass
WMM31225	1 Phase	3	Ring	
WMM31225R	1 Phase	3	Ringless	
WMM31225RB	1 Phase	3	Ringless	Installed

Additional Modules

FOR USE WITH: Module Description	Siemens Series#	Murray Series#
Main Breakers	(W)MC, WB, WEB	DB W
Switches	WMP, WMS, WS, WES	DPT W, DT W
Tap/Terminal Boxes	WMTB, WTB, WET	DTB W
Pull Boxes	WMMB, WPB, WAPB	DPB W
Meter Module	WMM, WxMM, WMT, WML, WMK	DG W, DC W, DL W
Extension Box	WMEX, WSP	DS
Bussed Elbow	(W)BE	DL

Connect Modules Using:	Catalog Number / Torque
QuickConnect	QC1, Torque 400-440 lb-in (35-36 ft.-lb.)
Single Bolt Joint	SBJ1, Torque 400-480 lb-in (35-40 ft.-lb.)

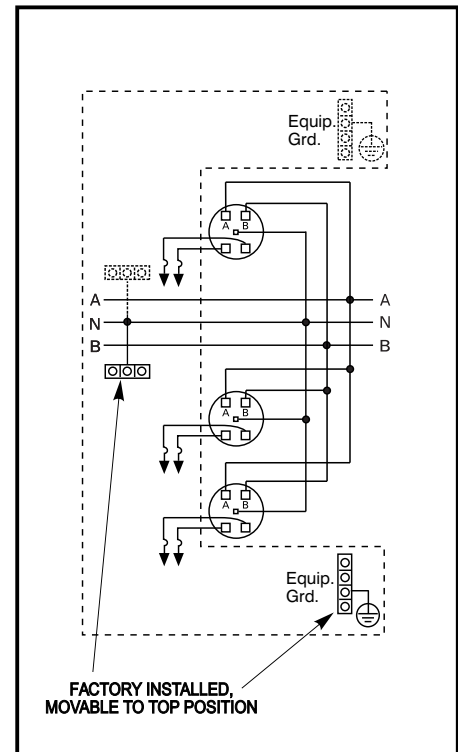
ENLARGED SOCKET DETAIL



Accessories

Description	Catalog No.
Horn By-Pass Mod	ECMFH
End Closure Plate	WMEP
5th Jaw Mod	ECMF5
Meter Cover Plate	ECCP3
Meter Socket	ECMFS
225A Breaker Mounting	ECMFBM2
Meter Cover, Ring Type	ECMFMC
Meter Cover, Ringless	ECMFMC
Parts Kit	ECMFPK
Load Cover Screws	ECMFCS
Bottom Pull Cover	ECMFC
Mounting Rail	MMRAIL
Mounting Clip	MMCLIP
Quick Phase Strap	ECMFPS
Breaker Cover Repl.	ECBC
Mounting Tabs (2)	ECMFTAB
Ground Bar Kit	ECMFGN125
Neutral Bar Kit 225A	ECMFGN225
Ringless Conversion Kit	ECMMRLCK
Back Rail/Clip	ECMFWLCLIP
Wall Mounting Rail (60")	MMZR60
QP Breaker Retainer	ECMBR2
KO Plate with Knockouts	ECMMKOP
KO Plate w/o Knockouts	ECMMNKOP

Schematic



© 2010 Copyright Siemens Industry, Inc.

Siemens Industry, Inc.
Building Technologies Division

PowerMod™ Meter Stack

Catalog Numbers:		WMM31225, WMM31225R, WMM31225RB	
Size B	Dwg. No.	225A_1Ph_3Pos	
Dwn KAM	Date 1/27/10	DO NOT SCALE DRAWING	SHEET 1 OF 1