

Catalog Numbers, Features and Ratings

- MAIN BUS RATING: 1200 AMPS, 240V AC MAX.
- METER SOCKET RATING: 125 AMPS CONTINUOUS
- 65,000 AIC RATING MAX., 125 AMPS MAX. BRANCH RATING
- 3 PHASE INPUT / 1 PHASE OUTPUT
- TYPE 3R OUTDOOR ENCLOSURE
- MOUNTING RAILS AND ADJUSTABLE BRACKETS FOR SECURE MOUNTING

| Catalog No. | Main Bus | Branch Rating | Meter Positions | Cover Type | 5th Jaw | Horn Bypass |
|-------------|----------|---------------|-----------------|------------|-----------|-------------|
| WMM62125J | 3 Phase | 125A Max. | 6 | Ring | Installed | |
| WMM62125RJ | 3 Phase | 125A Max. | 6 | Ringless | Installed | |
| WMM62125RJB | 3 Phase | 125A Max. | 6 | Ringless | Installed | Installed |

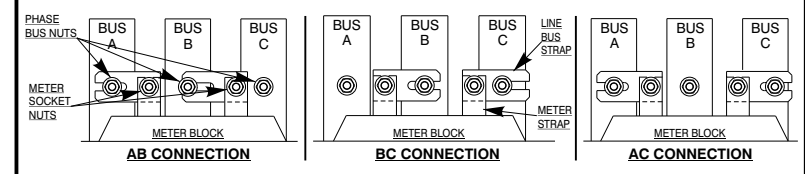
Additional Modules

| FOR USE WITH: Module Description | Siemens Series# | Murray Series# |
|-------------------------------------|--------------------------|------------------|
| Main Breakers | (W)MC, WB, WEB | DB W |
| Switches | WMP, WMS, WS, WES | DPT W, DT W |
| Tap/Terminal Boxes | WMTB, WTB, WET | DTB W |
| Pull Boxes | WMMB, WPB, WAPB | DPB W |
| Meter Module | WMM, WxMM, WMT, WML, WMK | DG W, DC W, DL W |
| Extension Box | WMEX, WSP | DS |
| Bussed Elbow | (W)BE | DL |

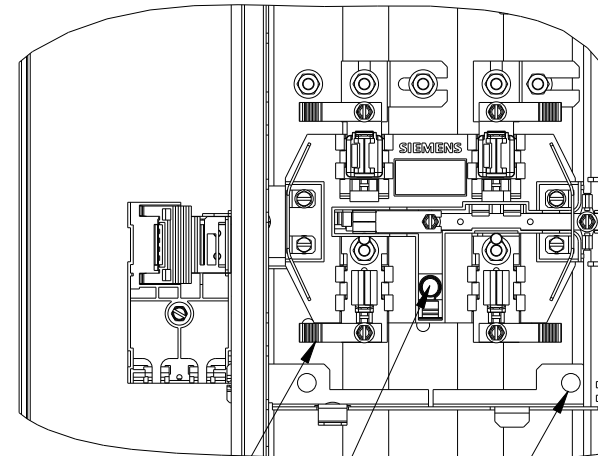
| Connect Modules Using: | Catalog Number / Torque |
|------------------------|--|
| QuickConnect | QC4, Torque 400-440 lb-in (35-36 ft.-lb.) |
| Single Bolt Joint | SBJ4, Torque 400-480 lb-in (35-40 ft.-lb.) |

Rephasing Instructions

Factory installed phasing is AB, BC, AC, AB, BC, and AC top to bottom. Each meter socket can be phased AB, BC, or AC by repositioning line bus straps. If a different phase arrangement is needed, loosen hex nuts and reconnect one or both line bus straps, then retighten the hex nuts to 60-65 lb.-in. Tighten hex nut at meter socket first, then tighten hex nut on vertical phase bus.



ENLARGED SOCKET DETAIL



HORN BYPASS
5th JAW CAN BE RELOCATED TO 6 O'CLOCK POSITION

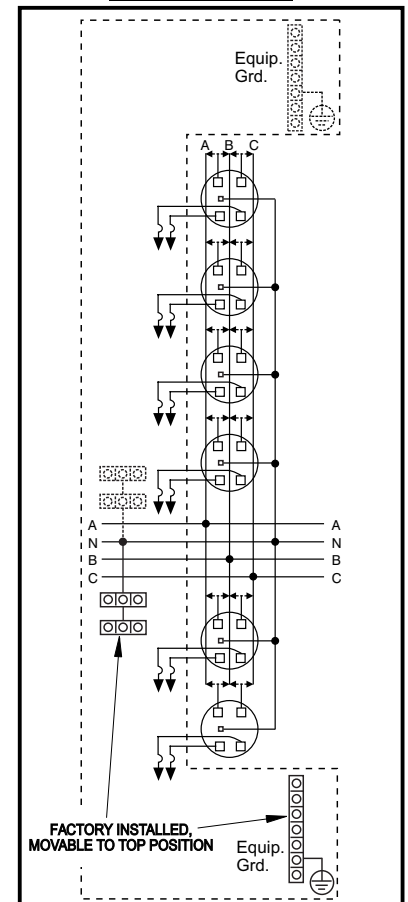
BARREL LOCK PROVISIONS

WMM62125RJB SHOWN

Accessories

| Description | Catalog No. |
|--------------------------|-------------|
| Horn By-Pass Mod | ECMFH |
| End Closure Plate | WMEP |
| 5th Jaw Mod | ECMF5 |
| Meter Cover Plate | ECCP3 |
| Meter Socket | ECMFS |
| 125A Breaker Mounting | ECMFBM1 |
| Meter Cover, Ring Type | ECMFMCR |
| Meter Cover, Ringless | ECMFMCR |
| Parts Kit | ECMFPK |
| Load Cover Screws | ECMFCS |
| Bottom Pull Cover | ECMFC |
| Mounting Rail | MMRAIL |
| Mounting Clip | MMCLIP |
| Quick Phase Strap | ECMFPS |
| Breaker Cover Repl. | ECBC |
| Mounting Tabs (2) | ECMFTAB |
| Ground/Ntl Bar Kit | ECMFGN125 |
| Ringless Conversion Kit | ECMMLCK |
| Back Rail/Clip | ECMFWLCLIP |
| Wall Mounting Rail (60") | MMZR60 |
| QP Breaker Retainer | ECMBR2 |
| KO Plate with Knockouts | ECMMKOP |
| KO Plate w/o Knockouts | ECMMNKOP |

Schematic



© 2010 Copyright Siemens Industry, Inc.

Siemens Industry, Inc.
Building Technologies Division

PowerMod™ Meter Stack

Catalog Numbers:
WMM62125J, WMM62125RJ, WMM62125RJB

Size B Dwg. No. **125A_3Ph_6Pos**

Dwn KAM Date 1/27/10 DO NOT SCALE DRAWING SHEET 1 OF 1

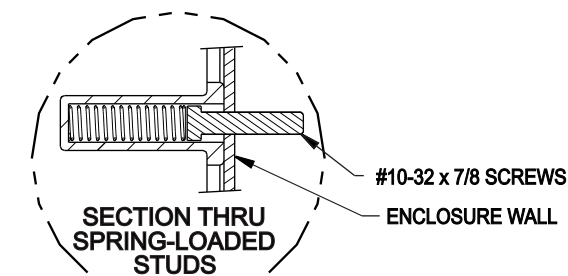
VIEW SHOWN WITHOUT COVER

(6) #4-2/0 NEUTRAL LUGS

REMOVABLE BACK PLATE WITH (6) 1, 1-1/4, 1-1/2, 2" KOs

(7) #4-2/0 GROUND LUGS

SPRING LOADED STUDS - SEE DETAIL



SECTION THRU SPRING-LOADED STUDS

#10-32 x 7/8 SCREWS ENCLOSURE WALL

(6) KOs 1, 1-1/4, 1-1/2, 2"

70-5/16

9 TYP.

12-5/32

12-31/32

3-1/2 TYP.

2-27/32

3-1/4

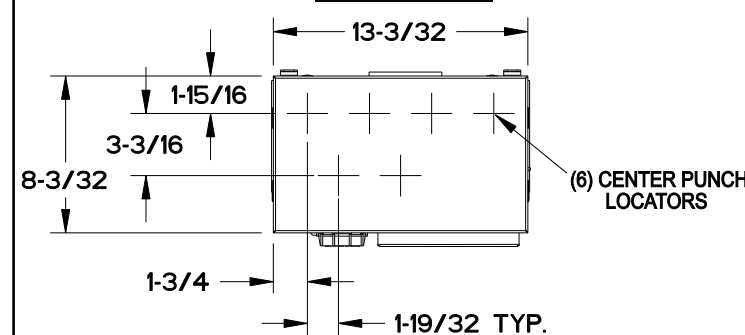
2-9/32

(6) KOs 1, 1-1/4, 1-1/2, 2"

36" TO BOTTOM OF QUICK ROLL BRACKET

24-3/8 TO CROSS BUS CENTER

TOP VIEW



(6) CENTER PUNCH LOCATORS