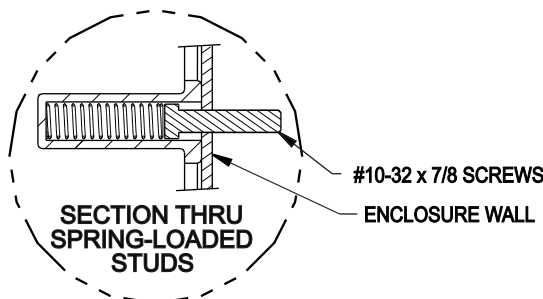
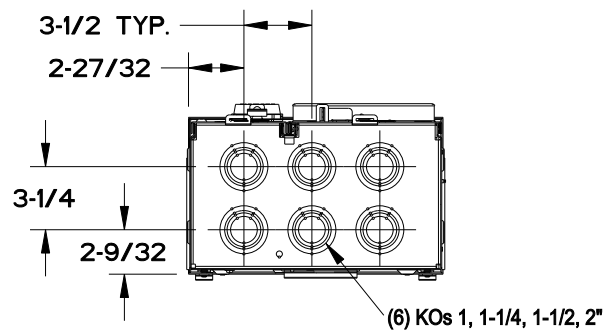
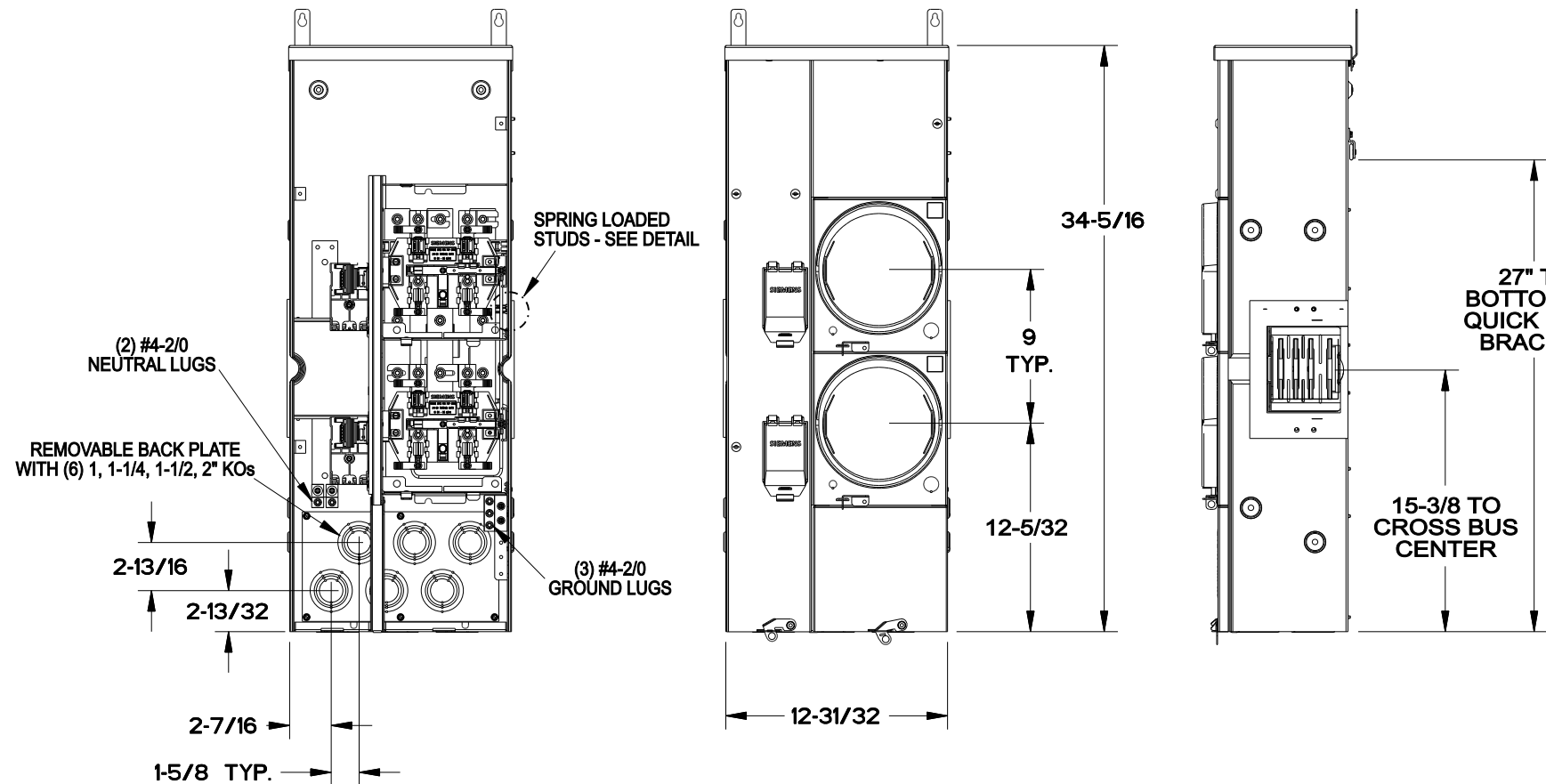
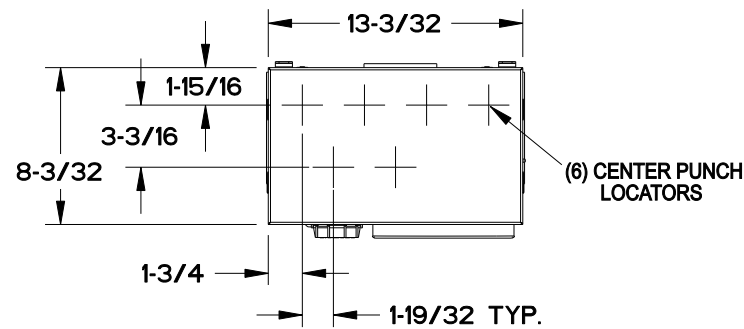


VIEW SHOWN
WITHOUT COVER



**WMM22125RJB
SHOWN**

Catalog Numbers, Features and Ratings

- MAIN BUS RATING: 1200 AMPS 240V AC MAX.
- METER SOCKET RATING: 125 AMPS CONTINUOUS
- 65,000 AIC RATING MAX., 125 AMPS MAX. BRANCH RATING
- 3 PHASE INPUT / 1 PHASE OUTPUT
- TYPE 3R OUTDOOR ENCLOSURE
- MOUNTING RAILS AND ADJUSTABLE BRACKETS FOR SECURE MOUNTING

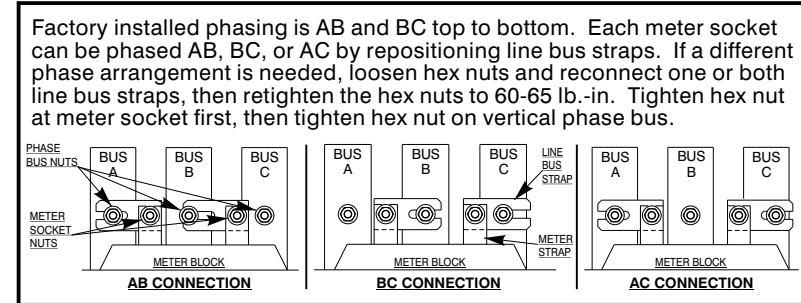
| Catalog No. | Main Bus | Branch Rating | Meter Positions | Cover Type | 5th Jaw | Horn Bypass |
|-------------|----------|---------------|-----------------|------------|-----------|-------------|
| WMM22125J | 3 Phase | 125A Max. | 2 | Ring | Installed | |
| WMM22125RJ | 3 Phase | 125A Max. | 2 | Ringless | Installed | |
| WMM22125RJB | 3 Phase | 125A Max. | 2 | Ringless | Installed | Installed |

Additional Modules

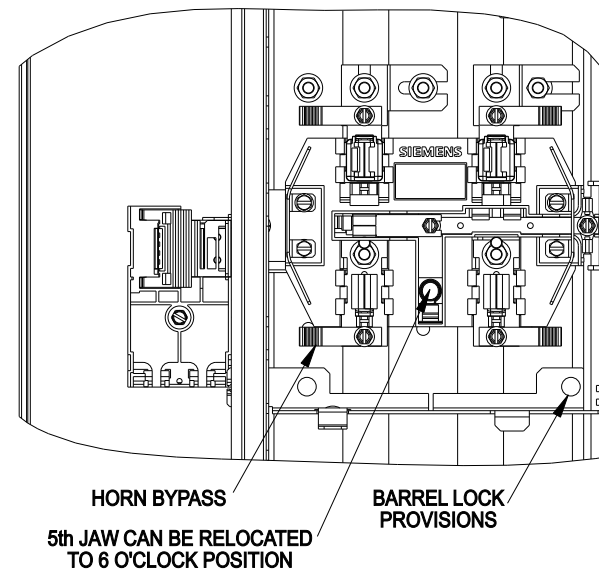
| FOR USE WITH: Module Description | Siemens Series# | Murray Series# |
|-------------------------------------|--------------------------|------------------|
| Main Breakers | (W)MC, WB, WEB | DB W |
| Switches | WMP, WMS, WS, WES | DPT W, DT W |
| Tap/Terminal Boxes | WMTB, WTB, WET | DTB W |
| Pull Boxes | WMMB, WPB, WAPB | DPB W |
| Meter Module | WMM, WxMM, WMT, WML, WMK | DG W, DC W, DL W |
| Extension Box | WMEX, WSP | DS |
| Bussed Elbow | (W)BE | DL |

| Connect Modules Using: | Catalog Number / Torque |
|------------------------|--|
| QuickConnect | QC4, Torque 400-440 lb-in (35-36 ft.-lb.) |
| Single Bolt Joint | SBJ4, Torque 400-480 lb-in (35-40 ft.-lb.) |

Rephasing Instructions



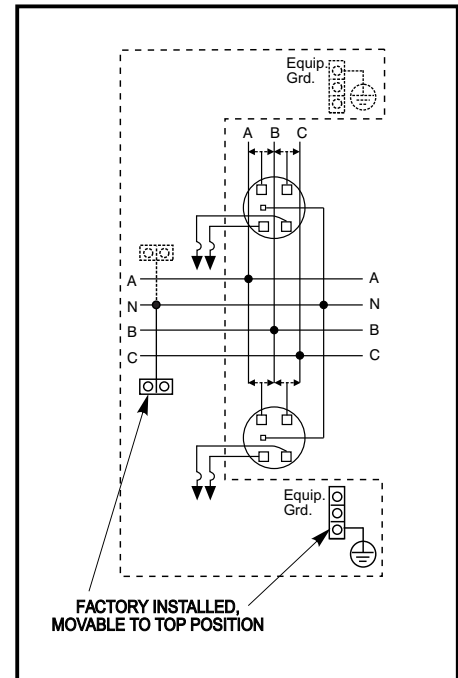
ENLARGED SOCKET DETAIL



Accessories

| Description | Catalog No. |
|--------------------------|-------------|
| Horn By-Pass Mod | ECMFH |
| End Closure Plate | WMEP |
| 5th Jaw Mod | ECMF5 |
| Meter Cover Plate | ECCP3 |
| Meter Socket | ECMFS |
| 125A Breaker Mounting | ECMFBM1 |
| Meter Cover, Ring Type | ECMFMC |
| Meter Cover, Ringless | ECMFMC R |
| Parts Kit | ECMF PK |
| Load Cover Screws | ECMFCS |
| Bottom Pull Cover | ECMFC |
| Mounting Rail | MMRAIL |
| Mounting Clip | MMCLIP |
| Quick Phase Strap | ECMFPS |
| Breaker Cover Repl. | ECBC |
| Mounting Tabs (2) | ECMFTAB |
| Ground/Ntl Bar Kit | ECMFGN125 |
| Ringless Conversion Kit | ECMMRLCK |
| Back Rail/Clip | ECMFWLCLIP |
| Wall Mounting Rail (60") | MMZR60 |
| QP Breaker Retainer | ECMBR2 |
| KO Plate with Knockouts | ECMMKOP |
| KO Plate w/o Knockouts | ECMMNKOP |

Schematic



© 2010 Copyright Siemens Industry, Inc.

Siemens Industry, Inc.
Building Technologies Division

PowerMod™ Meter Stack

| | | | |
|---|-----|--------------|----------------------|
| Catalog Numbers: WMM22125J, WMM22125RJ, WMM22125RJB | | | |
| Size B | | Dwg. No. | 125A_3Ph_2Pos |
| Dwn | KAM | Date | 1/27/10 |
| DO NOT SCALE DRAWING | | SHEET 1 OF 1 | |