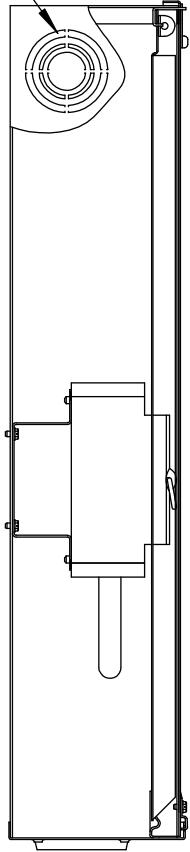
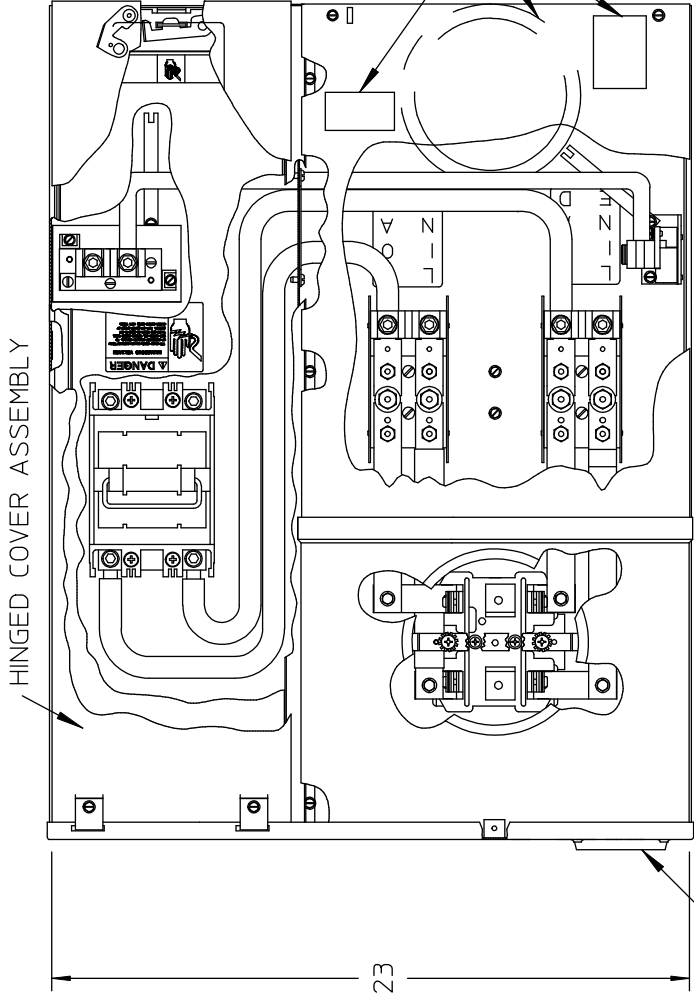


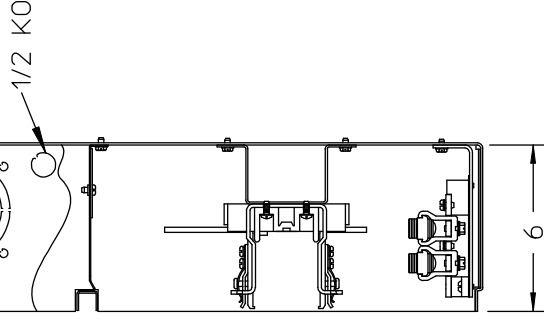
2-1/2, 2, 1-1/2,
1-1/4, 1, 3/4,
1/2 KO (3)PLCS



3, 2-1/2, 2, 1-1/2,
1-1/4, 1 KO (2)PLCS



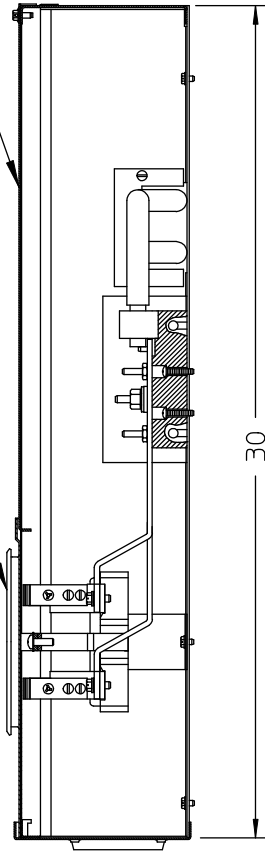
5/16 KO (8)PLCS



SEE
NOTE
#4

SIEMENS "HC" SERIES
HUB OPENING, TALL

MS COVER ASSEMBLY PULL-SECTION DOOR



NOTES:

- 1) FINISH: GRAY
- 2) CABINET: BACK IS FABRICATED FROM 14 GA GALV STEEL. TOP, BOTTOM, BARRIER AND FRONT IS FABRICATED FROM 16 GA GALV STEEL.
- 3) 200 AMP, 120/240 VAC, 3 PHASE, 4 WIRE
- 4) SEALING RING, HUB COVER PLATE ASY, & NEMA INSTR SHEET PLACED INSIDE OF BOX BEFORE PULL-SECTION COVER IS SECURED.
- 5) UL LISTED - FILE E27485

LANDIS & GYR CATALOG NO:
MM0202F1200CEY

FEED:
TOP OR BOTTOM

BREAKER LOCATION:
SIDE SECTION

TYPE 3R ENCLOSURE (RAINPROOF).

SUITABLE FOR USE AS SERVICE EQUIPMENT WHEN NOT MORE THAN SIX MAIN DISCONNECTING MEANS ARE PROVIDED. WHEN USED AS SERVICE EQUIPMENT, BOND NEUTRAL AND APPLY "SERVICE DISCONNECT" LABEL NEAR THE DISCONNECT HANDLE.

DEVICE RATING: 200 AMPS MAXIMUM; 120/240 VAC (4 JAW METER), SINGLE PHASE, THREE WIRE OR 208Y/120 VAC (5 JAW METER), THREE WIRE, METER SOCKET RATING: 200 AMPS CONTINUOUS.

THIS DEVICE HAS A MAXIMUM SHORT CIRCUIT CURRENT RATING OF 100,000 RMS SYMMETRICAL AMPERES AT 240 VAC MAXIMUM. (Wait-Hour meter not included in short circuit current rating), WHEN 300 VOLT CLASS FUSES ARE INSTALLED, REPLACEMENT PULLOUT SWITCH MUST BE OF SAME TYPE, RATING & MANUFACTURER.

TERMINAL TIGHTENING TORQUES, LB-IN.

WIRE SIZE, kcmil or AWG	LOAD & NEUTRAL PHASE, LINE	SERVICE GROUND	EQUIPMENT GROUND LARGE HOLE	EQUIPMENT GROUND SMALL HOLE
250-2/0	250	---	---	---
1/0 - 3	250	50	45	---
4	250	45	45	---
6	250	45	45	35
8	---	40	40	25
10 - 12	---	35	35	20

TORQUE TEST BLOCK CIRCUIT CLOSING (DISCONNECT) NUT (5/8" ACROSS FLATS) TO 50 LB-IN.

PULLOUT SWITCH LOAD: SIZE WIRE IN ACCORDANCE WITH DEVICE RATING AND WIRE BENDING SPACE. SEE MARKINGS ON PULLOUT FOR TORQUE REQUIREMENTS.

TERMINALS SUITABLE FOR USE WITH 60/75°C, AL/CU INSULATED WIRE

FOR EQUIPMENT GROUND BAR ORDER ECLX SERIES, FOR 5TH JAW ORDER UX005B, IF HUB IS REQUIRED SELECT FROM "HC" LIST BELOW, OR USE ECHCRXA ADAPTER WITH HUBS SELECTED FROM "RX" LIST BELOW.

HC TYPE HUBS SIZE	CAT. NO.	RX TYPE HUBS SIZE	CAT. NO.
2"	ECHC200	1-1/2"	EC38598
2-1/2"	ECHC250	2"	EC38599
3"	ECHC300	2-1/2"	EC38600

UNLESS OTHERWISE SPECIFIED
DIMENSIONS ARE IN INCHES

TOLERANCES:
.XX
.XXX
HOLE DIAMETER
ANGULAR
UNDIMENSIONED 90° ANGLES

DWN	CJD	DATE	10-23-07
CHK		DATE	
APVD		DATE	

-CONFIDENTIAL-PROPERTY OF

Siemens Energy & Automation, Inc.

Residential Products Division

SKT 200A 1P H0 EUSERC

ISSUE RELEASE NO.

DWG NO.

MM0202F1200CEY

SCALE

DO NOT SCALE DRAWING

SHEET 1 OF 1