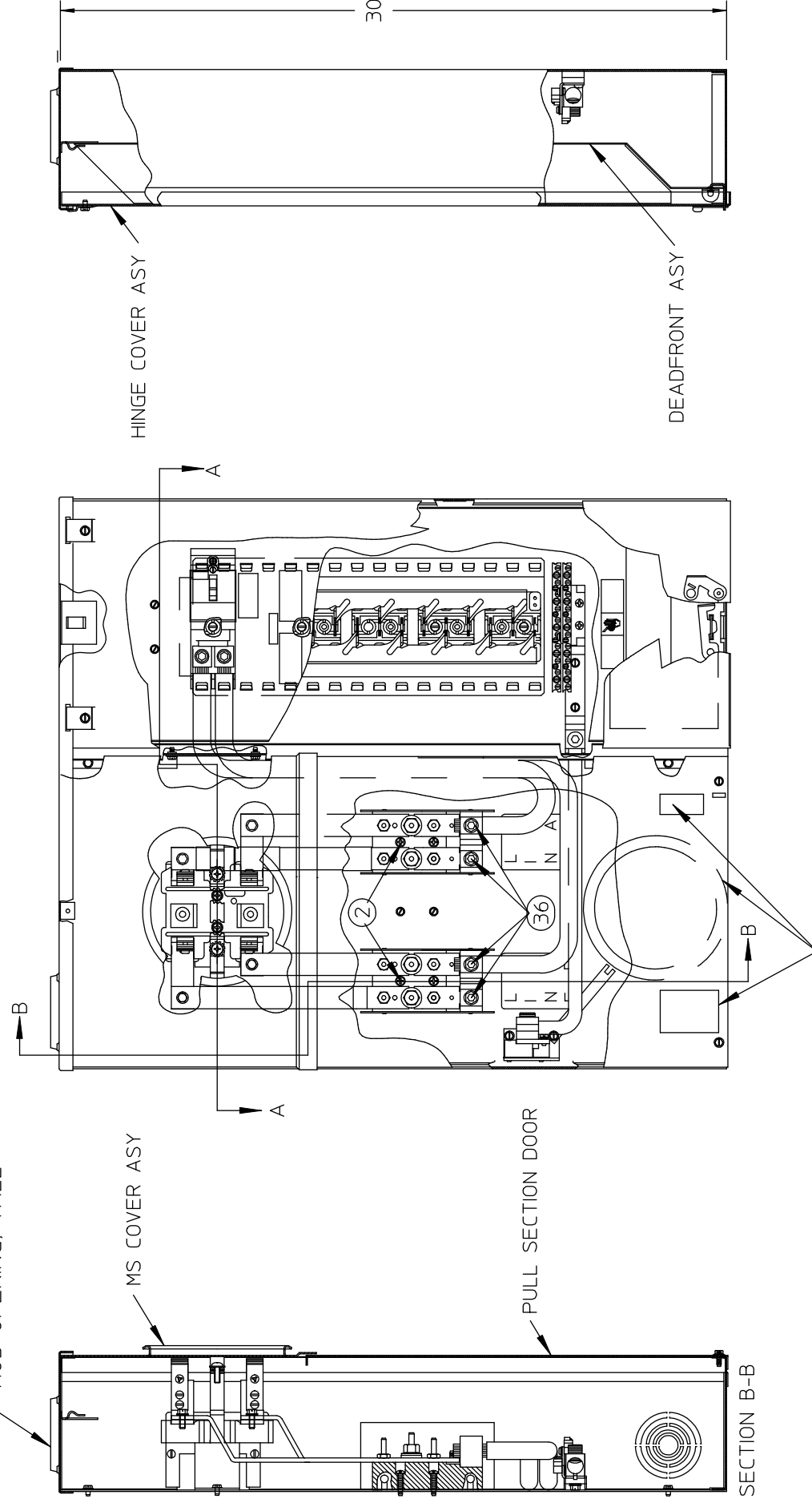


SECTION A-A



SEE NOTE 4

NOTES:

- 1) FINISH: GRAY
- 2) CABINET BACK IS FABRICATED FROM 14GA. GALVANIZED STEEL.
- 3) FRONTS FABRICATED FROM 16GA. GALVANIZED STEEL.
- 4) 200AMP CONTINUOUS, 120/240 VAC, 1 PHASE, 3 WIRE SEALING RING, HUB COVER PLATE ASY, AND NEMA INSTRUCTION SHEET PLACED INSIDE BOX BEFORE PULL SECTION DOOR IS SECURED.
- 5) UL LISTED - FILE E27485

CATALOG NO. MC2440B1200CEY  
 TYPE 3R ENCLOSURE (RAINPROOF) TOP OR BOTTOM FEED.  
 SUITABLE ONLY FOR USE AS SERVICE EQUIPMENT.  
 DEVICE RATING: 200 AMPS MAXIMUM; 120/240 VAC (4 JAW), SINGLE PHASE, THREE WIRE, OR 208Y/120 VAC (5 JAW), THREE WIRE. METER SOCKET RATING: 200 AMPS CONTINUOUS.

THIS DEVICE HAS A MAXIMUM SHORT CIRCUIT CURRENT RATING OF 22,000 RMS SYMMETRICAL AMPERES AT 240 VAC MAXIMUM. (Watt-hour meter not included in short circuit current rating). THE ACTUAL RATING IS DEPENDENT ON THE BRANCH BREAKER INSTALLED IN THIS PANELBOARD AND THE SERVICE DISCONNECT MAIN BREAKER INSTALLED IN THIS PANELBOARD. THE CORRECT BRANCH BREAKER AND MAIN SERIES COMBINATIONS TO BE USED WITH THE VARIOUS SHORT CIRCUIT CURRENT RATINGS ARE LISTED IN THE TABULATION BELOW. ANY CIRCUIT BREAKER INSTALLED OR REPLACED IN THIS PANELBOARD MUST BE MANUFACTURED BY SIEMENS AND MUST BE OF THE CORRECT TYPE AS INDICATED IN THE TABULATION BELOW.

MAX short circuit current rating in RMS symmetrical Amperes	*Installed Service Disconnect	Field Installed Branch Circuit Breaker Types
22,000	Murray Type MD-HTR or Siemens Type QNRH	Murray MP-T, MP-HT, MP-MT, MH-T, MP-GT & MP-HGT, MP-ET, MP-HET, MD-TR, MP-HTR or MD-MTR Siemens OP, OPH, HQP, QT, QPF & QPHF, QE, QEH, QNR, QNRH, or HQNR
	Murray Type Md-Tr or Siemens Type QNR	Murray MP-T, MP-HT, MP-MT, MH-T, MP-GT & MP-HGT, MP-ET, MP-HET, MD-TR, MD-HTR, MD-MTR Siemens OP, OPH, HQP, QT, QPF & QPHF, QE, QEH, QNR, QNRH or HQNR

\*Breakers rating must be greater than or equal to the device short circuit current rating.  
 TERMINALS SUITABLE FOR USE WITH 60/75°C, AL/CU INSULATED WIRE  
 SIZE WIRE ONLY TO 60°C OR 75°C AMPACITY LIMITS AND IN ACCORDANCE WITH BREAKER MARKINGS AND WIRE BENDING SPACE REQUIREMENTS.  
 TERMINAL TIGHTENING TORQUES, LB-IN

WIRE SIZE (kcmil or AWG)	□	⊠	○	○
300	---	250	---	---
250-2/0	---	250	---	---
1/0	---	250	45	---
1-4	---	250	45	---
6	---	250	45	35
8	---	---	40	25
10-14	---	---	35	20

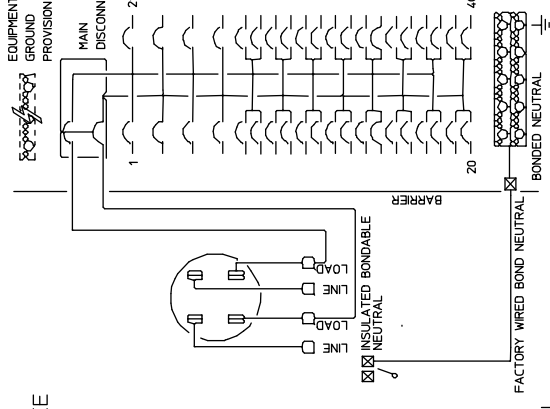
TERMINAL WIRE RANGES (AWG)

- = (1) 250-1/0
- ⊠ = (1) 300 - #6
- = (1) #1-14CU, #1-12AL OR (2 OR 3)\* #10-14CU, #10-12AL
- = (1) #6-14CU, #6-12AL OR (2) #12-14CU, #12AL

TEST BLOCK CONTACT NUT (5/8" ACROSS FLATS): TORQUE TO 50 LB-IN.  
 \*ONLY EQUIPMENT GROUND TERMINAL MAY USE MORE THAN ONE CONDUCTOR PER TERMINAL.

FOR EQUIPMENT GROUND BAR ORDER ECLX SERIES, FOR 5TH JAW ORDER UX005B, FOR 1" FILLER PLATE ORDER ECF03, FOR MD OR ON FILLER PLATE ORDER LX400FP IF HUB IS REQUIRED SELECT FROM "HC" LIST BELOW, OR USE ECHCRXA ADAPTER WITH HUBS SELECTED FROM "RX" LIST BELOW.

SIZE	CAT. NO.	SIZE	CAT. NO.
2"	ECHC200	1-1/2"	EC38598
2-1/2"	ECHC250	2"	EC38599
3"	ECHC300	2-1/2"	EC38600



UNLESS OTHERWISE SPECIFIED DIMENSIONS ARE IN INCHES

TOLERANCES:  
 .XX  
 .XXX

HOLE DIAMETER  
 ANGULAR  
 UNDIMENSIONED 90° ANGLES

DWN CJD DATE 10-23-07  
 CHK DATE  
 APVD DATE

HC TYPE HUBS RX TYPE HUBS  
 SIZE CAT. NO. SIZE CAT. NO.  
 1-1/2" EC38598  
 2" EC38599  
 2-1/2" EC38600

-CONFIDENTIAL-PROPERTY OF  
**Siemens Energy & Automation, Inc.**  
 Residential Products Division

MTR SKT 200A 4T HO EUSERC

SIZE B ISSUE RELEASE NO. DWG NO. MC2440B1200CEY REV  
 SCALE DO NOT SCALE DRAWING SHEET 1 OF 1