

TYPE 3R ENCLOSURE (RAINPROOF) TOP FEED ONLY.

SUITABLE ONLY FOR USE AS SERVICE EQUIPMENT.
 DEVICE RATING: 100 AMPS MAXIMUM, 120/240 VAC, 1/4 JAW, SINGLE PHASE, THREE WIRE, OR 208Y/120 VAC
 15 JAW, THREE WIRE. METER SOCKET RATING: 100 AMPS CONTINUOUS.

THIS DEVICE HAS A MAXIMUM SHORT CIRCUIT CURRENT RATING OF 65,000 RMS SYMMETRICAL AMPERES AT
 240 VAC MAXIMUM (high-hour meter not included in short circuit rating). THE ACTUAL RATING IS
 DEPENDENT ON THE BRANCH BREAKER INSTALLED IN THIS PANELBOARD AND THE SERVICE DISCONNECT
 MAIN BREAKER INSTALLED IN THIS PANELBOARD. THE CORRECT BRANCH BREAKER AND MAIN SERIES
 COMBINATIONS TO BE USED WITH THE VARIOUS SHORT CIRCUIT CURRENT RATINGS ARE LISTED IN THE
 TABULATION BELOW. ANY CIRCUIT BREAKER INSTALLED OR REPLACED IN THIS PANELBOARD MUST BE
 MANUFACTURED BY SIEMENS AND MUST BE OF THE CORRECT TYPE AS INDICATED IN THE TABULATION
 BELOW.

MAX short circuit current rating in RMS symmetrical Amperes	BRANCH BREAKER	
	Panelboard Main Installed Service Disconnect *Breaker	Field Installed Branch Circuit Breaker Types
65,000	Murray Type MP-MT or Siemens Type HOP	Murray MP-T, MP-HT, MP-MT, MH-T, MP-GT & MP-HGT 15-30A, MP-ET, MP-HET, MP-AT, MP-HAT Siemens OP, OPH, HOP, OT, OPF & OPFH 15-30A, OE, OEH, OAF, OAFH
	Murray Type MP-HT or Siemens Type OPH	Murray MP-T, MP-HT, MP-MT, MH-T, MP-GT & MP-HGT 15-30A, MP-ET, MP-HET, MP-AT, MP-HAT Siemens OP, OPH, HOP, OT, OPF & OPFH 15-30A, OE, OEH, OAF, OAFH
22,000	Murray Type MP-T or Siemens Type OP	Murray MP-T, MP-HT, MP-MT, MH-T, MP-GT & MP-HGT 15-30A, MP-ET, MP-HET, MP-AT, MP-HAT Siemens OP, OPH, HOP, OT, OPF & OPFH 15-30A, OE, OEH, OAF, OAFH
	Murray Type MP-T or Siemens Type OP	Murray MP-T, MP-HT, MP-MT, MH-T, MP-GT & MP-HGT 15-30A, MP-ET, MP-HET, MP-AT, MP-HAT Siemens OP, OPH, HOP, OT, OPF & OPFH 15-30A, OE, OEH, OAF, OAFH

*Breakers rating must be greater than or equal to the device short circuit current rating.

FOR 1" FILLER PLATE ORDER ECOF3. FOR EQUIPMENT GROUND BAR ORDER ECLX SERIES. FOR 5TH JAW ORDER EC5J. IF HUB IS REQUIRED SELECT FROM LIST BELOW.

RX TYPE HUBS

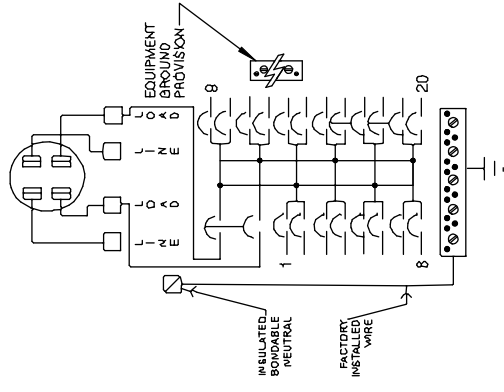
SIZE	CAT. NO.
1 1/4"EC38597
1 1/2"EC38598
2"EC38599
2 1/2"EC38600

TERMINALS SUITABLE FOR USE WITH 60/75°C, AL/CU INSULATED WIRE
 SIZE WIRE ONLY TO 60°C OR 75°C AMPACITY LIMITS AND IN ACCORDANCE WITH BREAKER MARKINGS AND WIRE BENDING SPACE REQUIREMENTS.

WIRE SIZE (AWG)	□	▣	⊗	●
2/0	110	-	-	-
1/0	110	50	-	-
1-3	110	50	45	-
4	110	45	45	-
6	110	45	45	35
8	-	40	40	25
10-14	-	35	35	20

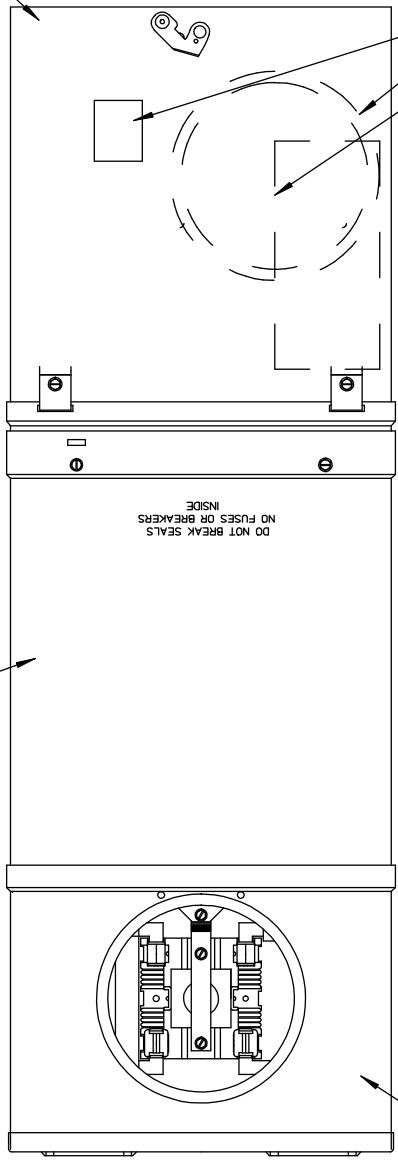
TERMINAL WIRE RANGES (AWG)

- = (1) #2/0-6
- ▣ = (1) #1/0-14
- ⊗ = LIMITED TO (1) #1-14CU, #1-12AL OR (2 OR 3) #10-14CU, #10-12AL
- = (1) #6-14CU, #6-12AL OR



TEST BLOCK CONTACT NUT (5/8" ACROSS FLATS); TORQUE TO 50 LB-IN.
 *ONLY EQUIPMENT GROUND TERMINAL MAY USE MORE THAN ONE CONDUCTOR PER TERMINAL.

PULL-SECTION DOOR



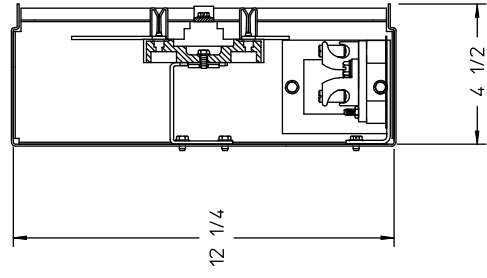
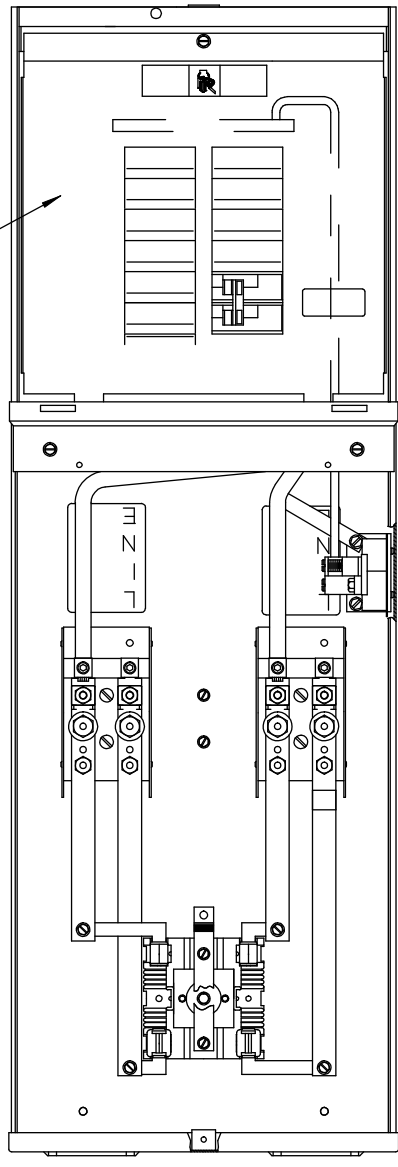
METER SOCKET COVER ASSEMBLY

3/4, 1/2 KO (5) PLACES

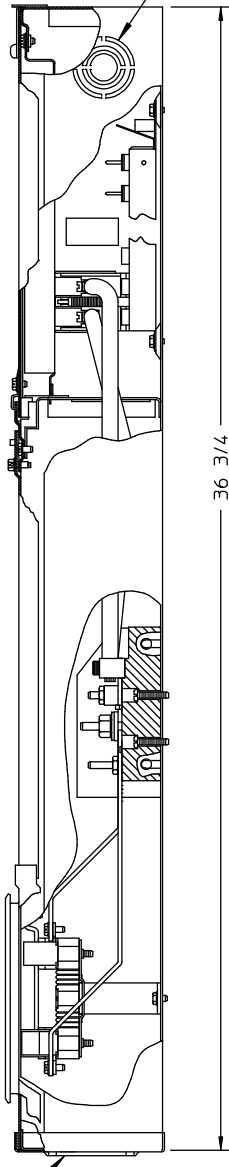
1/2 KO (7) PLACES

1, 3/4, 1/2 KO (2) PLACES

BREAKER DEADFRONT



3-5/16 HUB OPENING (2)



NOTES:

1. FINISH: GRAY
2. CABINET: 16 GA GALV STEEL.
3. 100 AMP, 120/240 VAC, 1PHASE, 3 WIRE
4. SEALING RING, HUB COVER PLATE ASSEMBLY, NEMA INSTRUCTION SHEET PLACED INSIDE OF BOX BEFORE DEADFRONT IS SECURED.
5. UL LISTED - FILE E27485

UNLESS OTHERWISE SPECIFIED DIMENSIONS ARE IN INCHES TOLERANCES:
 .XX
 .XXX
 HOLE DIAMETER
 ANGULAR
 UNDIMENSIONED 90° ANGLES

-CONFIDENTIAL-PROPERTY OF
Siemens Energy & Automation, Inc.
 Residential Products Division

SKT 100A 1P H0 (2) EUSERC

DWN CJD DATE 10-03-07

CHK DATE

APVD DATE

SIZE C

SCALE

DO NOT SCALE DRAWING

REV

MC1020B1100EY

SHEET 1 OF 1