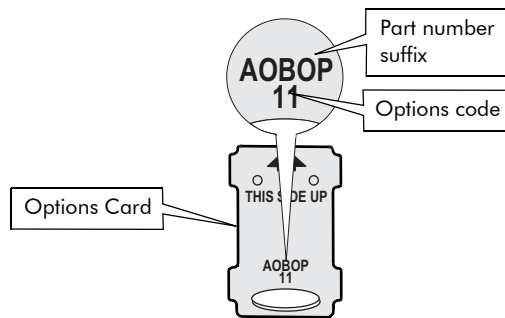


9200 Options Card

The basic 9200 meter has an Options Card that enables standard measurements: voltage and current. You can also order an Options Card that enables extended capabilities including: RS-485 communications, two digital pulse outputs, and additional measurements (Enhanced Measurement Packages 1 and 2). Refer to the *9200 Installation and Operation Guide* for more information.

To determine your meter options, compare the options code from your Options Card to the table below.



Options Card Combinations

Options Code ¹	Part Number Suffix ²	Description
7	AOA0N	Standard Measurements, RS-485
8	AOA0P	Enhanced Package #1, RS-485
9	AOA0R	Enhanced Package #2, RS-485
10	A0B0N	Standard Measurements, two pulse outputs, RS-485
11	A0B0P	Enhanced Package #1, two pulse outputs, RS-485
12	A0B0R	Enhanced Package #2, two pulse outputs, RS-485

¹ This is the code number displayed on the meter Options Code screen.

² This is the part number used to order the meter.

Installing the Options Card

DANGER

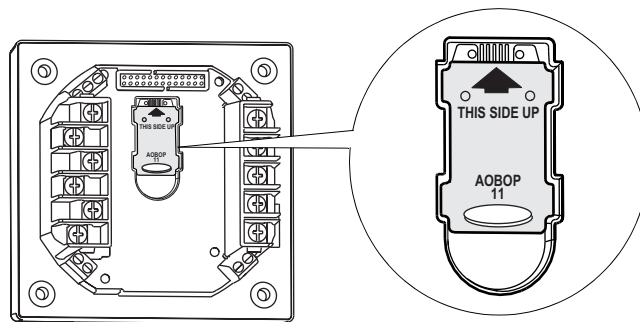
Installation and maintenance of ACCESS meters and meter options should only be performed by qualified personnel that have appropriate training and experience with high voltage/current devices. Refer to Installation Considerations, and the Danger, Warning, and Limitation of Liability notices in the *9200 Installation and Operation Guide*.

Preparing the Meter for Options Card Installation

1. Turn off all power to the meter.
2. Ensure that all cables still connected to the meter are **not** live.
3. Ensure that the Line and Neutral (or DC power) wires to the power supply inputs of the meter are **not** live.
4. Disconnect the power source and remove the power supply.

Plugging in an Options Card

1. Place the Options Card into the slot with the arrow on the Options Card pointing toward the top of the meter. Slide the card in the direction of the arrow until it is firmly seated.



2. Re-attach the power supply to the meter, and re-energize the power supply.
3. Re-energize all wiring connected to the meter.
4. Power up the meter and verify correct operation.