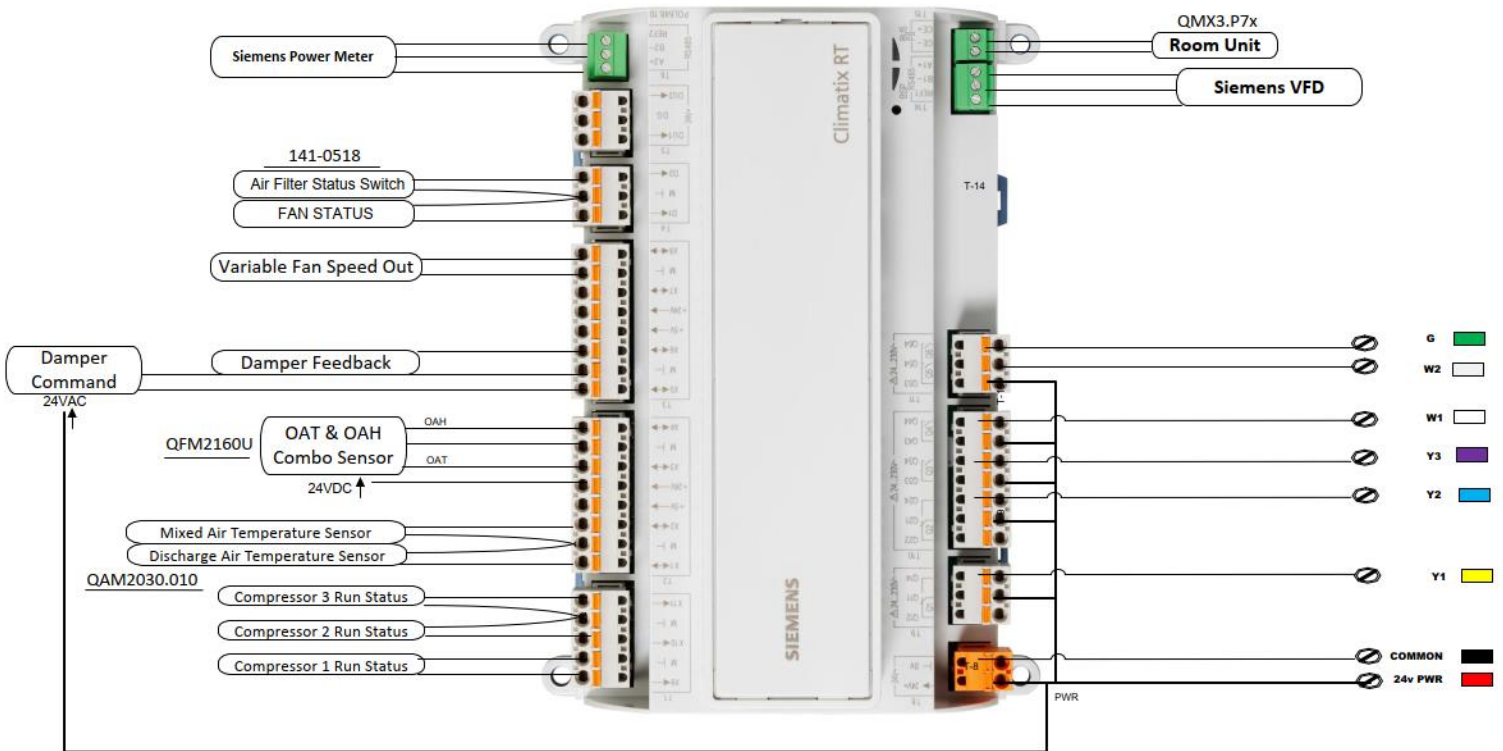
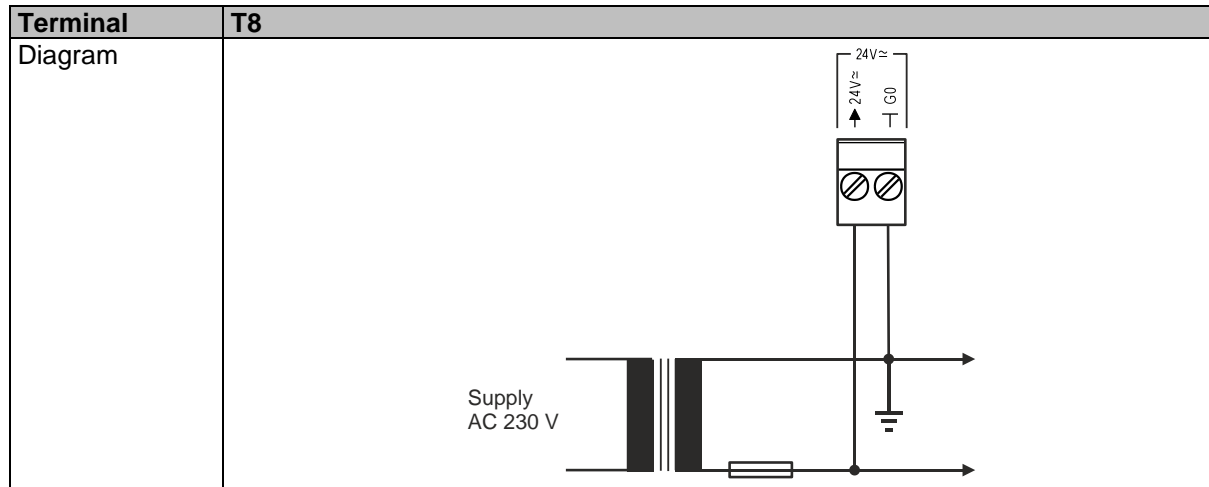




Climatix RT RTU Controller POL648.10/RTU

Power supply



Auxiliary Inputs

X9	Compressor 1 Run Status
X10	Compressor 2 Run Status
X11	Compressor 3 Run Status

Auxiliary Outputs


X1	Discharge Air Temperature Sensor
X2	Mixed Air Temperature Sensor
X3	Outside Air Temperature Sensor
X4	Outside Air Humidity Sensor
X5	Damper Command
X6	Damper Feedback
X7	Not assigned
X8	Not assigned

Digital Inputs

DI1	Traditional Fan Speed Feedback
DI2	Clog Filter Switch Status
DI3	Not assigned
DI4	Not assigned

Digital Outputs

D01	Compressor 1 Run Enable
D02	Compressor 2 Run Enable
D03	Compressor 3 Run Enable
D04	Heater Stage 1 Enable
D05	Heater Stage 2 Enable
D06	Traditional Fan Speed DO

Document ID	Title	Description	QR Code
A6V12001603	<i>Climatix RT Rooftop Unit Controller Data Sheet</i>	Functions, use, technical data, terminal concept, and dimensions for the POL648.10/RTU controller	
A6V12250551	<i>Climatix RT RTU Controller POL648.10/RTU Installation Instructions</i>	Mounting and wiring the Climatix controller	
A5W00153010	<i>Climatix RT RTU Controller POL648.10/RTU Quick Start Guide</i>	Pre-assigned I/O terminations for Climatix RT	
A6V12053407	<i>Remote Monitoring and Intelligent Diagnostics for Roof Top Unit Controllers Start Up</i>	Startup document for Climatix RTU solution and Climatix IC setup	
A6V101099058_en	Climatix: Technical Limits	Technical limits of controller devices and integration	

Information in this publication is based on current specifications. The company reserves the right to make changes in specifications and models as design improvements are introduced. Product or company names mentioned herein may be the trademarks of their respective owners. © 2020 Siemens Industry, Inc.