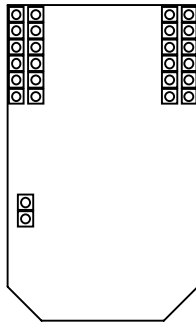


Bus Interface Module BIM M130, M131, M132, M135

TECHNICAL DATA



Features

- *EIB* and KNX Bus Interface Module for piggyback-use on PCBs
- NEC 78K0/Kx2 microcontroller, contains the KNX System 2 stack and application
- PEI (Physical External Interface), one 8-bit I/O port and two PWMs for applications available
- User Flash memory
- User RAM
- Same pin-out as BIM M111/115 and M113
- Operating Temperature Range:
 - 5 to + 45 °C (M130, M131, M132)
 - 25 to + 70 °C (M135)
- Complies to KNX specification
- RoHS compliant

Description

The BIM M13x series of bus interface modules is based on the NEC 78K0/Kx2 microcontroller family providing state of the art flash memory technology. This enables the application designer to utilize a modern tool chain including debug tools leading to shorter software development times. In addition the BIM M13x series is designed with a high degree of hardware compatibility to BIM M111/115 and BIM M113 enabling to replace the BIM M111/113/115 in existing hardware in most cases reducing the development effort to the application software. As in BIM M111/113/115 the application interface includes the PEI, Reset, two PWMs and one 8-bit processor port. Additional pins to connect the external programming button and LED are available.

The BIM M13x modules contain the System 2 software compliant to the Konnex specification.

Bus Interface Module BIM M130, M131, M132, M135**Order Numbers**

Device	Order Number
BIM M130	5WG1 130-8AA01
BIM M131	5WG1 131-8AA01
BIM M132	5WG1 132-8AA01
BIM M135	5WG1 135-8AA01

Absolute Maximum Electrical Ratings

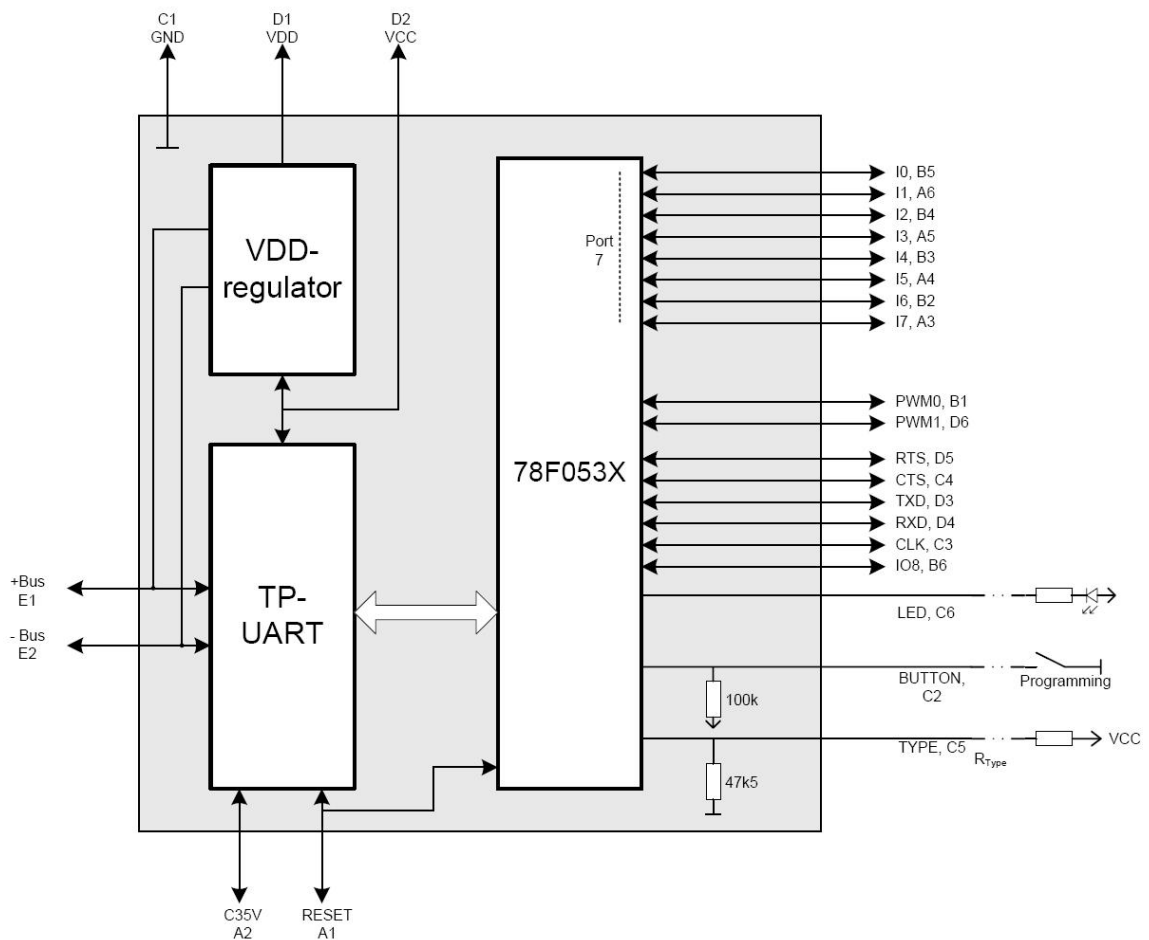
Rating	Symbol	Value	Units
Bus Voltage	V Bus	± 35	V
Microcontroller Input Voltage PEI, PWMs, Reset, LED, Button	V	GND - 0,3 to Vcc + 0,3	V

Features of the Controller

- CPU NEC 78K0/Kx2
- 8-Bit A/D-converter API
- 8-Bit pulse length modulator (PLM)
- Serial asynchronous communication
- Serial synchronous communication in software
- Input capture interrupt available
- Output compare interrupt available
- Watch dog
- one 8-bit timer
- one 16-bit timer

Bus Interface Module BIM M130, M131, M132, M135

Hardware block diagram



Note: Use the C35V-pin only for extension of "bus buffer time". Do not draw current.

Add capacitors to VCC, VDD and C35V to increase the "bus buffer time".

The following rule for a capacitor on VCC has to be obeyed:

$$C_{VCC} < C_{C35} + 300\mu F$$

Bus Interface Module BIM M130, M131, M132, M135
--

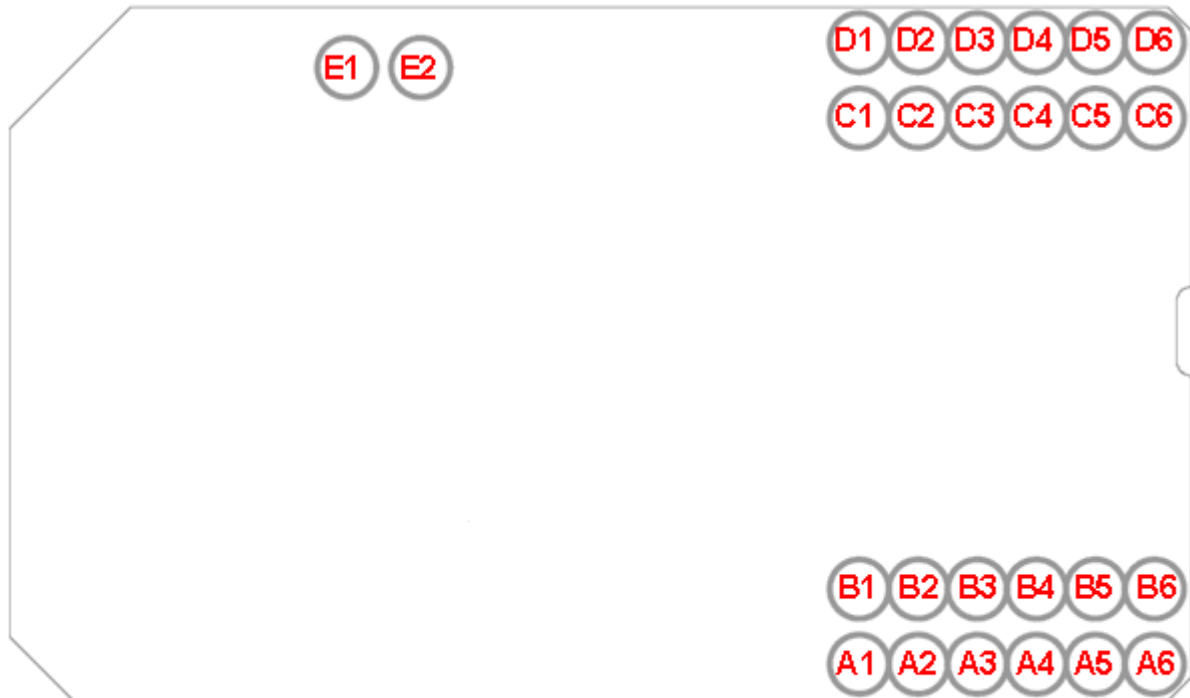
PEI (Physical External Interface)

PEI-Pin-Assignment:

	EVB-Adapter-Connector	BIM Pin Mnemonics	µC-Pins (BIM M113)	Input Options (•) (BIM M113)	Output Options (•) (BIM M113)	µC-Pins (BIM M13x)	Input Options (•) (BIM M13x)	Output Options (•) (BIM M13x)	Remarks
A1	21	RESET	_RESET			_RESET			In-/Output
A2	17	C35V							Buffer Capacitor
A3	13	IO7	PA7			P77			Digital I/O
A4	9	IO5	PA5			P75			Digital I/O
A5	5	IO3	PA3			P73			Digital I/O
A6	1	IO1	PA1			P71			Digital I/O
B1	23	PWM0	PC0	•AN0 •BEI06	•PWMA •BEI06	P15	•ANI0	•TOH0	Digital I/O, A/D-Converter, Pulse-Width-Modulation
B2	19	IO6	PA6			P76			Digital I/O
B3	15	IO4	PA4			P74			Digital I/O
B4	11	IO2	PA2			P72			Digital I/O
B5	7	IO0	PA0			P70			Digital I/O
B6	3	IO8	PC7	•AN1	•PWMA •TCMPB	P01	•ANI1 •TI010	•TO00	Digital I/O, A/D-Converter, Capture, Compare
C1	24	GND							Ground
C2	20	BUTTON	BEI05			P63			Only Digital In
C3	16	CLK	PC4	•AN6 •SPI-CLK •TCAPB •BEI07	•SPI-CLK •BEI07	P04	•ANI6 •SCK11		Digital I/O, A/D-Converter, (SPI-Clock-Out only in Software)
C4	12	CTS	PC6	•AN3 •TCAPA	•PWMA •BEI01	P33	•ANI3	•TO51	Digital I/O, A/D-Converter, Pulse-Width-Modulation, Clear to Send •←
C5	8	TYPE		•AN4		P25	•ANI4		PEI-Type, A/D-Converter
C6	4	LED	BEI05			P62			Port is an open drain
D1	22	VDD							20V
D2	18	VCC							5V
D3	14	TxD	PC3	•AN5 •SPI-MOSI	•SCI-TDO •SPI-MOSI •TCMPA	P10	•ANI5 •SI11	•TxD0	Digital I/O, A/D-Converter, UART-TxD, (SPI-Master-Out only in software)
D4	10	RxD	PC2	•AN7 •SCI-RDI •SPI-MISO	•SPI-MISO	P11	•ANI7 •RxD0	•SO11	Digital I/O, A/D-Converter, UART-RxD, (SPI-Master-In only in software)
D5	6	RTS	PC5	•AN2	•PWMB •TCMPB	P00	•ANI2 •TI000		Digital I/O, A/D-Converter, Capture, Request to Send •→
D6	2	PWM1	PC1		•PWMB	P16		•TOH1	Digital I/O, Pulse-Width-Modulation
E1	25	+ Bus							Bus Line
E2	26	- Bus							Bus Line

Bus Interface Module BIM M130, M131, M132, M135

PIN Mapping



Bus Interface Module BIM M130, M131, M132, M135
--

Electrical Characteristics

Complies to KNX Specification

Bus Interface Characteristics:

Characteristics	Symbol	Min	Max	Typical	Unit	Remarks
Operating Voltage	V _{Bus}	21	30		V	
Current consumption	I _{Bus}			5,5	mA	V _{bus} = 30 V IDD = 0mA, ICC = 0mA
Reset activation condition	VCC	4.0	4.6		V	Reset generated by transceiver. Conditions for active to reset state
	V _{C35V}	5.8	6.2			
Transmission Rate				9600	bit/s	

PEI DC-Characteristics:

Characteristics	Symbol	Min	Typ	Max	Unit	Remarks
Supply Output Voltage +5V	VCC	4.65		5.3	V	Load ≤ 10mA
Supply Output Voltage +20V	VDD	17	19	23	V	Load ≤ 5mA
Supply current	ICC			10	mA	I _{PIN} < 2,5mA (source). I _{PIN} : sum of current on i/o pins.
	ICC			7,5	mA	
Current limitation	IDD		10		mA	ICC ≤ 5mA
	IDD		5		mA	ICC = 10mA
Data output voltage	VOL VOH	VCC-0.7		0.7	V	I _{sink} < 5mA I _{source} < 3mA
Data input voltage	VIL VIH	0.8 VCC		0.2 VCC		
Analog input voltage range	VAIL VAIH	0		VCC		
Input leakage current	IL		1		uA	
IO selectable pullup		10	20	100	kΩ	
Internal reset pullup		10		25	kΩ	

Bus Interface Module BIM M130, M131, M132, M135

Behavior on power loss

After a bus voltage breakdown for more than 1,5ms the save-routine of the bcu will be called. The time to reset will be sufficient to write a 64 byte data block to the internal flash memory if VCC, VDD and Pins have no load.

Software

The microcontroller of the BIM contains a System 2 stack in flash memory compliant with the KNX-Specification. An application program may be loaded via the bus. The development environment supports application software to be written in the C programming language. Note that application code written for BIM M111/113/115 cannot be used on BIM M13x.

The available Flash and RAM space for the application program in the different BIMs are:

BIM M130: 8 kbyte flash and 200 byte application and object ram

BIM M131: 16 kbyte flash and 1.2 kbyte application and object ram

BIM M132: 48 kbyte flash (banked) and 5,2 kbyte application and object ram

BIM M135: 8 kbyte flash and 200 byte application and object ram

Note: The necessary space for code with same functionality as in BIM M111/113/115 may vary because a microcontroller with a new architecture is used and the programming language is C instead of assembler.

Tool Chain

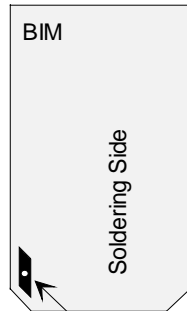
The BIM M13x supports a state of the art tool chain including On-Chip Debugging (IAR Embedded Workbench).

Bus Interface Module BIM M130, M131, M132, M135

Application Hint

To avoid malfunctioning by EMI, it is recommended to shield the BIM.

The connection for the electric screen is shown in the figure below.



Connection for electric screen (= Ground),
for information about the exact position see "Maßbild"

Bus Interface Module BIM M130, M131, M132, M135

Mechanical Specification:

