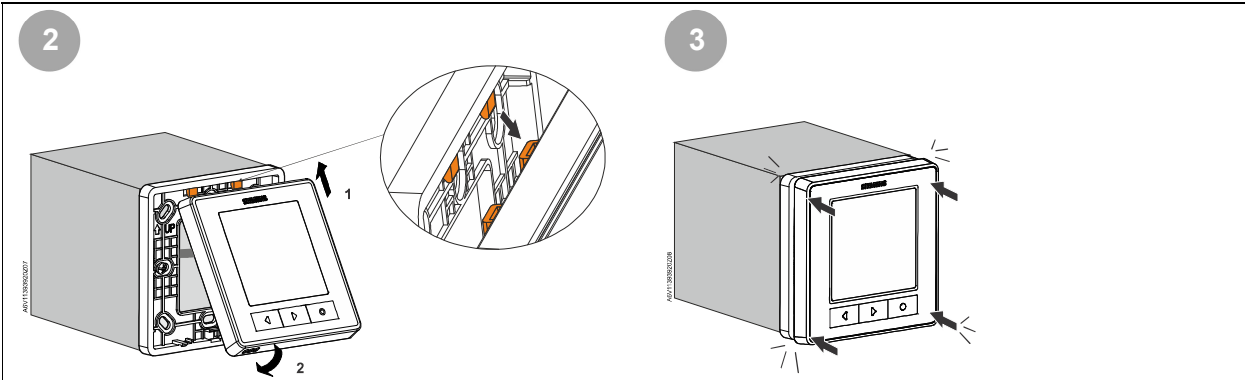
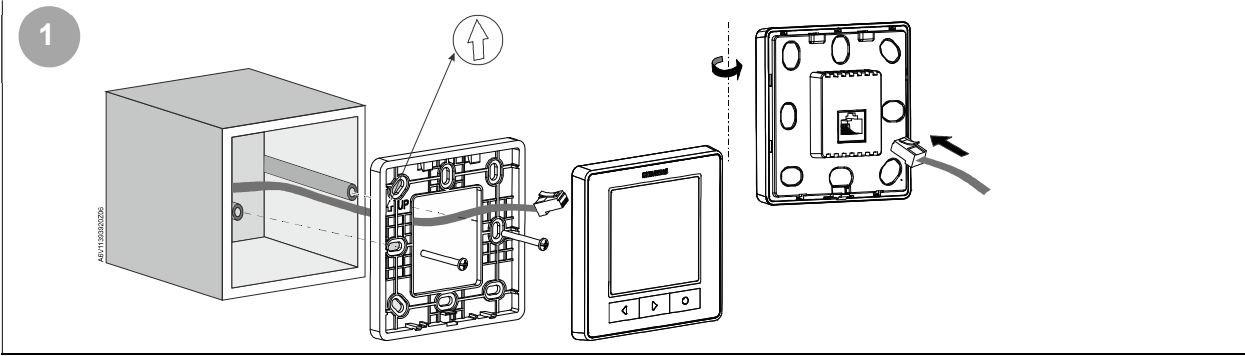
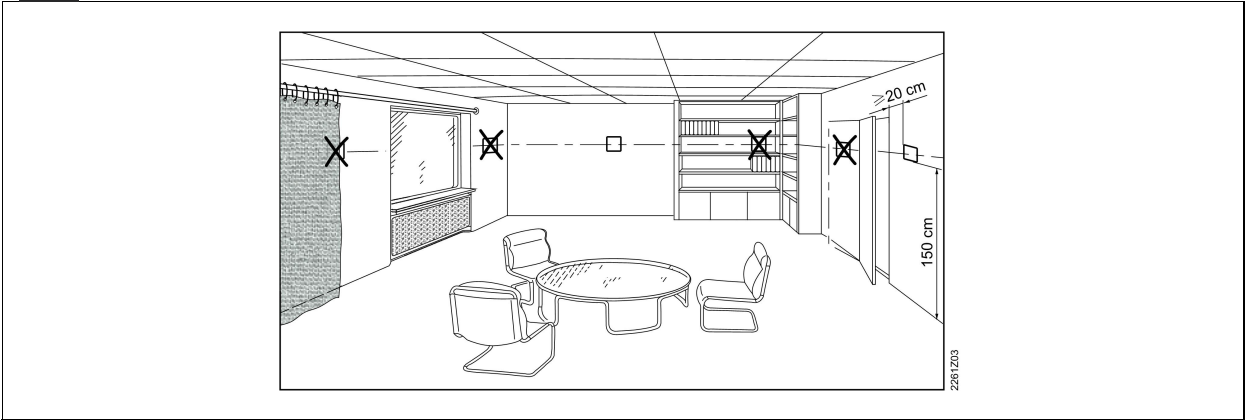


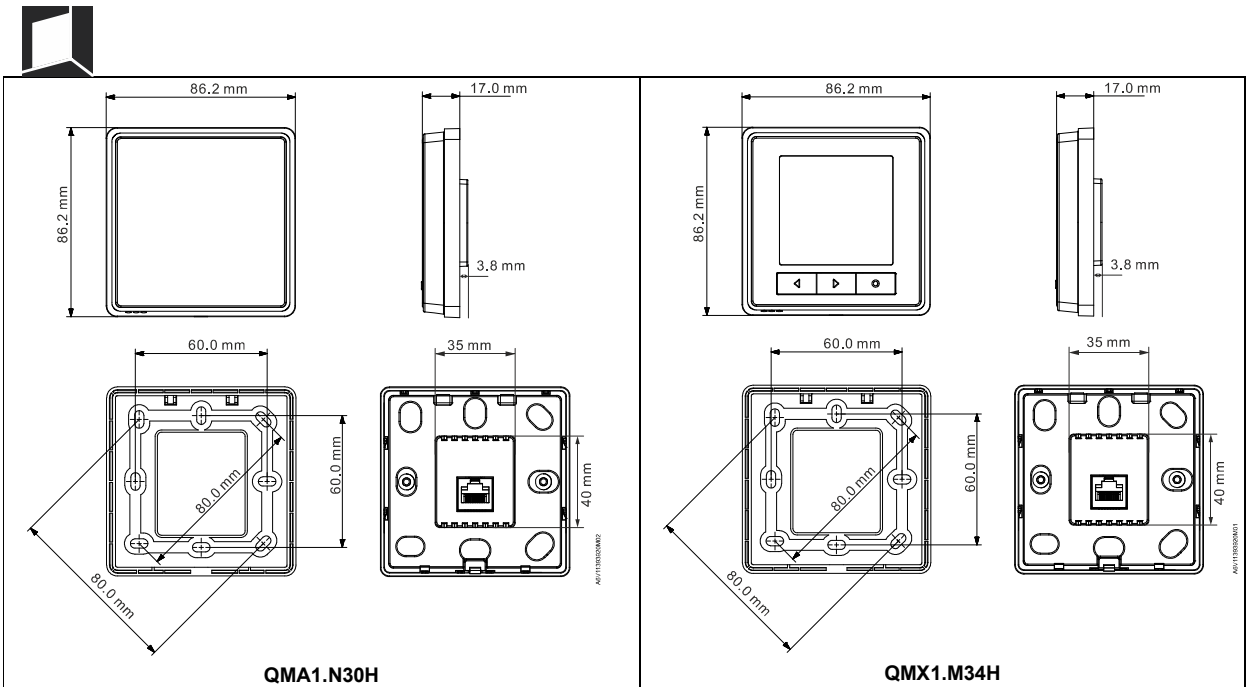
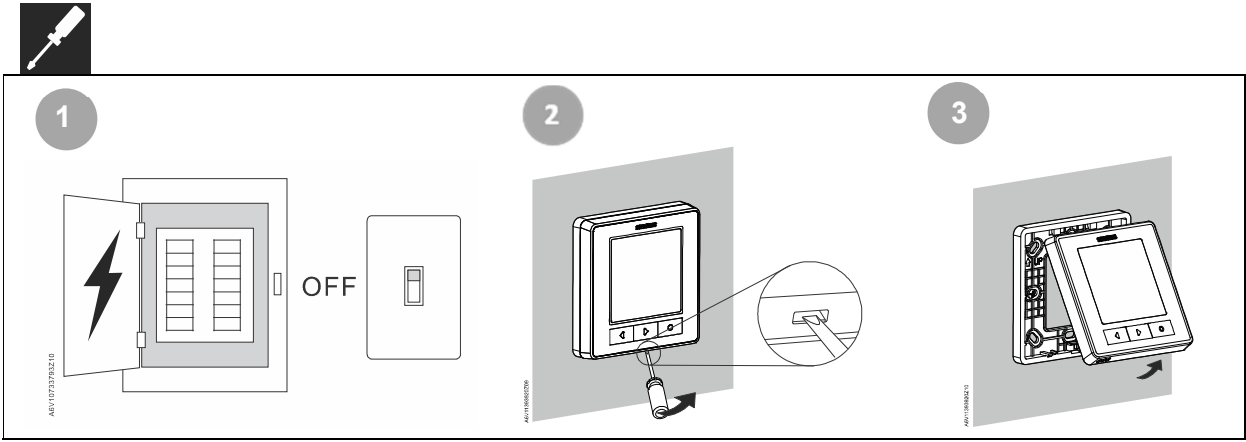


QMA1.N30H



QMX1.M34H





en Open Source Software (OSS)
(only for QMX1.M34H)

de Open Source Software (OSS)
(nur für QMX1.M34H)

zh 开源软件 (OSS)
(仅针对 QMX1.M34H)

All Open Source Software components used within the product (including copyright and licensing) is available at <https://www.siemens.com/download?A6V11607675>.

Alle im Produkt eingesetzten Open-Source-Softwarekomponenten (inclusive Copyright und Lizenzbedingungen) finden Sie unter <https://www.siemens.com/download?A6V11607675>.

产品中使用的所有开源软件组件（包括其版权所有者和许可条件）均可从网站 <https://www.siemens.com/download?A6V11607675> 中找到。

Issued by
Siemens Switzerland Ltd
Smart Infrastructure
Global Headquarters
Theilerstrasse 1a
CH-6300 Zug
Tel. +41 58 724 2424
www.siemens.com/buildingtechnologies

© Siemens Switzerland Ltd., 2019
Technical specifications and availability subject to change without notice.