

FDSB181 Sounder base Product manual

Overview

FDSB181 Sounder base is used in fire alarm systems to install FD181 series of fire detectors and sound alarm, and has 2 tones and 2 levels of sound intensity.

Compatible detectors:

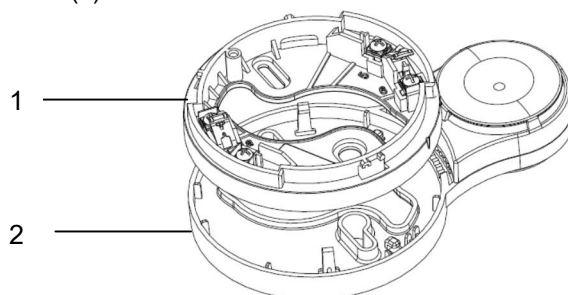
- FDO181 Smoke detector
- FDO183 Smoke detector
- FDT181 Heat detector

Feature

- Ultra low power consumption, energy saving and environmental protection
- Support field programming to start sounders
- Sound intensity ≥ 85 dB
- Large opening in the detector base for easy cable insertion
- Adopt environmental friendly and safe materials

Mechanical design

FDSB181 Sounder base is composed with two parts: universal detector base (1) and sounder base (2).



Installation

Strictly follow the engineering design drawings to install the sounder base and evenly distribute the bases while installing.

Installation procedure:

1. Insert the cables through the central hole on the base and connect them to the terminals.
2. Fix the base to the ceiling with screws.

Note:

- Install the detectors after the constructions has been finished completely.
- To ensure the connection between the base and the detector, do not use U-type terminals.
- Suggest to use twisted-pairs with the cross section area of 1.0...1.5 mm².

When the sounder base and the universal detector base are separated, resemble them in the following ways:

1. Align the mounting holes on the universal detector base and the sounder base (Fig. 2).
2. Attach the universal detector base to the sound base and fasten it using the fastening device (Fig. 3).

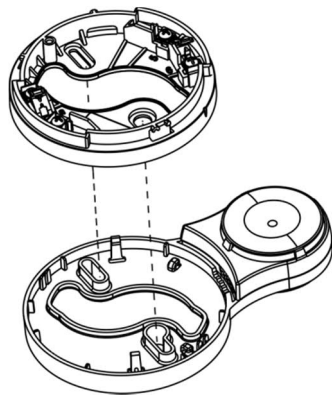


Fig. 2

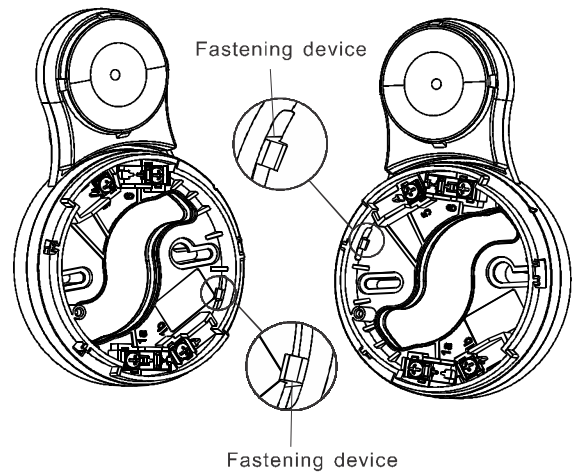


Fig. 3

To select the tones and sound intensity:

1. Open the back cover of the sounder base (Fig. 4)
2. Select the tone and sound intensity according to Fig. 5, X1 for sound intensity and X2 for tones.

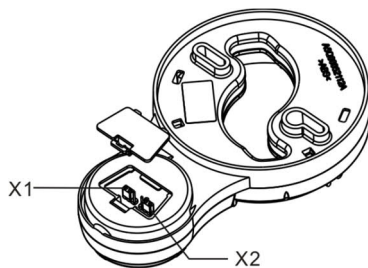
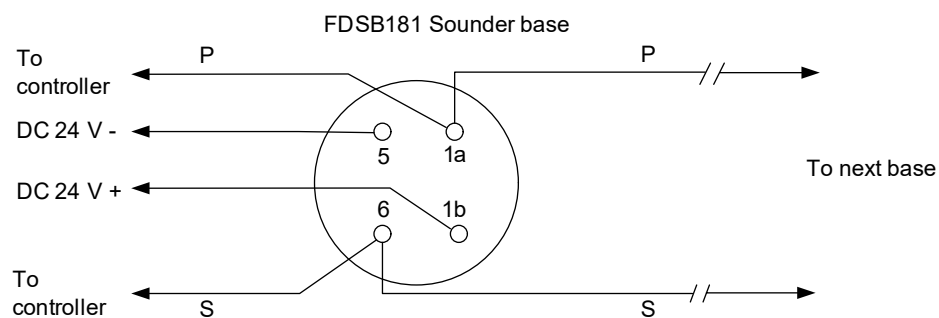


Fig. 4

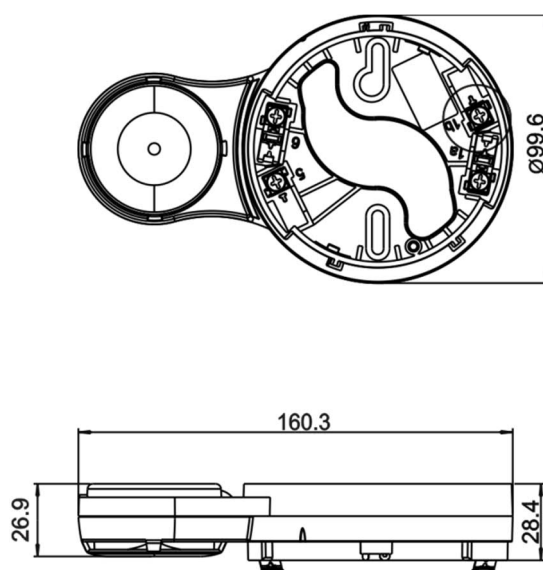
Fig. 5

Wiring diagram



Dimension

Unit: mm



Technical data

Operating voltage	DC 18...28 V
Operating current (quiescent)	180 μ A
Sound activated current	1.2 mA
Tones	2
Sounder intensity level	High/medium
Operating temperature	-10 ... +50 °C
Storage temperature	-30 ... +70 °C
Humidity	\leq 95 % rel.
Connection terminals	0.2 ... 1.5 mm ²
Color	White, RAL 9010

Ordering

Type	Material No.	Part No.	Description	Weight
FDSB181	S54320-F20-A1	103050034	Sounder base	0.096 kg