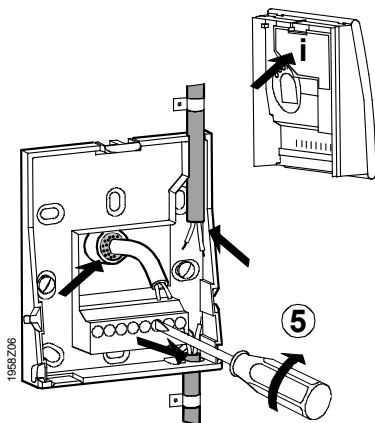
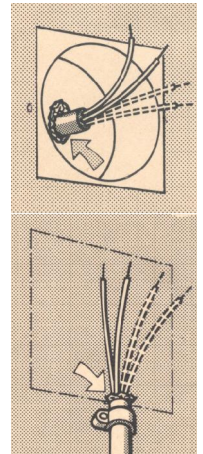
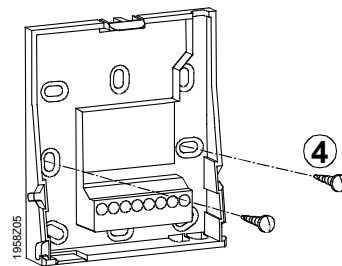
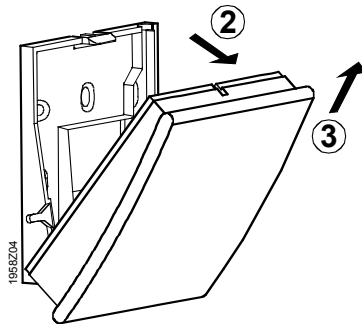
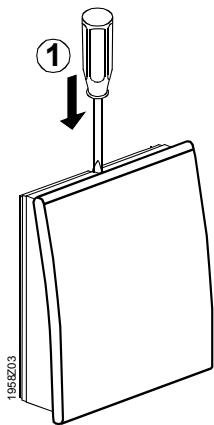


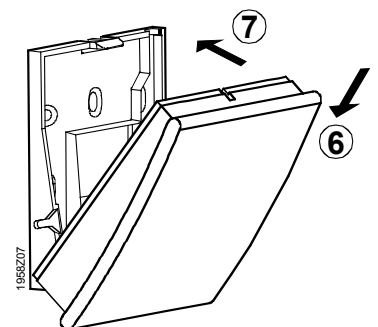
- de** Montageanleitung
- en** Mounting instructions
- fr** Instructions de montage
- sv** Monteringsinstruktion
- nl** Montage-aanwijzing
- it** Istruzioni di montaggio
- fi** Asennusohje
- es** Instrucciones de montaje
- da** Monteringsvejledning

QPA10x4

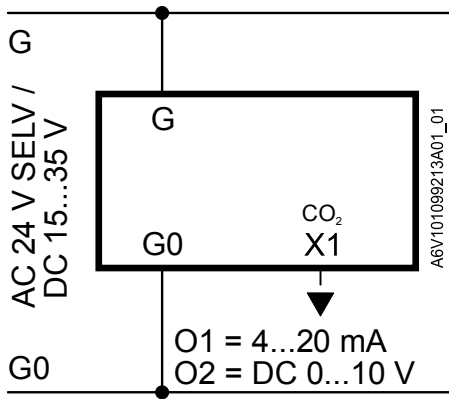


	min.	max.
	0.25 mm ²	1 x 1.5 mm ²
	0.25 mm ²	2 x 1.5 mm ²
	⚠	

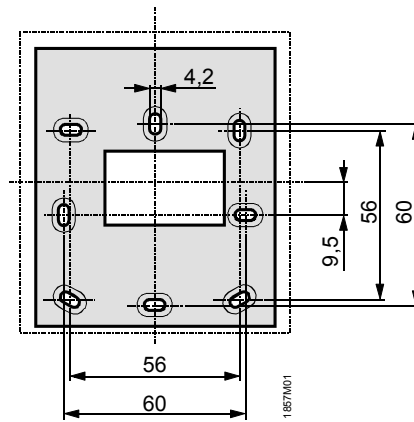
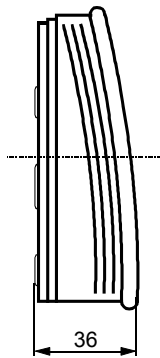
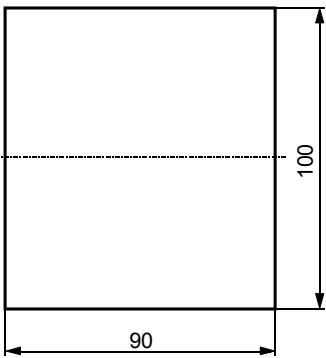
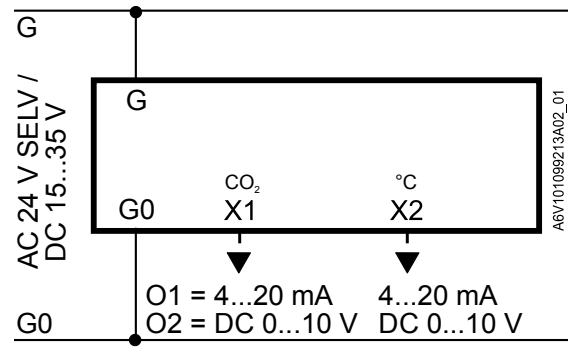
1958T01



QPA1004



QPA1064



Masse in mm
 Dimensions in mm
 Dimensions en mm
 Mått i mm
 Afmetingen in mm
 Dimensioni in mm
 Mitat mm
 Dimensiones en mm
 Mål i mm

Published by:
 Siemens Switzerland Ltd.
 Building Technologies Division
 International Headquarters
 Theilerstrasse 1a
 6300 Zug
 Switzerland
 Tel. +41 58-724 24 24
www.siemens.com/buildingtechnologies

© Siemens Switzerland Ltd 2017
 Delivery and technical specifications subject to change