

Sinteso™ Cerberus™ PRO

Audible alarm device (Ex)

DB3B



For explosion-hazard areas of zones 1 and 2

- For fire detection and extinguishing systems
- Various programmable tones
- For indoor and outdoor applications
- Explosion protection category 'Ex d'
- "Ex d' classed as flameproof

Properties

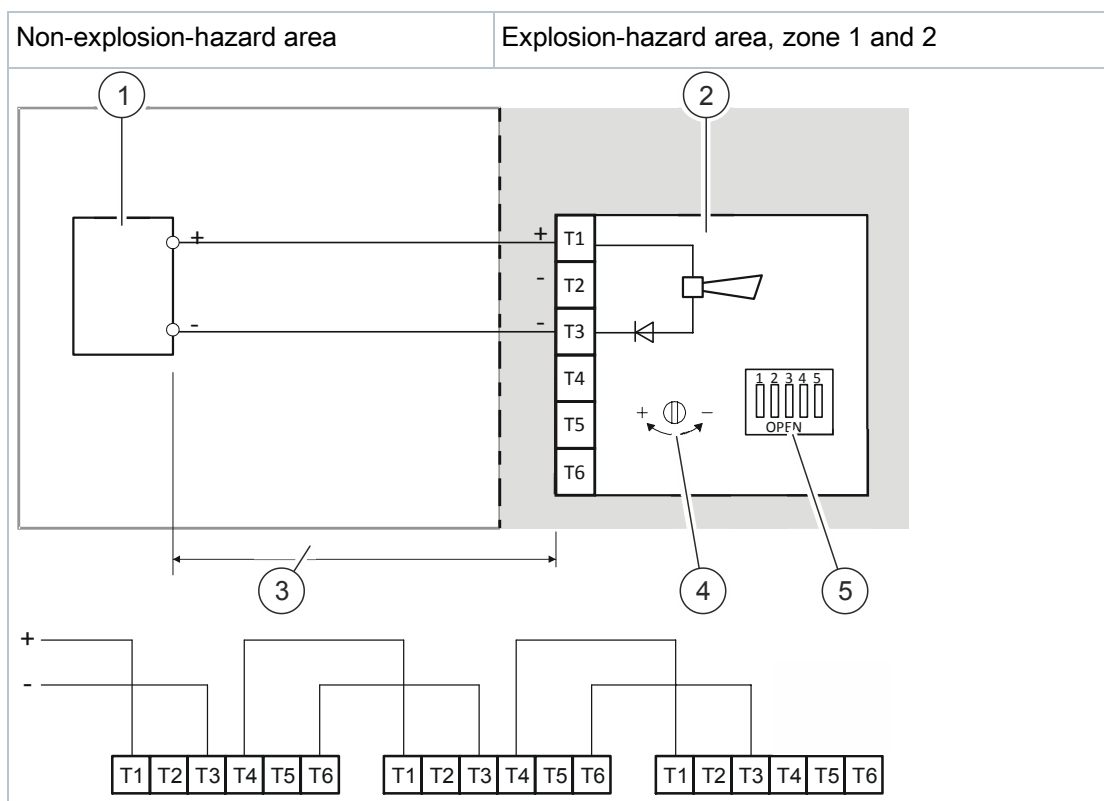
- The design of the device is compliant with explosion protection category 'Ex d'.
- Housing: UV-resistant glass-fiber-reinforced polyester
- Mounting bracket with ratchet and screws: stainless steel
- It is not necessary for the housing to be connected to local ground.
- No safety barriers are required between the explosion-hazard area and the non-explosion-hazard area.

Functions

- The device is for potentially explosive atmospheres such as those found in the crude oil, gas, and petrochemical industries.



Observe national guidelines and regulations.



- 1 Sounder interface
 3 Line monitored
 5 Code

- 2 Alarm device DB3B
 4 Sound level

Type Overview

Type	Designation	Order number	Weight [kg]
DB3B	Audible alarm device (including Eaton ADE1 type cable gland)	DB3BDGD048N2BPSRZ Z=ADE1 GLAND	4.6

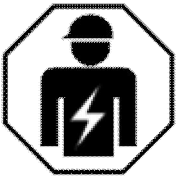
Product documentation

Related documents such as environmental declarations, CE declarations, etc., can be downloaded at the following Internet address:

<http://siemens.com/bt/download>

Notes

Mounting



- Installations in explosion-hazard areas must be carried out by qualified technical personnel. Observe acceptance and documentation specifications.
 - Only an expert is permitted to carry out installation work.
- Incorrect installation can take safety devices out of operation which may not be detected by a layperson.

- Only use the cable gland that has been supplied; this is approved for use in explosion-hazard areas. If shielded cables are being used, order the special cable gland type (see details for ordering).
- Installation materials, protective spacing, and necessary markings in explosion-hazard areas must correspond to the national directives.

Programming

No.	Tones	Switch setting 1 2 3 4 5	Description	Typ. Sound level dB (A) 1 m For DC 24 V
1	Alt Stages 800 Hz/970 Hz at ¼ s	1 1 1 1 1		112
2	Sweeping 800 Hz/970 Hz at 7 Hz	1 1 1 1 0	Fast sweep (LF)	111
3	Sweeping 800 Hz/970 Hz at 1 Hz	1 1 1 0 1	Medium sweep (LF)	113
4	Continuous at 2850 Hz	1 1 1 0 0		111
5	Sweeping 2400 Hz – 2850 Hz at 7 Hz	1 1 0 1 1	Fast sweep	112
6	Sweeping 2400 Hz – 2850 Hz at 1 Hz	1 1 0 1 0		113
7	Slow whoop	1 1 0 0 1	Slow whoop	113
8	Sweeping 1200 Hz – 500 Hz at 1 Hz	1 1 0 0 0	Din Stage	117
9	Alternating 2400 Hz / 2850 Hz at 2 Hz	1 0 1 1 1		111
10	Int Stage of 970 Hz at 1 Hz	1 0 1 1 0	Back-up alarm (LF)	112
11	Alt Stages 800 Hz / 970 Hz at 7/8 Hz	1 0 1 0 1		112
12	Int Stage 2850 Hz at 1 Hz	1 0 1 0 0	Back-up alarm (HF)	112
13	970 Hz, ¼ s On/1 s Off	1 0 0 1 1		112
14	Continuous at 970 Hz	1 0 0 1 0		112
15	554 Hz for 100 ms, 440 Hz for 400 ms	1 0 0 0 1	French fire sound	113
16	Int 660 Hz, 150 ms On/150 ms Off	1 0 0 0 0	Swedish fire alarm	108
17	Int 660 Hz, 1.8 s On/1.8 s Off	0 1 1 1 1	Swedish fire alarm	108
18	Int 660 Hz, 6.5 s On/13 s Off	0 1 1 1 0	Swedish fire alarm	109
19	Continuous 660 Hz	0 1 1 0 1	Swedish fire alarm	108
20	Alt 554 Hz / 440 Hz at 1 Hz	0 1 1 0 0	Swedish fire alarm	113
21	Int 660 Hz at 7/8 Hz	0 1 0 1 1	Swedish fire alarm	108
22	Int 2850 Hz, 150 ms On/100 ms Off	0 1 0 1 0	Pelican crossing	111
23	Sweep 800 Hz – 970 Hz at 50 Hz	0 1 0 0 1	Low frequency buzz	109
24	Sweep 2400 Hz – 2850 Hz at 50 Hz	0 1 0 0 0	High frequency buzz	111
25	3 x 970 Hz pulses, 0.5 s On/0.5 s Off	0 0 1 1 1		112
26	3 x 2850 Hz pulses, 0.5 s On/0.5 s Off, 1.5 s Off	0 0 1 1 0		112
27	Int 3100 Hz, 320 ms On/680 ms Off	0 0 1 0 1		105
28	Continuous 1400 Hz	0 0 1 0 0		125
29	Spare / Custom tone	0 0 0 1 1		
30	Spare / Custom tone	0 0 0 1 0		
31	Spare / Custom tone	0 0 0 0 1		
32	Spare / Custom tone	0 0 0 0 0		

Disposal




The device is considered an electronic device for disposal in accordance with the European Guidelines and may not be disposed of as domestic garbage.

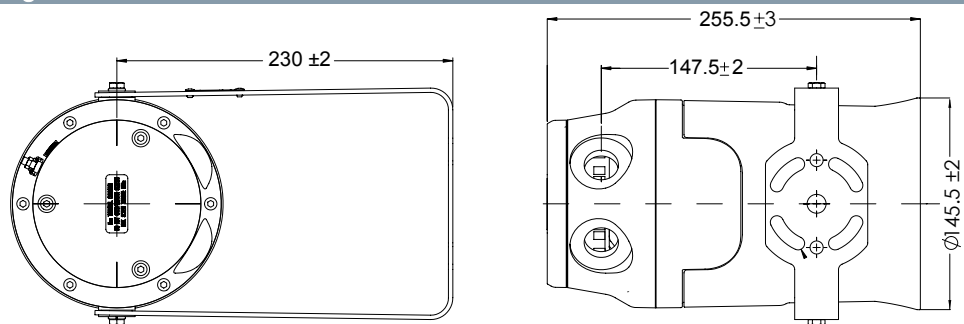
- Dispose of the device through channels provided for this purpose.
- Comply with all local and currently applicable laws and regulations.

Technical data

	DB3B
Operating voltage	DC 12...48 V
Current consumption	See tones
Diameter of connection wires	8 x 2.5 mm ²
Protection against polarity reversal	Yes
Sound level at 24 V and distance of 1 m	113...122 dB(A) depending on the tone
Tones	28
Operating temperature	-55...+70 °C (T4) -55...+55 °C (T5) -55...+40 °C (T6)
Air humidity	≤99 % rel.
Material: Ex housing	Fire-retardant, UV-resistant, glass-fiber-reinforced polyester
Material: Horn	Fire-retardant, durable, UV-resistant, thermoplastic polyester (UV stability tested in accordance with ISO 4892, Part 3)
Material: Mounting bracket and screws	Stainless steel
Protection category (IEC/EN 60529)	IP66 & 67 (IPx7 on housing only)
Ex classification	Ex II 2GD, Ex d IIC T4/T5/T6 Gb Ex tb IIIC T135°C/T100°C/T85°C Db
Standards for explosion-hazard areas	EN 60079-0, EN 60079-1, EN 60079-31
Ex approvals BASEEFA	Baseefa13ATEX0231X

 1180	DB3B	Eaton MEDC Ltd, Unit B, Sutton Parkway Oddicraft Lane, Sutton-In-Ashfield, NG17 5FB Technical data: see doc. A6V11421712
	Audible alarm device for explosion-hazard areas of zones 1 and 2 2014/34/EU (ATEX): EN 60079-0 / EN60079-1 / EN 60079-31; 2014/30/EU (EMC): EN 61000-6-2 / EN 61000-6-4 2011/65/EU (RoHS): EN 50581	
The EU Declaration of Conformity (DoC), which is obtainable via EATON MEDC Ltd.		
DoC No.: DB3B EU, EMC RoHS Declaration		

Dimensional drawings



Issued by
Siemens Switzerland Ltd
Building Technologies Division
International Headquarters
Theilerstrasse 1a
CH-6300 Zug
Tel. +41 58 724 2424
www.siemens.com/buildingtechnologies

© Siemens Switzerland Ltd, 2018
Technical specifications and availability subject to change without notice.