

# SIEMENS



**QSA2700D / QSA2700 / AQS2700**

**Fine dust room sensor**

**Basic Documentation**

# Table of Contents

1	About this document.....	3
2	Product overview .....	5
3	Installation.....	8
4	Configurations .....	12
5	Technical data .....	17
6	Maintenance.....	19
7	Air Quality Index classes.....	22
8	Standard compliance.....	23
9	Appendices .....	24

# 1 About this document

## 1.1 Revision history

Edition	Date	Changes	Section
b	2018-01	Frequency	Technical data
a	2017-12	First version.	All

## 1.2 Reference documents

Ref.	Document title	Document number
1	Mounting instructions	A6V11160930
2	Datasheet	A6V11160938

You can download the above documents at <http://siemens.com/bt/download>;  
Simply search by document numbers.

## 1.3 Before you start

### Copyright

This document may be duplicated and distributed only with the expressed permission of Siemens Switzerland Ltd.

### Quality assurance

These documents were prepared with great care.

- The content of all documents is checked at regular intervals.
- All necessary corrections are included in subsequent versions.
- Documents are automatically amended as a consequence of modifications and corrections to the products described.

Please make sure that you are aware of the latest document revision date.

If you find any lack of clarity while using this document, or if you have any criticisms or suggestions, please contact your local point of contact (POC) at the nearest branch office. Addresses for Siemens RCs are available at [www.siemens.com/sbt](http://www.siemens.com/sbt).


### Conventions for text marking

#### Markups

Special markups are indicated in the document as follows:

•	Numbered lists and instructions with an operation sequence
1. 2.	Procedures must be performed in the specified order.
[→ X]	Reference to a page number

#### Symbol identifications

	<b>▲ WARNING</b>
	This is the symbol for hazard. It warns you of <b>Risks of injury</b> . Comply with all measures designated by this symbol to prevent injury or death.

**NOTICE**

This symbol identifies an important notice that you should be aware of when you are using the product.

**Document use/ request to the reader**

Before using products from Siemens Switzerland Ltd., it is important that you read the documents supplied with or ordered at the same time as the products (equipment, applications, tools, and so on) carefully and in full.

Before you get started, make sure you have an internet connection, a valid Email address and a smartphone in hand.

Additional information on products and applications is available:

- From your Siemens branch office [www.siemens.com/sbt](http://www.siemens.com/sbt) or at your system suppliers.
- From the support team at headquarters [fieldsupport-zug.ch.sbt@siemens.com](mailto:fieldsupport-zug.ch.sbt@siemens.com) if no local POC is available.

Siemens assumes no liability to the extent allowed under the law for any losses resulting from a failure to comply with the aforementioned points or for the improper compliance of the same.

## 2 Product overview

The fine dust room sensor is designed to measure and transmit indoor concentrations of PM2.5 and PM10. This wall-mounted product has variants with or without displays and can connect directly to Siemens BT controllers as well as many third party controllers via voltage output or Modbus.

### 2.1 Type summary

Type	Order number	Description	Display
QSA2700	S55720-S457	Room sensor for detection of PM2.5 and PM10	3-color LED service indication
QSA2700D	S55720-S458	Room sensor with LCD display for detection of PM2.5 and PM10	2.4-inch color LCD screen for PM2.5 values, Air Quality Index, and service
AQS2700	S55720-S459	Sensor module for replacement	

### 2.2 Contents of QSA2700D and QSA2700

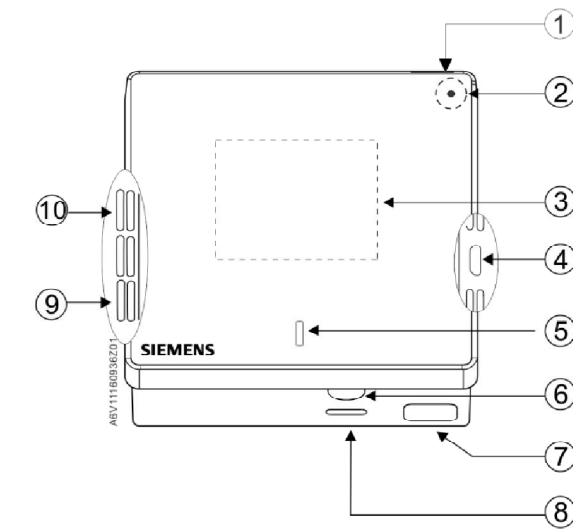
Items	Quantity
Fine dust sensor	1
Plastic mounting plate	1
Screws	2 pcs
Mounting instructions	1


### 2.3 Features

The fine dust room sensor is designed to measure and transmit indoor concentrations of PM2.5 and PM10.

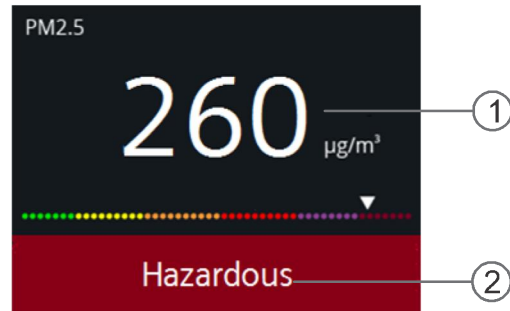
- 0...10 V and Modbus output
- Configurable Modbus parameters
- Plug&play configuration for Siemens Climatix™ controller
- QSA2700:
  - 3-color LED service indication
- QSA2700D:
  - 2.4-inch color LCD screen for PM2.5 values and AQI indication
  - Energy efficient mode: The screen is off if no one is in front of the sensor (within 1 m for several minutes)
  - Micro USB DC 5V for display
  - 4 selectable languages: English, Chinese (default), German, French
  - 3 selectable Air Quality Index classes

## 2.4 Device overview



1	Hole for wiring (top) for surface mounting
2 [QSA2700 only]	LED
3 [QSA2700D only]	LCD display
4	 (power supply for display only)
5 [QSA2700D only]	Proximity sensor
6	Push button
7	Hole for wiring (bottom) for surface mounting
8	Hole for attaching the mounting plate to the housing
9	Air outlet
10	Air inlet

## 2.5 Normal display overview of QSA2700D

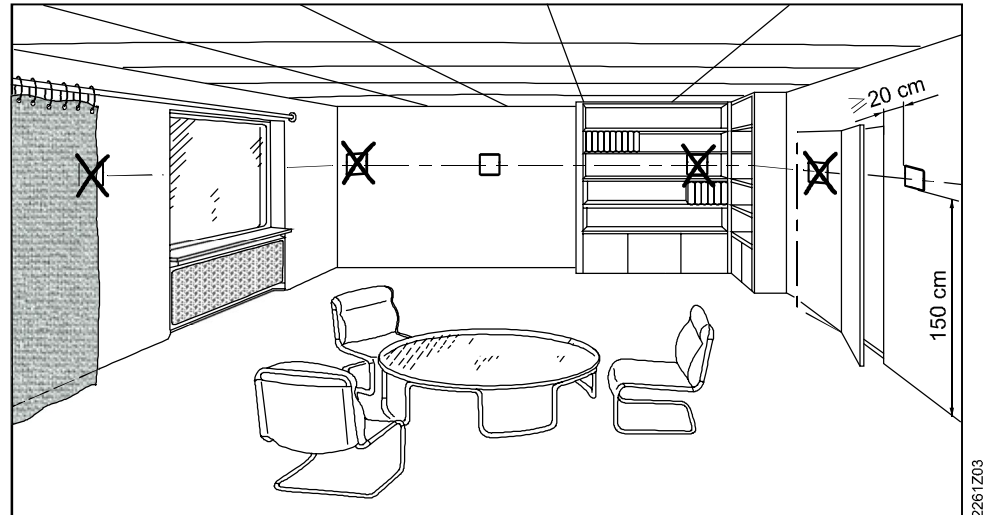


1	Current Air Quality Index (refer to Air Quality Index classes [→ 22] for more information)
2	The current Air Quality Index category

## 3 Installation

### 3.1 Mounting requirements

#### Mounting position



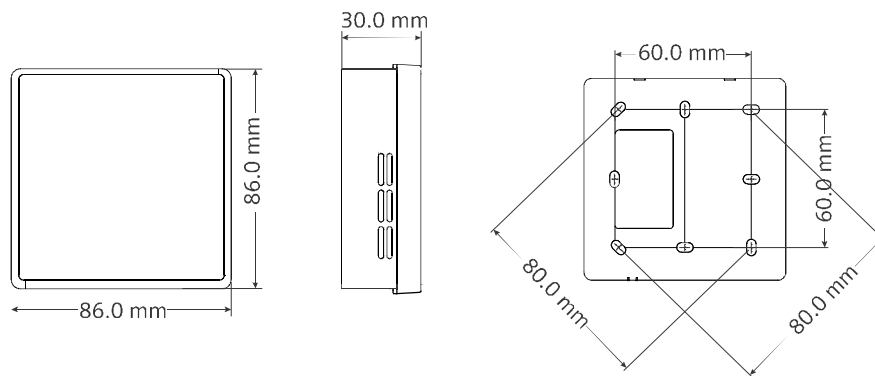
- The sensor is suitable for conduit box mounting, dry wall mounting (with mounting hole for wires concealed) and surface mounting.
- The recommended height is 1.2-1.5 m above the floor, especially for type with display.
- Do not mount the sensor in recesses, shelves, behind curtains or doors, or above heat sources.
- Avoid direct solar radiation.
- Seal the conduit box or the installation tube if any, as air currents can affect sensor readings.
- Make sure ambient conditions are within 0...50 °C and 5...95% r.h. (no condensation).
- Do not mount device in places full of oil smog, e.g. in a kitchen.
- Peel off the protective film on air inlet and air outlet before using.
- The air inlet and outlet must be free of any blockage, particularly the floc type of dirt.

<b>!</b>	<p><b>NOTICE</b></p> <p>High concentrations of cigarette/oil smog in, for example, smoking rooms, may affect the optical components inside the sensors. We highly recommend replacing the sensor module at the latest annually in such environments.</p>
----------	--

<b>!</b>	<p><b>NOTICE</b></p> <p>Ultrasonic humidifiers can create fine dust from unpurified water that can distort sensor readings. Do not use in spaces with PM2.5 controlled ventilation.</p>
----------	---



### Mounting dimensions



A6V11160930A00

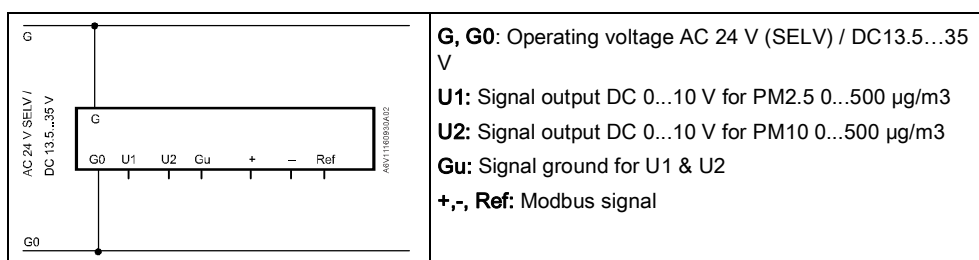
### Mounting tools

- Wire stripper
- Screw driver
- Pencil, level & drill (for dry wall mounting and surface mounting only)

### Wire specification

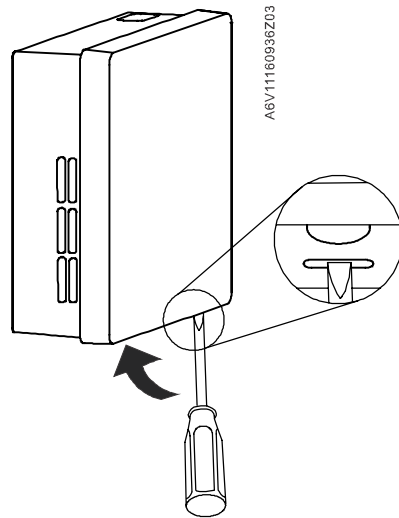
Wires for	Specifications
Power supply	0.4 to 1.5 mm <sup>2</sup>
Analog output	0.4 to 1.5 mm <sup>2</sup>
Modbus output	Twisted pair 0.4 to 1.5 mm <sup>2</sup> Length <600m

## 3.2 Wiring

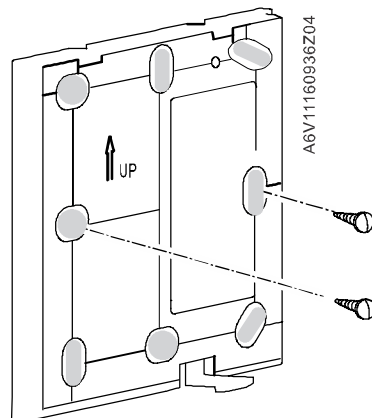


### 3.3 Installation

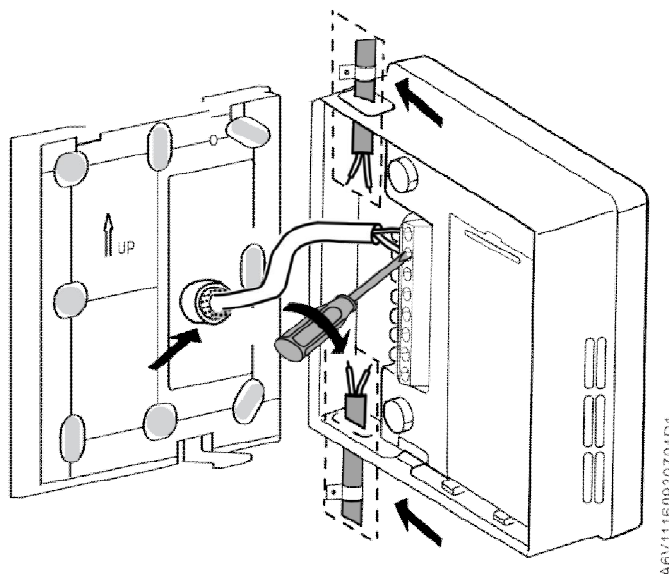
1. Separate the housing from the mounting plate using a screw driver.



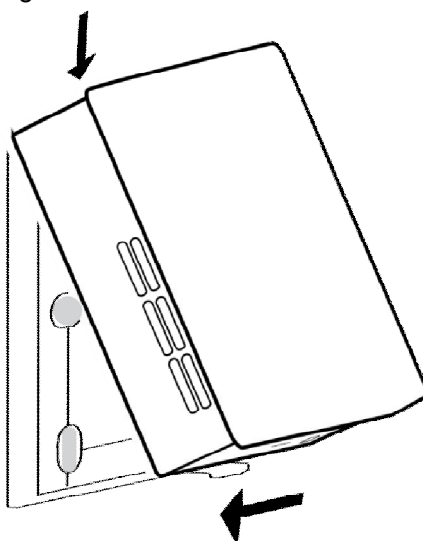
2. Screw and fix the mounting plate on a conduit box (**Conduit box mounting**), or on a wall (**Dry wall mounting** if there is a mounting hole and the wires are concealed in the hole; **Surface mounting** if there is no mounting hole).



3. Connect and screw wires correctly to the terminal. For surface mounting, you must break out the wiring hole at the top or bottom first.



4. Attach the housing to the mounting plate at the top and then snap on the housing at the bottom.



## 4 Configurations

### 4.1 Modbus configuration parameters

The sensor is a Modbus (RS485) slave device, configurable via a Modbus master.

	Name	Range / Enumeration	Default
Configurable	Address	1...247	1
	Baud rate (bps)	1 = 9600 / 2 = 19200/ 3 = 38400 / 4 = 57600	19200
	Transmission format	0 = 1-8-E-1 / 1 = 1-8-O-1 / 2 = 1-8-N-1 / 3 = 1-8-N-2	0
Basic	Parity	Even / Odd / No	Even
	Stop bits	1 / 2	1
	Connection	<= 32pcs/line	
	Data	8 bits (0-255)	
	Identity	Slave	
	Cable length	<600m	

### 4.2 Modbus registers

Holding Register No.	Name	Description	Default	R/W
257	PM2.5 value	Range: 0...500		R
258	PM10 value	Range: 0...500		R
260	Sensor working status	0: Normal; 1: Replace sensor module; 2: Communication error		R
296	Software version	Major version		R
297	Software version	Minor version		R
298	Software version	Build version		R
764	Modbus address	1...247	1	R / W
765	Baud rate	1= 9600bps / 2 = 19200bps / 3 = 38400bps / 4 = 57600bps	2	R / W
766	Transmission format (start bit – data bits – parity – stop bit)	0 = 1-8-E-1 / 1 = 1-8-O-1 / 2 = 1-8-N-1 / 3 = 1-8-N-2	0	R / W
768	Bus configuration command	0 = Ready / 1 = Load / 2 = Discard	0	R / W

**Remarks:**

- The register number is counted from 1.
- In the event the value for register number 764 (Modbus address), 765 (Baud rate), or 766 (Transmission format) changes, power off the device and turn it on again to activate the changed value.
- Register number 768 (Bus configuration command) is for Climatix™ plug&play configuration.

### 4.3 Push button configuration (QSA2700)




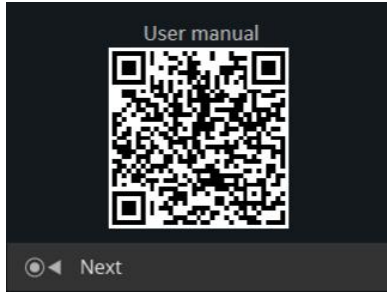
Press the push button to automatically reset and configured via Climatix™ controllers with pre-programmed plug&play configuration.

Press the button for	LED	Action	More details
1...5 s	Constant red	Keep pressing	
5...10 s	LED off	Release the button to configure the device via the Climatix™ controller	LED flashes for 30 s after you release the button, waiting for the configuration via Modbus: <ul style="list-style-type: none"> <li>• If successful, the LED flashes green for 60 s, then turns to constant green</li> <li>• Otherwise, the LED turns back to its original state</li> </ul>
10...13 s	Flash yellow	Release the button to reset the device	Release the button while the LED still flashes yellow. The LED keeps flashing yellow for 3 s, then turns red for 1s, before turning to permanent yellow (the reset is complete).
>13 s	Returns to the initial status	Resetting cancelled	

### 4.4 LED colors and patterns (QSA2700)


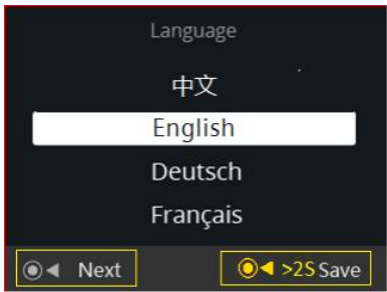
Color	Pattern	Description
Green	Permanently on	Working properly, Modbus configured
Yellow	Permanently on	Working properly, Modbus with factory settings
Red	Permanently on	Error 1, replace sensor module
Red	Flashing (0.5 s on / 0.5 s off)	Error 2, communication error
Red / yellow	Flashing (0.5 s red / 0.5 s yellow)	Possible inaccurate measurement

## 4.5 Initial setup (QSA2700D)


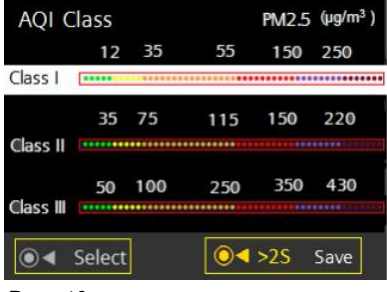
Step	Description	Picture
1.	<p>Power on the device: <i>Page 1</i> is displayed.</p> <p><i>Short press</i> the push button to select the language.</p> <p><i>Long press</i> the push button (&gt;2 s) to save the selection.</p>	 <p>Page 1</p>
2.	<p><i>Short press</i> the push button to enter <i>page 2</i>.</p> <p><i>Short press</i> the push button to select among the different classes.</p> <p><i>Long press</i> the push button (&gt;2 s) to save the selection.</p> <p><b>Tip:</b> refer to Air Quality Index classes [→ 22] for more info about AQI.</p>	 <p>Page 2</p>
3.	<p><i>Short press</i> the push button to enter <i>page 3</i>.</p>	 <p>Page 3</p>
4.	<p><i>Short press</i> the push button to enter <i>page 4</i>.</p> <p>Scan the QR code for the link to download the document.</p>	 <p>Page 4</p>

**Note:** If the device powers off during the initial setup (steps 1-3), restart at step 1.

## 4.6 Change language (QSA2700D)



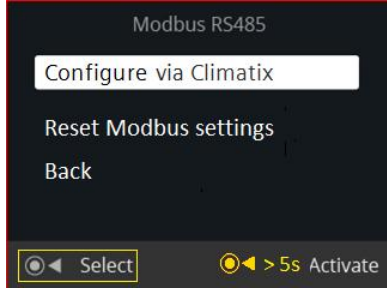
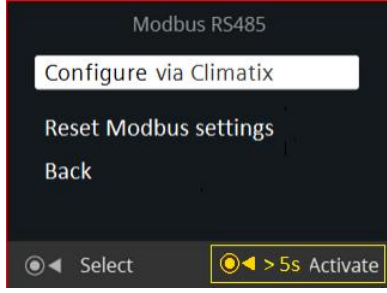
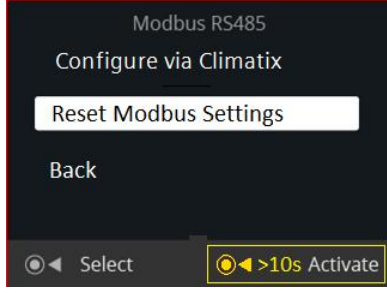
Step	Description	Picture
1	Short press the push button to reach page 7. Then, long press the push button (>2 s) to enter page 8.	 <p>Page 7</p>
2	Short press the push button to select a language. Then, long press the push button (>2 s) to save the selection.	 <p>Page 8</p>

## 4.7 Change Air Quality Index class (QSA2700D)

Step	Description	Picture
1	Short press the push button to reach page 9. Then, long press the push button (>2 s) to enter page 10.	 <p>Page 9</p>
2	Short press the push button to select an Air Quality Index class. Then, long press the push button (>2 s) to save.	 <p>Page 10</p>

## 4.8 Modbus configuration (QSA2700D)

Press the push button to automatically reset and configured via Climatix™ controllers with pre-programmed plug&play configuration.

Step	Description	Picture
1	From <i>page 3</i> , <i>long press</i> the push button (2...10 s) to enter <i>page 5</i>	 <p>PM2.5 260 µg/m<sup>3</sup> Hazardous</p> <p><i>Page 3</i></p>
3	<p><i>Long press</i> the push button (&gt;2 s) to enter <i>page 6</i>.</p> <p>Note: A <i>short press</i> returns to <i>page 3</i>.</p>	 <p>Modbus RS485</p> <p>Baudrate 19200 bps</p> <p>Parity Even</p> <p>Stop bits 1</p> <p>Address 1</p> <p>◀ Next ▶ &gt;2S Modify</p> <p><i>Page 5</i></p>
4	<p><i>Short press</i> the push button to select "Configure via Climatix" or "Reset Modbus settings" on <i>page 6</i>.</p> <p>Note: Ensure that the device is properly connected to a Climatix™ controller that is pre-programmed with the plug&amp;play feature.</p>	 <p>Modbus RS485</p> <p>Configure via Climatix</p> <p>Reset Modbus settings</p> <p>Back</p> <p>◀ Select ▶ &gt;5s Activate</p> <p><i>Page 6</i></p>
4.1	When "Configure via Climatix" is selected; <i>long press</i> the push button (5...10 s) to activate the function.	 <p>Modbus RS485</p> <p>Configure via Climatix</p> <p>Reset Modbus settings</p> <p>Back</p> <p>◀ Select ▶ &gt;5s Activate</p> <p><i>Page 6</i></p>
4.2	When "Reset Modbus Settings" is selected; <i>long press</i> the push button (> 10 s) to activate the function.	 <p>Modbus RS485</p> <p>Configure via Climatix</p> <p>Reset Modbus Settings</p> <p>Back</p> <p>◀ Select ▶ &gt;10s Activate</p> <p><i>Page 6</i></p>



## 5 Technical data

### 5.1 Power supply

Operating voltage	AC 24 V $\pm$ 20% / DC 13.5...35 V
Frequency	50/60 Hz @ AC 24 V

### 5.2 Functional data for PM2.5

Measuring range	0...500 $\mu$ g/m <sup>3</sup>
Unit to unit variability	Max of $\pm$ 15 $\mu$ g/m <sup>3</sup> and $\pm$ 15% of reading @ 25 °C and 50% r.h.
Analog output signal, (terminal U1)	DC 0...10 V, linear, corresponding to 0...500 $\mu$ g/m <sup>3</sup>

### 5.3 Functional data for PM10

Measuring range	0...500 $\mu$ g/m <sup>3</sup>
Unit to unit variability	Max of $\pm$ 15 $\mu$ g/m <sup>3</sup> and $\pm$ 15% of reading @ 25 °C and 50% r.h.
Analog output signal, (terminal U2)	DC 0...10 V, linear, corresponding to 0...500 $\mu$ g/m <sup>3</sup>

### 5.4 Connections

Interface	
Micro USB	Power connection for display only

Wiring connections	
Screw terminals	Solid wires or prepared stranded wires: 0.4...1.5 mm <sup>2</sup>
Slotted screws	Size 1, tightening torque 0.6 Nm (0.44 lb-ft).
Wiring lengths for signals.	600 meters

### 5.5 Housing protection class

Degree of protection of housing	IP30
---------------------------------	------

### 5.6 Operation conditions

Temperature	0...50 °C
Humidity	5...95% r.h. (no condensation)

## 5.7 Storage and transportation conditions

Temperature	-20...70 °C
Humidity	0...95% r. h. (no condensation)

## 5.8 Standards

Electromagnetic compatibility	CE standard EN 60730-1
Immunity	EN 61 000-6-2
Emissions	EN 61 000-6-3
EU conformity declaration	A6V11277342 *)

\*) The document can be downloaded at <http://siemens.com/bt/download>.

## 5.9 General data

Color	White
Weight	140 g

## 5.10 Display (QSA2700D)

Screen	Color, no touch
Working status	Only active when people in front within 1 m ( $\pm 10\%$ ); screen turns off after a few minutes if no presence is detected
Resolution	1 $\mu\text{g}/\text{m}^3$ increments
Display	Display PM2.5 value ( if value > 500 $\mu\text{g}/\text{m}^3$ , then display 500+ $\mu\text{g}/\text{m}^3$ ) Air Quality Index corresponding to measured PM2.5 value
Language (selectable)	English, Chinese (simplified), German, French

## 6 Maintenance

### 6.1 Replacing AQS2700

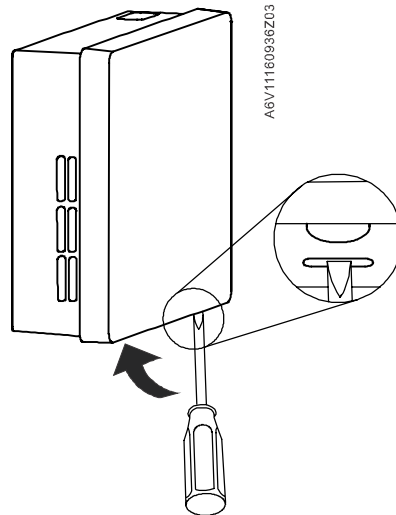
Replace the sensor module due to:

- Reaching its end of lifetime: as indicated via LED or LCD, and output signal. Refer to Troubleshooting [→ 21] for the indication.
- The measurement is not as accurate as specified. The sensor still works but is indicated via LED or LCD. Refer to Troubleshooting [→ 21] for the indication.

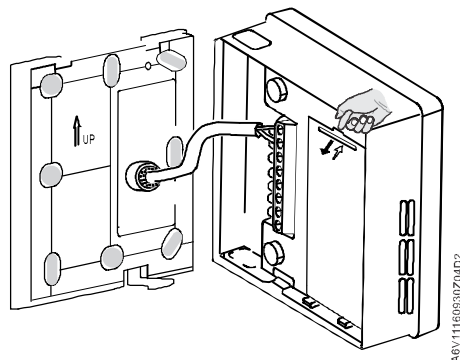
Sensor module accuracy is influenced by ambient environment. We recommend to replacing the module every 1 to 3 years depending on the local environment. In environments with continuously high PM2.5 concentrations (i.e. greater than 300 µg/m<sup>3</sup>, e.g. a smoking room), replace the module more often.

To replace the sensor module:

1. Detach the housing from the mounting plate using a screw driver.



2. Take off the module by hand and replace it with a new one.



**NOTICE**

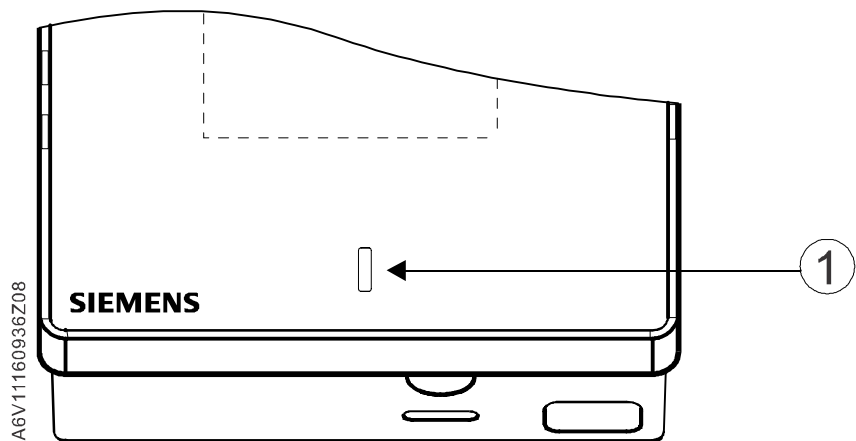
**Turn off the device before replacing the sensor module.**

If not possible, insert a new sensor module 10 s after the old one is removed.

## 6.2 Proximity sensor (QSA2700D)

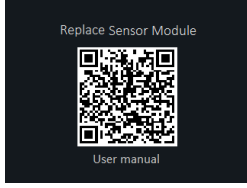
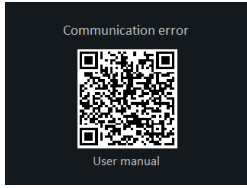
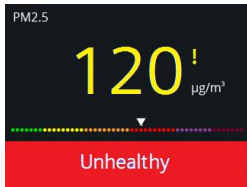
QSA2700D includes a built-in proximity sensor and enters into energy efficient mode if no person is detected in front of the sensor (approximately 1 m) over the past few minutes. In energy efficient mode, the screen is off and the sensor is working and transmitting the signals at regular intervals. Otherwise, the screen is activated and the sensor is in continuous working mode.

Keep the proximity sensor area clean as dirt may affect the detection performance.




1	Proximity sensor
---	------------------

## 6.3 Troubleshooting

	Error	Description	0-10 V output	Modbus
QSA2700D		Replace sensor module when: 1. it is broken; 2. it reaches its lifetime.	Present 0 V (2 s) and 10 V (2 s) one by one in turn	Value of register 260 changes from 0 to 1
QSA2700D		Check for: 1. the communication error between sensor module and product MCU; 2. missing sensor module.	Present 0 V (5 s) and 10 V (2 s) one by one in turn	Value of register 260 changes from 0 to 2
QSA2700D		Warning of possible inaccurate measurement	Present the measured value	Value of register 260 remains 0 without change
QSA2700	Red permanently on	Error 1, replace sensor module	Present 0 V (2 s) and 10 V (2 s) one by one in turn	Value of register 260 changes from 0 to 1
QSA2700	Red flashing (0.5 s on / 0.5 s off)	Error 2, communication error	Present 0 V (5 s) and 10 V (2 s) one by one in turn	Value of register 260 changes from 0 to 2
QSA2700	Red / yellow flashing (0.5 s red / 0.5 s yellow)	Warning of possible inaccurate measurement	Present the measured value	Value of register 260 remains 0 without change

## 6.4 Disposal

	<p>The device is considered electrical and electronic equipment for disposal in terms of the applicable European Directive and may not be disposed of as domestic garbage.</p> <ul style="list-style-type: none"> <li>• Dispose of the device through channels provided for this purpose.</li> <li>• Comply with all local and currently applicable laws and regulations.</li> </ul>
---	--

## 7 Air Quality Index classes

The Siemens fine dust sensor QSA2700D displays:

- The PM2.5 reading in  $\mu\text{g}/\text{m}^3$
- The AQI (Air Quality Index)

The AQI is a number used by government agencies to communicate to the public how polluted the air currently is or a forecast of air quality.

The AQI category (good, moderate, unhealthy, etc.) is based on the AQI (see Table 1) and is represented by a range of colors (green = good, orange = poor, etc.).

In general, AQI is calculated based on multiple pollutants: PM2.5, PM10, ozone, NO<sub>2</sub>, SO<sub>2</sub>, and CO.

However, the AQI value is always based on the Individual Air Quality Index (IAQI) of the **main pollutant**. For example, PM2.5 is the main pollutant in China during the winter, and the locally reported AQI is the IAQI of PM2.5.

$$\text{Traditional AQI} = \max( \text{IAQI} ( \text{PM}_{2.5} ), \text{IAQI} ( \text{PM}_{10} ), \text{IAQI} ( \text{O}_3 ), \text{IAQI} ( \text{NO}_2 ), \text{IAQI} ( \text{SO}_2 ) )$$

AQI is a non-dimensional value. In contrast, PM2.5 values have the dimensional unit  $\mu\text{g}/\text{m}^3$ . Consequently, there is a numerical table to convert pollutant PM2.5 in  $\mu\text{g}/\text{m}^3$  to AQI. This is outlined in Table 1 where, for example, "AQI 1...50, Good" represents a different range of values of PM2.5 in the U.S. (1...12  $\mu\text{g}/\text{m}^3$ ) and China (1...35  $\mu\text{g}/\text{m}^3$ )

These different conversions of PM2.5 to AQI, country by country, are reflected by different AQI classes. The sensor QSA2700D for PM2.5 recognizes three different classes that can be selected during product commissioning:

- Class I – U.S.
- Class II – China
- Class III – India

For European countries, we recommend selecting class I.

**Table 1: AQI for U.S., China, and India**

	US		China		India		
AQI	PM2.5 ( $\mu\text{g}/\text{m}^3$ )	Category	PM2.5 ( $\mu\text{g}/\text{m}^3$ )	Category	PM2.5 ( $\mu\text{g}/\text{m}^3$ )	Category	AQI
1-50	1-12.0	Good	1-35	Good	0-50	Good	1-50
51-100	12.1-35.4	Moderate	36-75	Moderate	51-100	Satisfactory	51-100
101-150	35.5-55.4	Unhealthy for sensitive group	76-115	Unhealthy for sensitive group	101-250	Moderate polluted	101-200
151-200	55.5-150.4	Unhealthy	116-150	Unhealthy			
201-300	150.5-250.4	Very unhealthy	151-185	Very unhealthy	251-350	Poor	201-300
300+	250.5+	Hazardous	185+	Hazardous	351-430	Very poor	301-400
					430+	Severe	401-500

Further reference:

Europe: [http://www.airqualitynow.eu/about\\_indices\\_definition.php](http://www.airqualitynow.eu/about_indices_definition.php)

Real-time AQI worldwide: <http://aqicn.org/map/world/>

Real-time AQI Europe: <http://aqicn.org/map/europe/>

---

## 8 Standard compliance

1. The product complies with CE standard (EN 61000-6-2, EN 61000-6-3, EN 60730-1).
2. The product complies with the RoHS and RoHS CN standard.

## 9 Appendices

### 9.1 Cyber security disclaimer

Products, solutions and services from Siemens include security functions to ensure the secure operation of building automation and control, fire safety, security management, and physical security systems. The security functions on these products, solutions and services are important components of a comprehensive security concept.

Drafting, implementing and managing a comprehensive and up-to-date security concept, customized to individual needs, is nevertheless necessary, and may result in additional plant- or site-specific preventive measures to ensure secure operation of your site regarding building automation and control, fire safety, security management, and physical security. These measures may include, for example, separating networks, physically protecting system components, user training, multi-level defensive measures, etc.

For additional information on security as part of building technology and our product, solution and service offerings, please contact your Siemens sales representative or project department. We strongly recommend to always comply with our security advisories on the latest security threats, patches and other related measures.

<http://www.siemens.com/cert/en/cert-security-advisories.htm>





Issued by  
Siemens Switzerland Ltd  
Building Technologies Division  
International Headquarters  
Gubelstrasse 22  
CH-6300 Zug  
+41 58 724 2424  
[www.siemens.com/buildingtechnologies](http://www.siemens.com/buildingtechnologies)

© Siemens Switzerland Ltd, 2017  
Technical specifications and availability subject to change without notice.