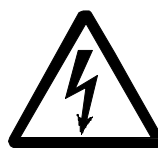


de Montageanleitung
en Mounting instructions
nl Montage handleiding
it Istruzioni di montaggio

Stetige Kältemittelventile
Modulating refrigerant valves
Modulerende koelventielen
Valvola modulante per refrigeranti

MVL661..EX

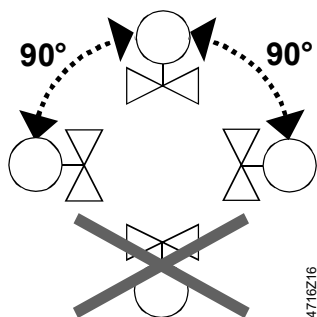


de Siehe Betriebsanleitung unter „Besondere Bedingungen des Explosionsschutzes“, A6V11160426.

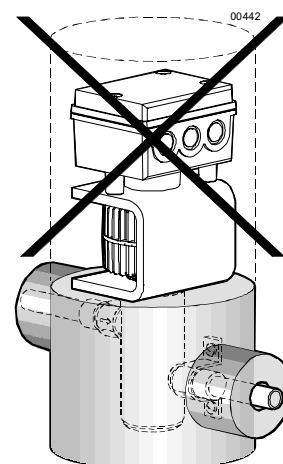
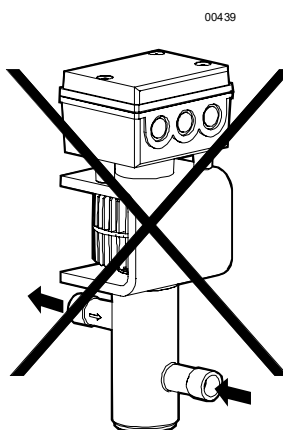
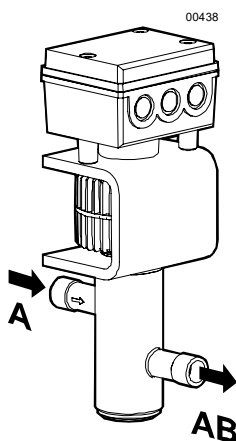
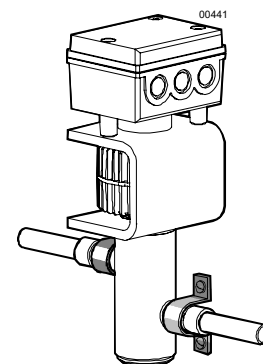
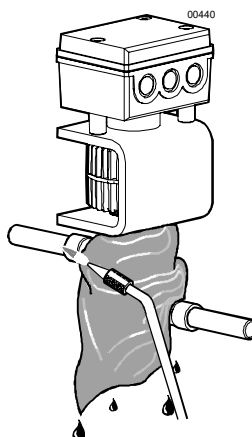
en See Operating Instruction under "Special conditions of safe use for Ex Equipment", A6V11160426.

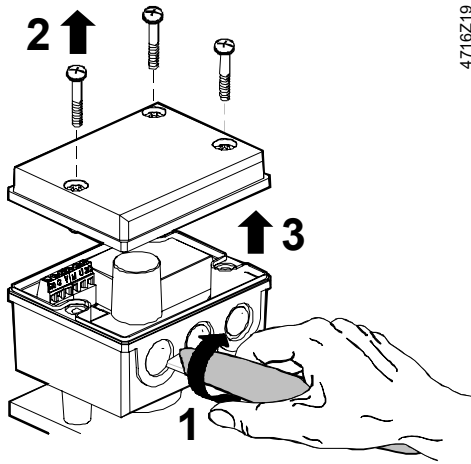
nl Zie bedieningshandleiding onder "Speciale condities voor veilig gebruik bij Ex apparatuur", A6V11160426.

it Vedi istruzioni operative sotto "Condizioni speciali di sicurezza per Dispositivi Ex" A6V11160426.

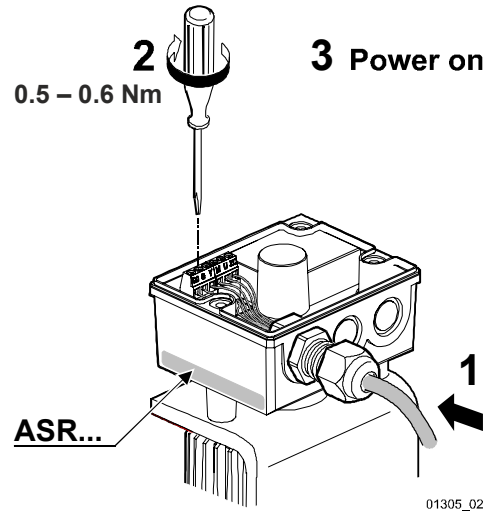


47716Z16

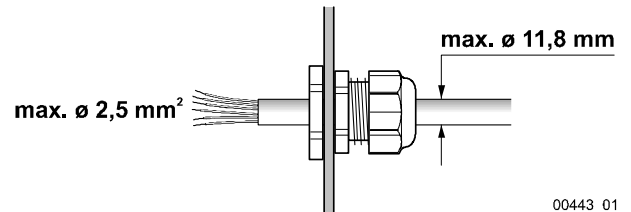


1

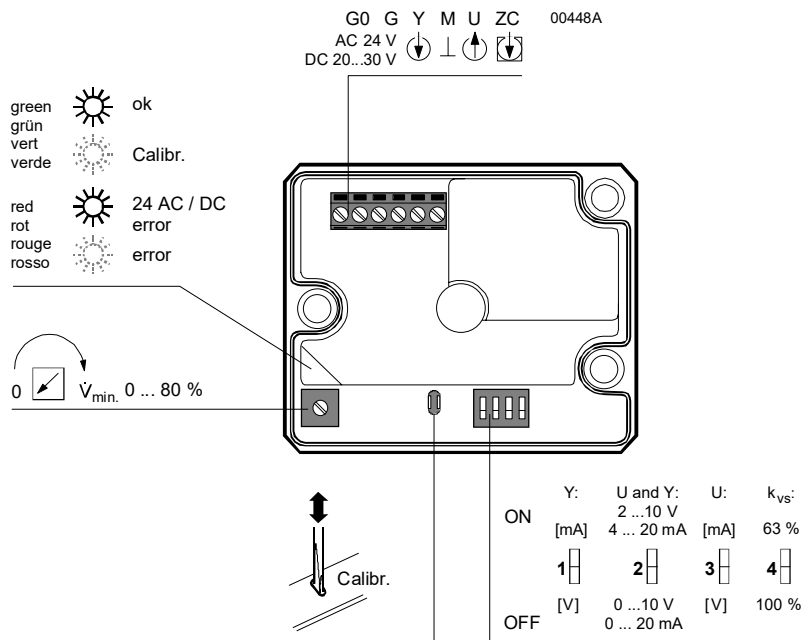
4716Z19

2

01305_02

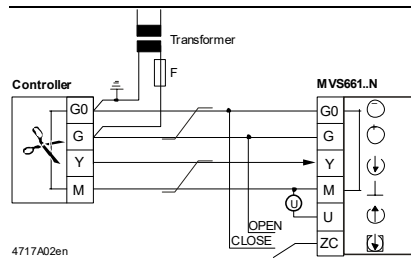


00443_01

3

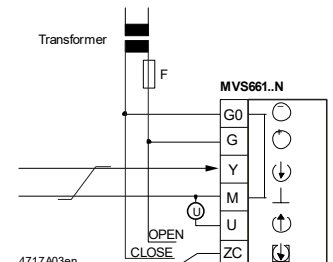
- de** Anschluss an Regler mit 4-Leiter-Ausgang (bevorzugt)
- en** Controller with 4-wire connection (preferred)
- nl** Regelaar met 4-draads aansluiting (voorkeur)
- it** Regolatore con connessione a 4 fili (preferisce)

Common transformer



4717A02en

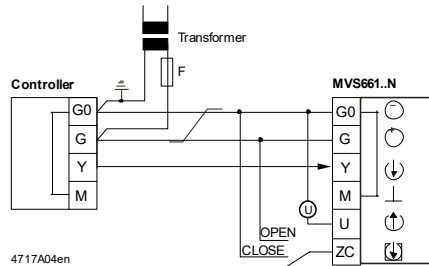
Separate transformer



4717A03en

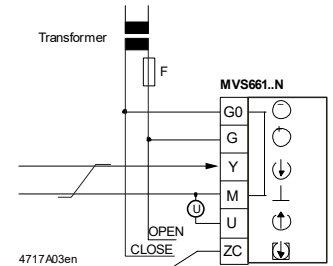
- de** Anschluss an Regler mit 3-Leiter-Ausgang
- en** Controller with 3-wire connection
- nl** Regelaar met 3-draads aansluiting
- it** Regolatore con connessione a 3 fili

Common transformer



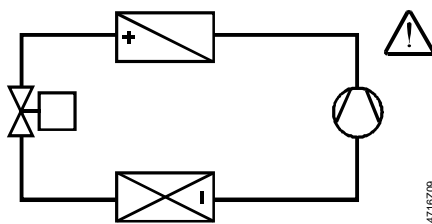
4717A04en

Separate transformer

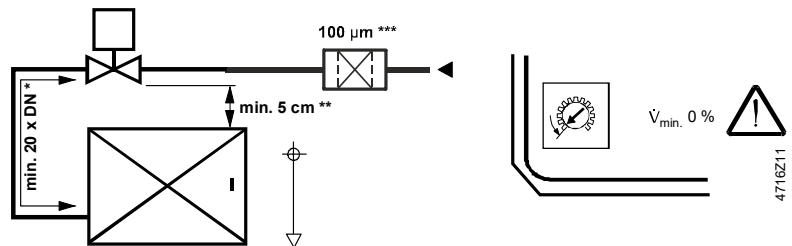


4717A03en

Expansion



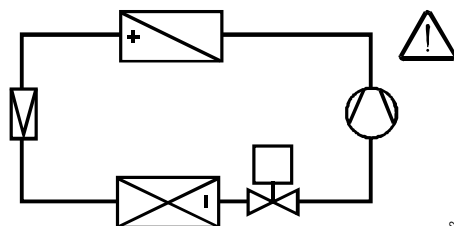
4716Z09



4716Z11

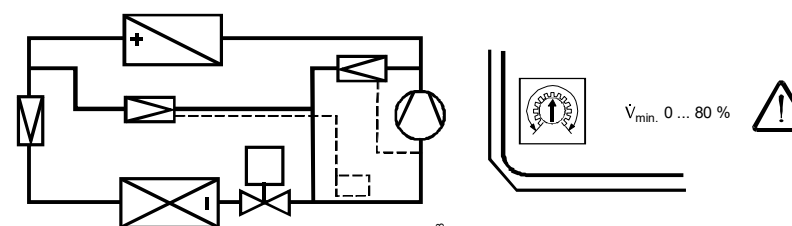
- * **de** Empfehlung zur optimalen Kältemittelverteilung
- en** Recommendation for optimized refrigerant distribution
- ** **de** Empfehlung in Tiefkühlanwendungen
- en** Recommendation for low temp applications
- *** **de** Filterelement mit 100μm oder feiner verwenden
- en** Use a filter element of 100 μm or finer

Suction



Load 50 ...100 %

4716Z12

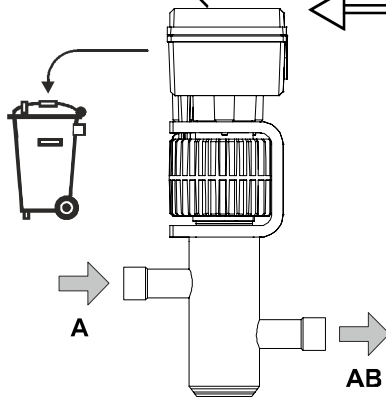
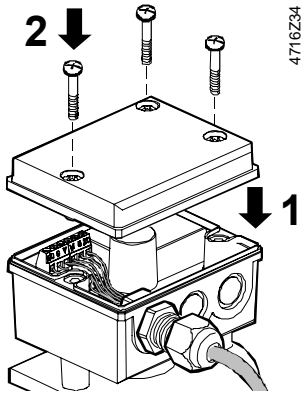


Load 10 ...100 %

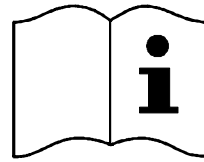
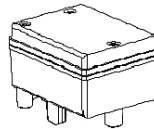
4716Z13

4716Z14

4



ASR61EX

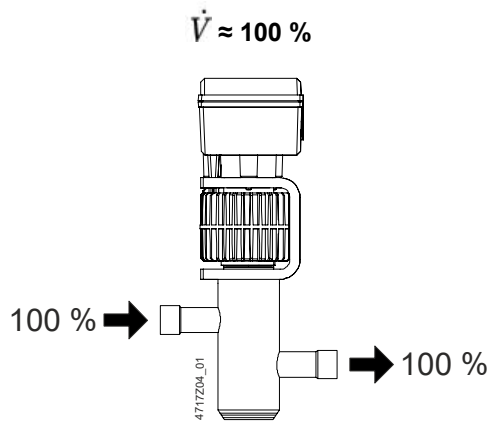


A5W00036611

4717Z10_01



de Während der Druckprobe, dem Spülen und dem Entleeren der Anlage das Ventil 100% öffnen!
en Open the valve to 100% for pressure testing, flushing, and emptying the plant
nl V ≈ 100 % gedurende druk test, doorspoelen en ontluften van de plant
it V ≈ 100 % durante test di pressione, lavaggio e sfiato dell'impianto



Issued by
 Siemens Switzerland Ltd
 Smart Infrastructure
 Global Headquarters
 Theilerstrasse 1a
 6300 Zug
 Switzerland
 Tel. +41 58-724 24 24
www.siemens.com/buildingtechnologies

© Siemens Switzerland Ltd, 2017

Technical specifications and availability subject to change without notice.