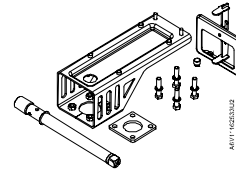
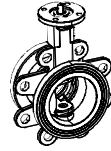
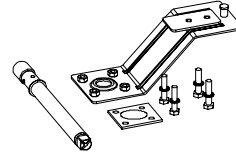


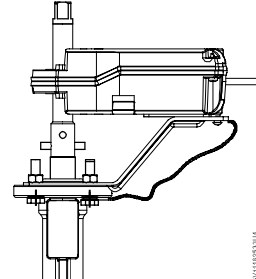
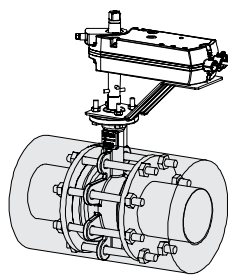
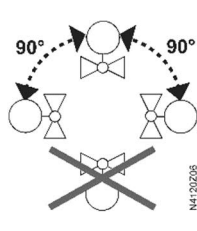
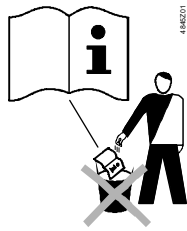
en Mounting Instructions
zh 安装指南
zh 安裝指南
ko 설치지침

Ball Valve
电动球阀
電動球閥
볼밸브



VAF41.65-63/1
VAF41.80-100/1
VAF41.100-160
VAF41.125-250

VAF41.150-360

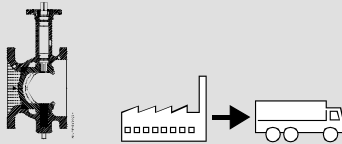


For G..3.1E (AC 230 V)

en Earthing
zh 接地
ko 접지



0 %

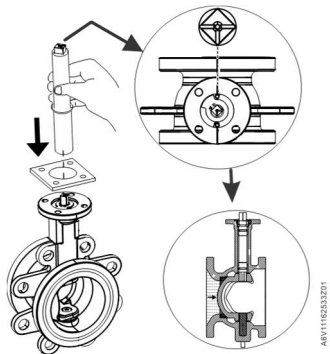


100 %



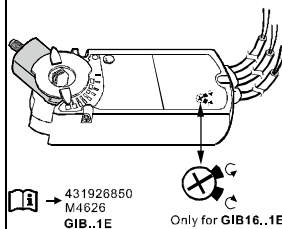
VAF41.65-63/1 + GEB..1E VAF41.80-100/1 + GEB..1E VAF41.100-160 + GIB..1E VAF41.125-250 + GIB..1E
VAF41.65-63/1 + GCA.1E + ASK77.21 VAF41.80-100/1 + GCA.1E + ASK77.21

1a



2a

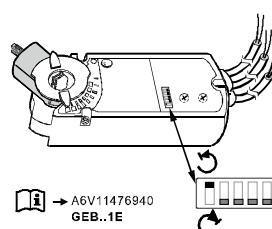
GIB..1E



431926850
M4626
GIB..1E

Only for GIB16..1E

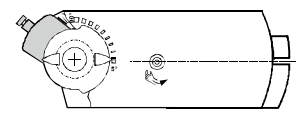
GEB..1E



A6V11476940
GEB..1E

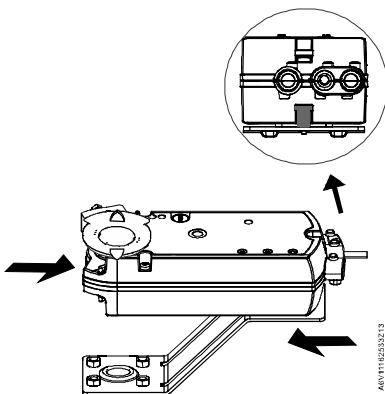
Only for GEB16..1E

GCA..1E

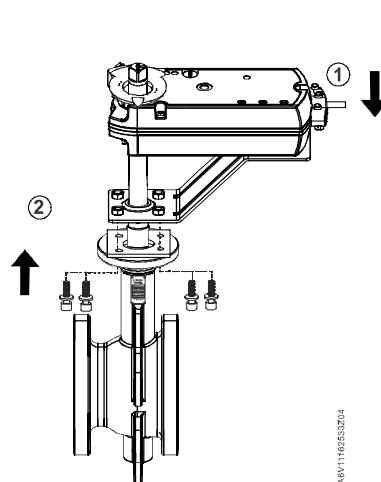


431926150
M4613
GCA..1E

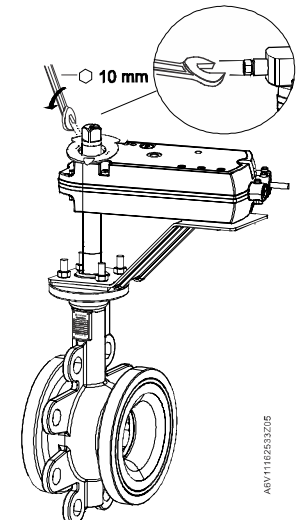
3a

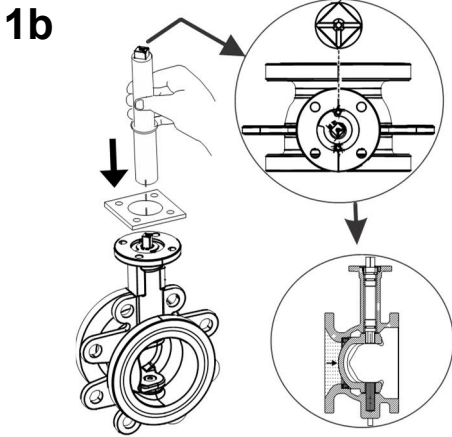


4a

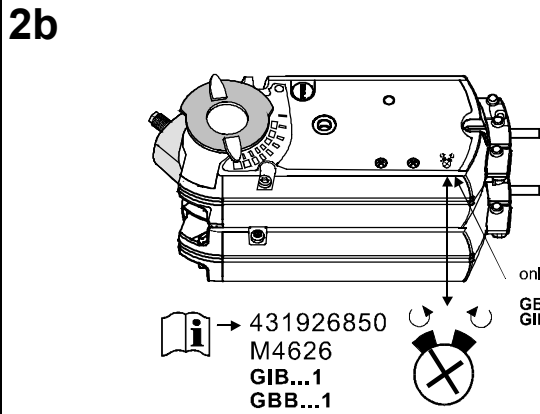


5a





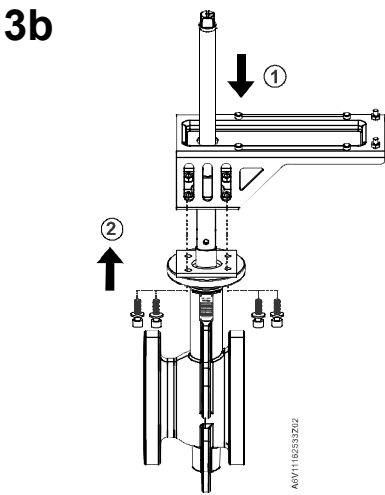
AVV11162533201



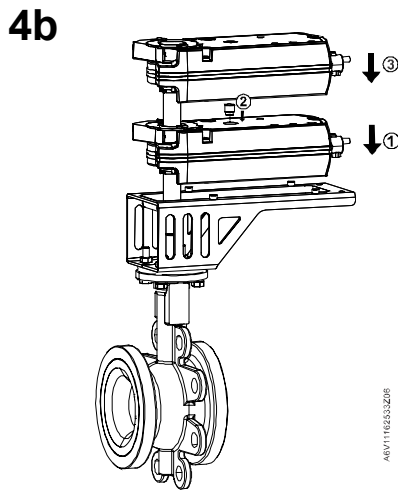
only for:
GBB 16...
GIB16...

→ 431926850
 M4626
GIB...1
GBB...1

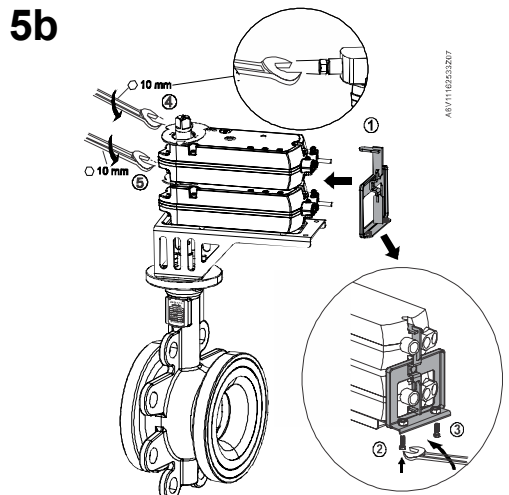
AVV11162533211



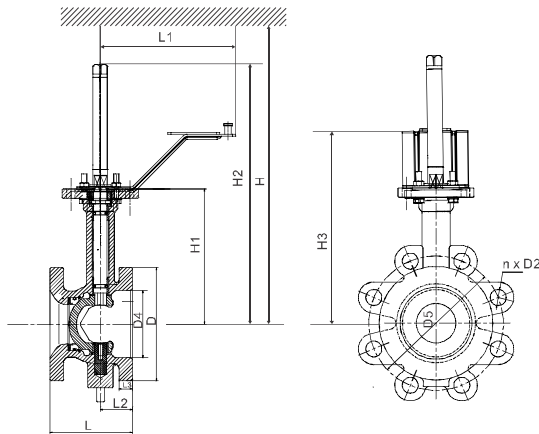
AVV11162533212



AVV11162533208



AVV11162533207



AVV11162533001

- DN = Nominal size
- H = Total actuator height plus minimum distance to the wall or the ceiling for mounting, connection, operation, service, etc.
- H1 = Dimension from the pipe centre to install the actuator (upper edge)
- H2 = Dimension from the pipe centre to the top of the shaft

Type		DN	L	L1	L2	L3	D	n	D2	D4	D5	H	H1	H2	H3	$\frac{m}{kg}$
Valve	Actuator		[mm]	[mm]	[mm]	[mm]	[mm]		[mm]	[mm]	[mm]		[mm]	[mm]	[mm]	[kg]
VAF41.65-63/1	GEB..1E	65	90	150	36	16	118	4	19	65	145	>550	153	331	226	5.8
VAF41.80-100/1		80	98	150	38	16	135	8	19	80	160	>560	161	339	234	7.1
VAF41.65-63/1	GCA..1E	65	90	207	36	16	118	4	19	65	145	>550	153	351	246	5.8
VAF41.80-100/1		80	98	207	38	16	135	8	19	80	160	>560	161	359	254	7.1
VAF41.100-160	GIB..1E	100	115	207	44	18	155	8	19	100	180	> 570	171	369	264	9.1
VAF41.125-250		125	133	207	51	19	185	8	19	125	210	> 590	186	384	279	12.3
VAF41.150-360	2*GEB..1E	150	156	229	60	19	211	8	23	150	240	> 680	205	478	303	16.9