

de Montageanleitung
en Mounting instructions

Austauschelektronik für MVL661..EX und MVS661..EX
Replacement electronic for MVL661..EX and MVS661..EX

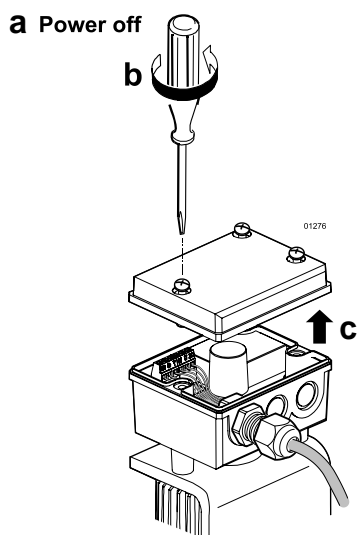
ASR61EX



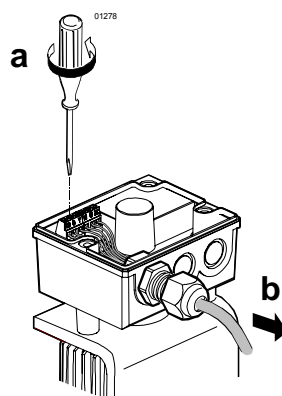
de Siehe Betriebsanleitung unter „Besondere Bedingungen des Explosionsschutzes“.
 A6V11160426 (MVL661..EX)
 A6V11160433 (MVS661..EX)

en See Operating Instruction under "Special conditions of safe use for Ex Equipment".
 A6V11160426 (MVL661..EX)
 A6V11160433 (MVS661..EX)

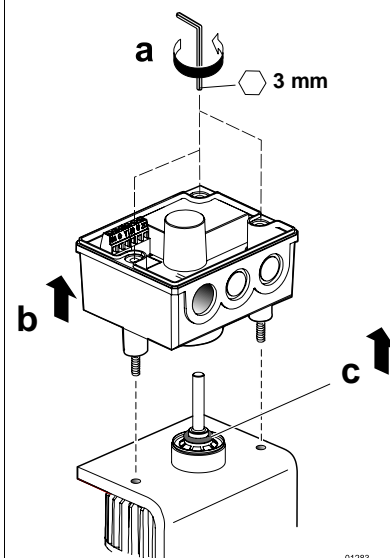
1



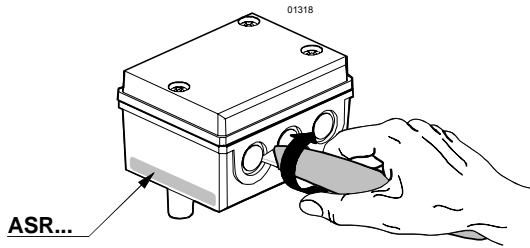
2



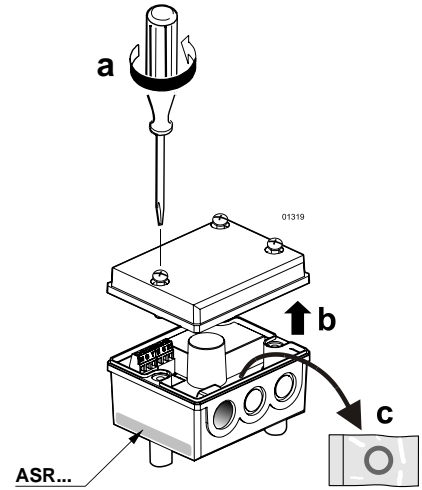
3



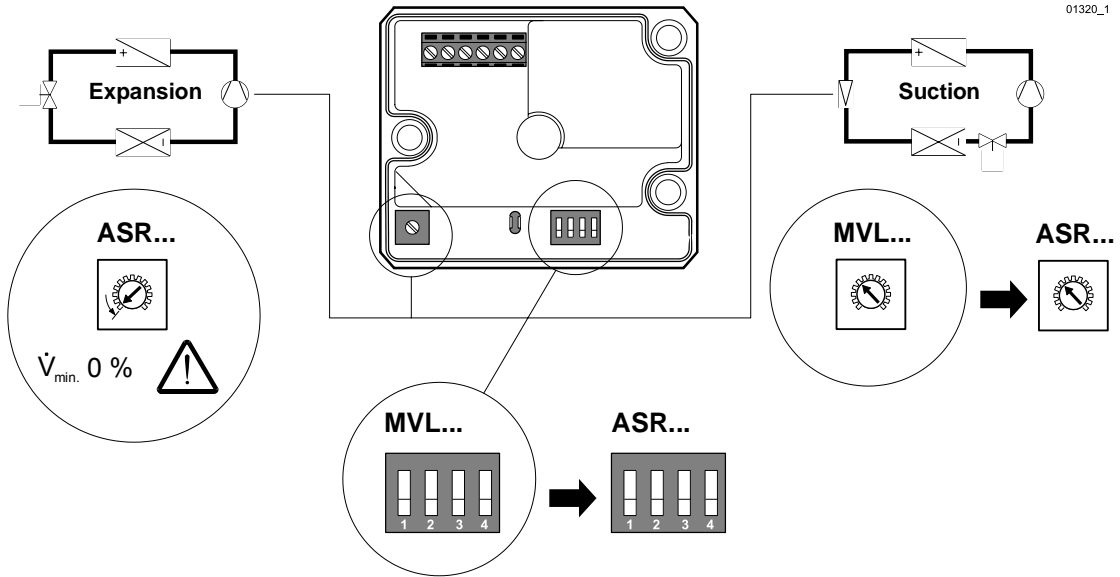
4



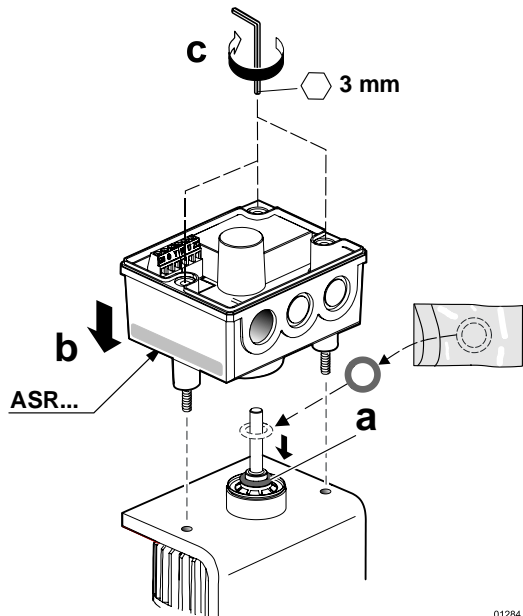
5



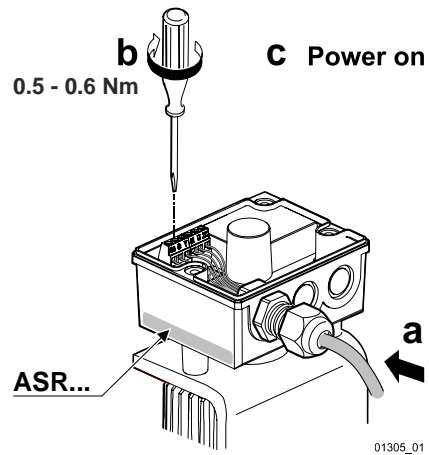
6



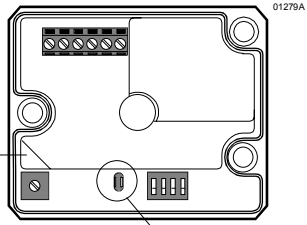
7



8

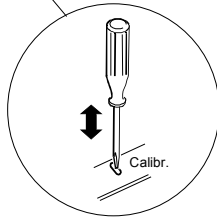


9

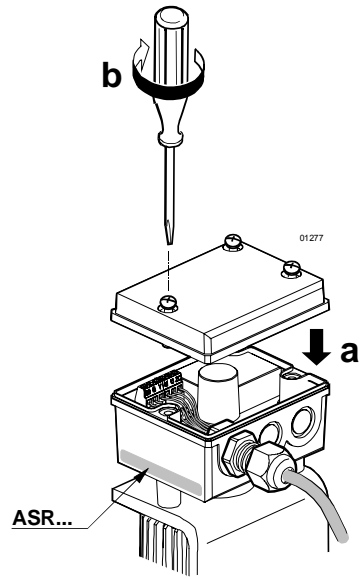


b

green	☀	ok
grün	☀	
vert	☀	Calibr.
verde	☀	
red	☀	24 AC / DC
rot	☀	error
rouge	☀	
rosso	☀	error



10



Issued by
Siemens Switzerland Ltd
Building Technologies Division
International Headquarters
Gubelstrasse 22
6301 Zug
Switzerland
Tel. +41 41-724 24 24
www.siemens.com/buildingtechnologies

© Siemens Switzerland Ltd, 2017
Technical specifications and availability subject to change without notice.