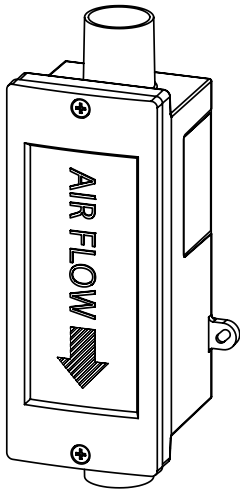


# SIEMENS



**ASD Filter box**

**FDAZ292**

Mounting

Maintenance

## Legal notice

Technical specifications and availability subject to change without notice.

Transmittal, reproduction, dissemination and/or editing of this document as well as utilization of its contents and communication thereof to others without express authorization are prohibited. Offenders will be held liable for payment of damages. All rights created by patent grant or registration of a utility model or design patent are reserved.

Issued by:  
Siemens Switzerland Ltd.  
Building Technologies Division  
International Headquarters  
Gubelstrasse 22  
CH-6301 Zug  
Tel. +41 41 724-2424  
[www.siemens.com/buildingtechnologies](http://www.siemens.com/buildingtechnologies)

Edition: 2016-09-29  
Document ID: A6V10877841\_en--\_a

# Table of contents

<b>1</b>	<b>About this document</b> .....	<b>4</b>
1.1	Applicable documents.....	6
1.2	Revision history .....	6
<b>2</b>	<b>Details for ordering</b> .....	<b>7</b>
<b>3</b>	<b>Mounting</b> .....	<b>8</b>
3.1	Installation site.....	8
3.2	ASD filter box .....	9
<b>4</b>	<b>Maintenance</b> .....	<b>10</b>
<b>5</b>	<b>Specifications</b> .....	<b>12</b>
5.1	Technical data.....	12
5.2	Dimensions .....	13
5.3	Drill pattern.....	13
5.4	Environmental compatibility and disposal .....	14
<b>Index</b>	.....	<b>15</b>

# 1 About this document

## Goal and purpose

This document contains all information about the ASD filter box FDAZ292.

Following the instructions consistently will ensure that the product can be used safely and without any problems.

## Description

The ASD filter box FDAZ292 is used in environments with high dust concentration. Installed in the pipe system upstream of the aspirating smoke detectors FDA241 and FDA221, it protects the aspirating smoke detectors against contamination. The ASD filter box filters dust and dirt particles out of the pipe system before they get into the aspirating smoke detectors, thereby increasing the service life of the aspirating smoke detectors.

The ASD filter box comprises a plastic housing (ABS) and an ASD filter set with three separate filters with pores of different sizes (coarse, medium, fine).

## Intended use

The ASD filter box FDAZ292 is only permitted for use to filter dust and dirt particles out of the pipe system for the aspirating smoke detectors FDA241 and FDA221.

## Target groups

The information in this document is intended for the following target groups:

Target group	Activity	Qualification
Product Manager	<ul style="list-style-type: none"> <li>Is responsible for information passing between the manufacturer and regional company.</li> <li>Coordinates the flow of information between the individual groups of people involved in a project.</li> </ul>	<ul style="list-style-type: none"> <li>Has obtained suitable specialist training for the function and for the products.</li> <li>Has attended the training courses for Product Managers.</li> </ul>
Installation personnel	<ul style="list-style-type: none"> <li>Assembles and installs the product components at the place of installation.</li> <li>Carries out a performance check following installation.</li> </ul>	<ul style="list-style-type: none"> <li>Has received specialist training in the area of building installation technology or electrical installations.</li> </ul>
Maintenance personnel	<ul style="list-style-type: none"> <li>Carries out all maintenance work.</li> <li>Checks that the products are in perfect working order.</li> <li>Searches for and corrects malfunctions.</li> </ul>	<ul style="list-style-type: none"> <li>Has obtained suitable specialist training for the function and for the products.</li> </ul>

## Source language and reference document

- The source/original language of this document is German (de).
- The reference version of this document is the international version in English. The international version is not localized.

## Document identification

The document ID is structured as follows:

A6Vxxxxxxxx\_aaAA\_vv

A6Vxxxxxxxx\_--AA\_vv

A6Vxxxxxxxx\_aa--\_vv

A6Vxxxxxxxx\_----\_vv

ID code <sup>1</sup>	Description
A6Vxxxxxxxx	STEP-ID generated by the STEP system
_	Separator
aa	Language abbreviation in accordance with ISO 639-1
AA	Country abbreviation in accordance with ISO-3166-1
--	Multilingual or international
vv	Document version, single or double digit: a, b, ...z; aa, ab, ...az; ba, bb, ...bz; etc.

<sup>1</sup> Some documents have different ID codes that are generated by an earlier system. There are also documents with up-to-date ID codes along with additional features in the designation.

ID code	Examples
ID_languageCOUNTRY_version -- = multilingual or international	A6V10215123_deDE_a A6V10215123_en--_a A6V10315123_----_a

## Date format

The date format in the document corresponds to the recommendation of international standard ISO 8601 (format YYYY-MM-DD).

## Conventions for text marking

### Markups

Special markups are shown in this document as follows:

▷	Requirement for a behavior instruction
1. 2.	Behavior instruction with at least two operation sequences
–	Version, option, or detailed information for a behavior instruction
⇒	Intermediate result of a behavior instruction
⇨	End result of a behavior instruction
●	Numbered lists and behavior instructions with an operation sequence
[→ X]	Reference to a page number
'Text'	Quotation, reproduced identically
<Key>	Identification of keys
>	Relation sign and for identification between steps in a sequence, e.g., 'Menu bar' > 'Help' > 'Help topics'
↑ Text	Identification of a glossary entry

## Supplementary information and tips



The 'i' symbol identifies supplementary information and tips for an easier way of working.

## 1.1 Applicable documents

Document ID	Title
A6V10345654	Installation, Mounting Aspirating Smoke Detectors FDA241, FDA221
A6V10334410	Technical manual Aspirating smoke detector FDA241, FDA221
A6V10334435	Planning, Installation ASD Pipe system

## 1.2 Revision history

The reference document's version applies to all languages into which the reference document is translated.



The first edition of a language version or a country variant may, for example, be version 'd' instead of 'a' if the reference document is already this version.

The table below shows this document's revision history:

Modification index	Edition date	Brief description
a	2016-09-29	First edition



The language versions and country variants produced by a local company have the same modification index as the corresponding reference document. They are not however included in the table below.

The table below shows the published language versions and country variants with the corresponding modification index:

Modification index	en_--	de_--	fr_--	it_--	es_--	zh_--
a	X	X	X	X	X	X

X = published

-- = no publication with this modification index

## 2 Details for ordering

Type	Order number	Designation
FDAZ292	S54333-C92-A1	ASD filter box
FDAZ292-AA	S54333-S91-A1	ASD filter set

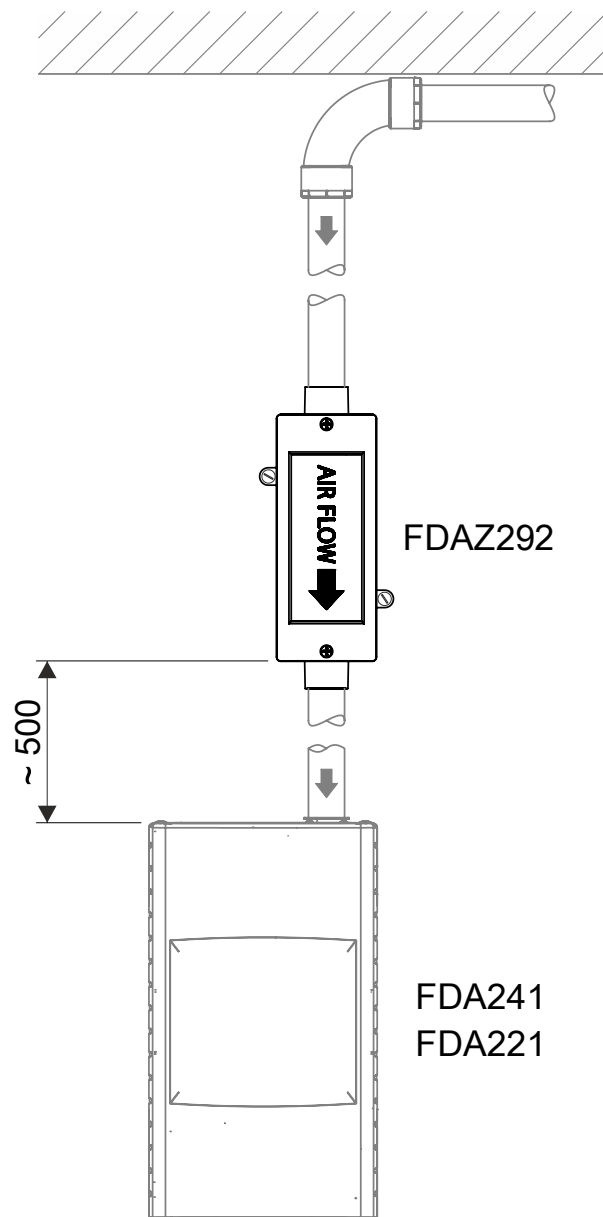
### Scope of delivery

ASD filter box incl. ASD filter set with three filters with pores of different sizes (coarse, medium, fine).

The ASD filter set is available to order as a spare part.

## 3 Mounting

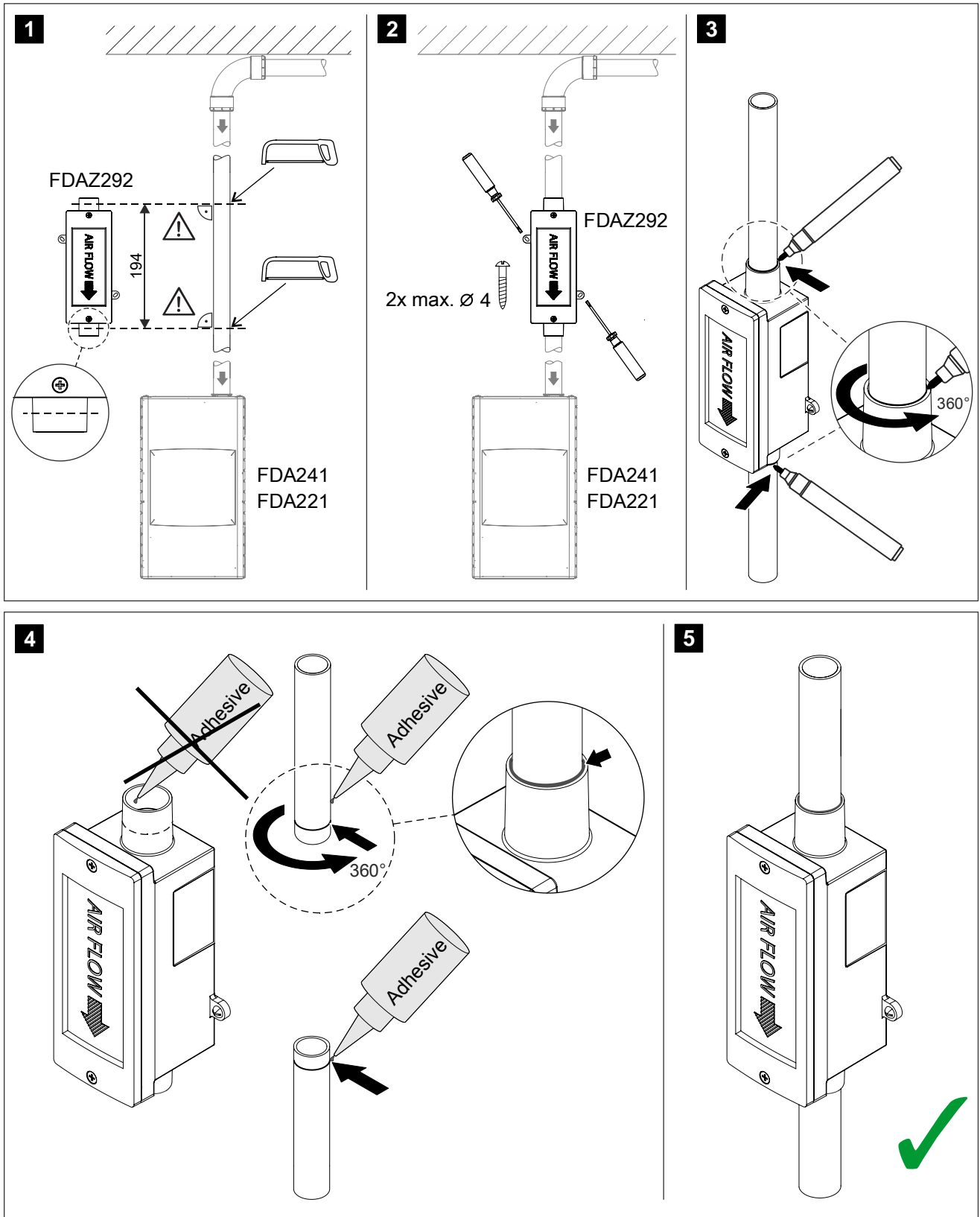
### 3.1 Installation site



The distance of 500 mm between the aspirating smoke detectors and the ASD filter box creates a laminar flow inside the detector. This has a positive effect on smoke detection.  
This distance can be reduced if space is restricted.



### 3.2 ASD filter box



## 4 Maintenance

The intervals for replacing the ASD filter set are determined by the dust concentration in the ambient air.

### Maintenance intervals

- If the air is heavily contaminated, as is the case in cement works or recycling plants, for example: every two to three months
- In the case of average air contamination, as is the case in a production facility or a lift shaft, for example: every six months
- In air that is only slightly or occasionally contaminated: every twelve months

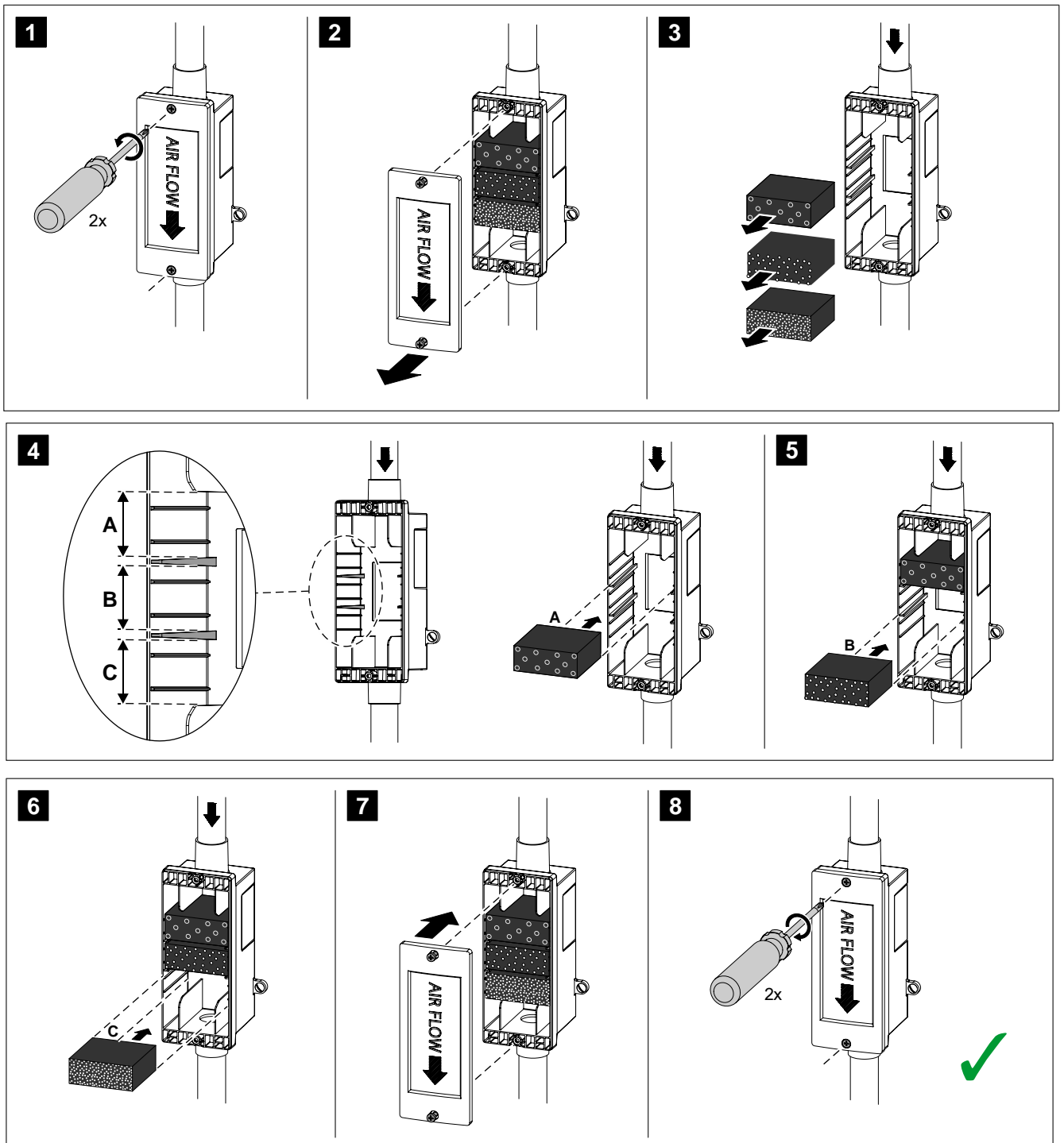


Use the ASD filter set with all three foams. To optimize transport time, the two foams with coarse and medium-sized pores are sufficient.

---

See also the 'Details for ordering [[→ 7](#)]'.

---

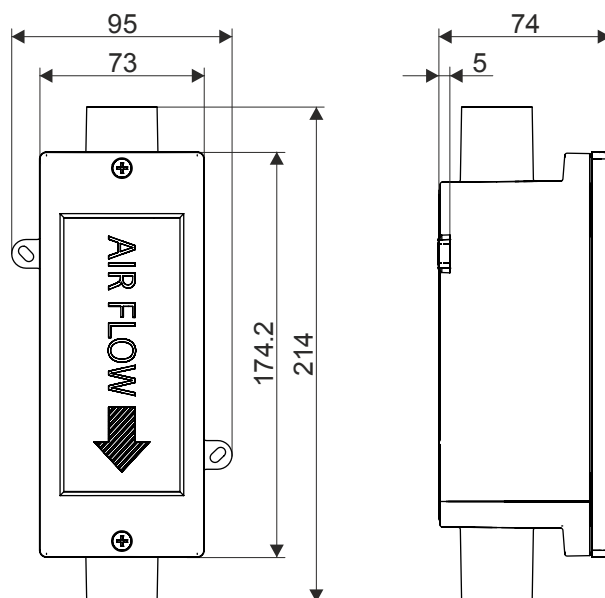


## 5 Specifications

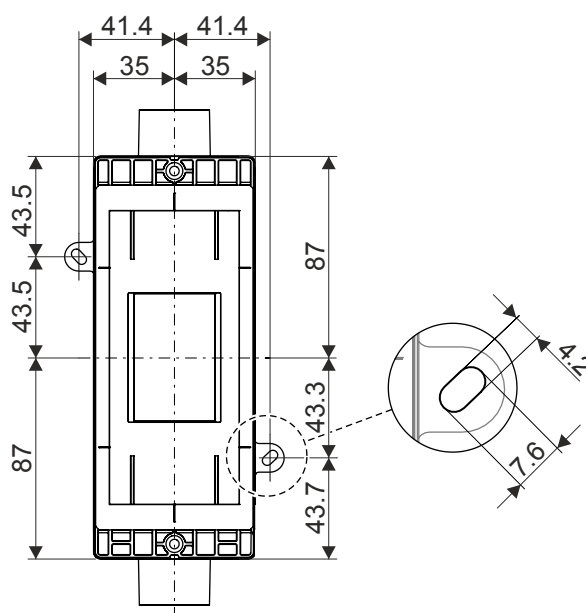
### 5.1 Technical data

Dimensions (W x H x D)	95 x 214 x 74 mm
Air humidity	5...95 % rel.
Ambient temperature	-20...+60 °C
Storage temperature	-30...+70 °C
Protection category	IP54
Weight in kg	
● ASD filter box	0.220
● ASD filter set	0.009
Material	ABS plastic (acrylonitrile-butadiene-styrene)
Color	~RAL 9010 pure white

## 5.2 Dimensions



## 5.3 Drill pattern



## 5.4 Environmental compatibility and disposal



This equipment is manufactured using materials and procedures which comply with current environmental protection standards as best as possible. More specifically, the following measures have been undertaken:

- Use of reusable materials
- Use of halogen-free plastics
- Electronic parts and synthetic materials can be separated

Larger plastic parts are labeled according to ISO 11469 and ISO 1043. The plastics can be separated and recycled on this basis.



Electronic parts and batteries must not be disposed of with domestic waste.

- Take electronic parts and batteries to local collection points or recycling centers.
- Contact local authorities for more information.
- Observe national requirements for disposing of electronic parts and batteries.



# Index

## A

ASD filter box, 4

ASD filter set, 4

## D

Details for ordering, 7

Disposal, 14

## E

Environmental compatibility, 14

## I

Intended use, 4

## M

Maintenance intervals, 10

## O

Original language, 4

## R

Recycling, 14

## S

Scope of delivery, 7

Source language, 4

Spare part, 7

Issued by  
Siemens Switzerland Ltd  
Building Technologies Division  
International Headquarters  
Gubelstrasse 22  
CH-6301 Zug  
Tel. +41 41-724 24 24  
[www.siemens.com/buildingtechnologies](http://www.siemens.com/buildingtechnologies)

© Siemens Switzerland Ltd, 2016  
Technical specifications and availability subject to change without notice.