



## Butterfly Valves

## VKF41.xxxH

Butterfly valves designed for fitting between counter-flanges, for integration into air trains

- DN65...DN200
- Angle of rotation 85° non-swing through
- No maintenance required
- Suited for use with air and non-aggressive flue gases
- In connection with SQM33, SQM40, SQM45, SQM50 actuators and ASK33.4 mounting kit

The VKF41.xxxH and this Data Sheet are intended for use by OEMs which integrate the VKF41.xxxH in their products.

### Use

In combustion plant as controlling devices, for example:

- As air control valves
- Flue gas recirculation damper

## Warning notes



**To avoid injury to persons, damage to property or the environment, the following warning notes must be observed!**

### **Do not interfere with or modify the butterfly valves!**

- All activities (mounting, installation and service work, etc.) must be performed by qualified staff
- Fall or shock can adversely affect the safety functions. Such valves must not be put into operation, even if they do not exhibit any damage

## Mounting notes

- Ensure that the relevant national safety regulations are complied with
- Mounting between counter-flanges conforming to DIN 2632, DIN 2633 and ISO 7005-2
- Butterfly valve, actuator and mounting kit can be straightforwardly assembled on site
- No special tools or adjustment required
- The butterfly valve can accommodate flow in either direction
- Use flange gaskets that are suited for the type of gas the valve will control

## Commissioning notes

The butterfly valve may only be put into operation if mounting kit and actuator are correctly fitted.

## Standards and Certificates



Note  
Only in connection with the actuator!



EAC Conformity mark (Eurasian Conformity mark)



ISO 9001:2008  
ISO 14001:2004  
OHSAS 18001:2007



China RoHS  
Hazardous substances table:  
<http://www.siemens.com/download?A6V10883536>

## Service notes

- VKF41.xxxH butterfly valves require no maintenance
- After service work has been carried out, the butterfly valve may be put into operation only if actuator and mounting kit are correctly reassembled

## Disposal notes



Prior to disposal, the butterfly valve must be dismantled and separated into its various materials.  
Local and currently valid legislation must be observed.

## Mechanical design

---

Butterfly valve  
VKF41.xxxH

Disk and spindle are made of stainless steel.  
The valve disk is non-swing through.

ASK33.4 mounting kit

In all cases, an ASK33.4 mounting kit is required for mounting the actuator SQM33, SQM40 or SQM50 with drive shaft AGA58.5 onto the butterfly valve VKF41.xxxH. The mounting kit consists of coupling with a preassembled mounting kit.



**Danger!**  
The mounting kit (e.g. ASK33.4) is designed for temperatures up to a maximum of 60 °C.

## Type summary

---

Article no.	Type	DN [mm]	Max. flow rate m <sup>3</sup> at Δp = 1 kPa air
S55592-G207-A100	VKF41.65H	65	570
S55592-G208-A100	VKF41.80H	80	1070
S55592-G209-A100	VKF41.100H	100	1870
S55592-G210-A100	VKF41.125H	125	3300
S55592-G211-A100	VKF41.150H	150	5300
S55592-G212-A100	VKF41.200H	200	9200

Legend

DN nominal diameter

## Ordering

---

Butterfly valve, actuator and mounting kit must be ordered as individual items. Specify in your order the number of pieces, name and type reference.

*Example:*

- 1 VKF41.125H butterfly valve
- 1 ASK33.4 mounting kit
- 1 SQM50.381A2 actuator

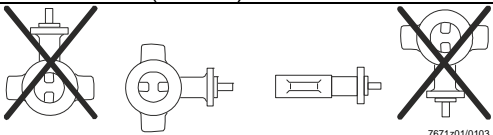
Delivery

Butterfly valve, actuator and mounting kit are packed as individual items.

## Accessories

<b>Butterfly valve VKF41.xxxH</b>	refer to <i>Type summary</i>
<b>Actuator SQM33</b>	refer to Data Sheet N7813
<b>Actuator SQM40</b>	refer to Data Sheet N7817
<b>Actuator SQM45</b>	refer to Data Sheet N7814
<b>Actuator SQM50</b>	refer to Data Sheet N7815
<b>Mounting kit ASK33.4</b>	refer to Data Sheet N7814 or Mounting Instruction M7813/7814 (74 319 0916 0) For mounting the actuator SQM33, SQM40, SQM45 or SQM50 with drive shaft AGA58.5 onto the butterfly valve VKF41.xxxH

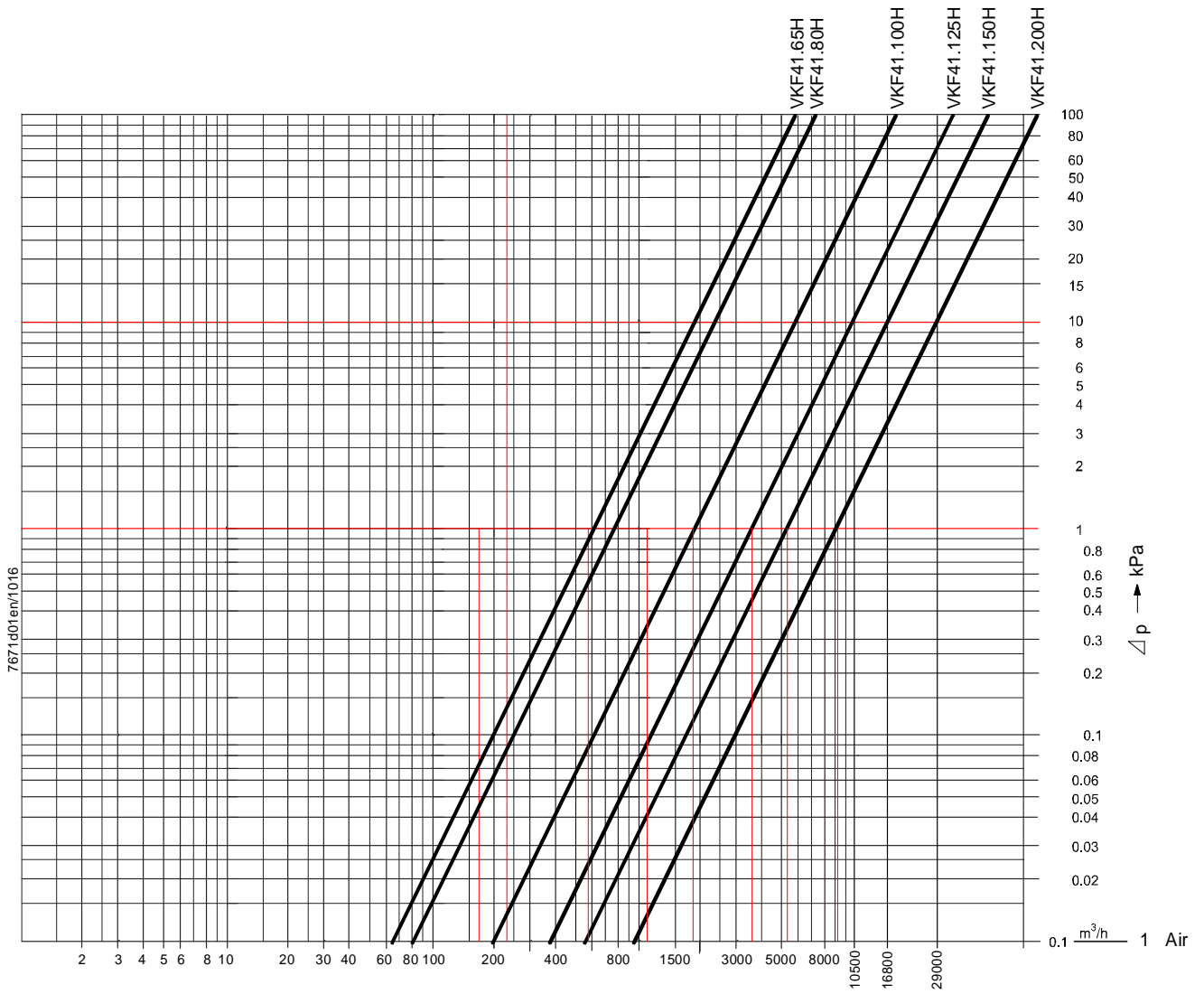
## Technical data

General valve data	Type of gases	Air and non-aggressive flue gases
	Permissible medium temperature	-20...+200 °C
	Operating pressure	Max. 40 kPa (0.4 bar)
	Mounting positions	
	Leakage rate	Refer to «Type summary»
	Angular rotation	Butterfly valve 90° (with end stop)
	Materials	
	- Valve body	Cast iron EN-GJL-250
	- Spindle and disk	Stainless steel
	- Spindle seal	Alloy of non-ferrous metal H
Weight	Refer to <i>Dimensions</i>	
Environmental conditions	<b>Storage</b>	DIN EN 60721-3-1
	Climatic conditions	Class 1K3
	Mechanical conditions	Class 1M2
	Temperature range	-20...+60 °C
	Humidity	<95 % r.h.
	<b>Transport</b>	DIN EN 60721-3-2
	Climatic conditions	Class 2K2
	Mechanical conditions	Class 2M2
	Temperature range	-20...+60 °C
	Humidity	<95 % r.h.
	<b>Operation</b>	DIN EN 60721-3-3
	Climatic conditions	Class 3K5
	Mechanical conditions	Class 3M2
	Temperature range	-20...+200 °C
	Humidity	<95 % r.h.
Installation altitude	Max. 2,000 m above sea level	



**Caution!**  
Condensation, formation of ice and ingress of water are not permitted!

# Flow diagram



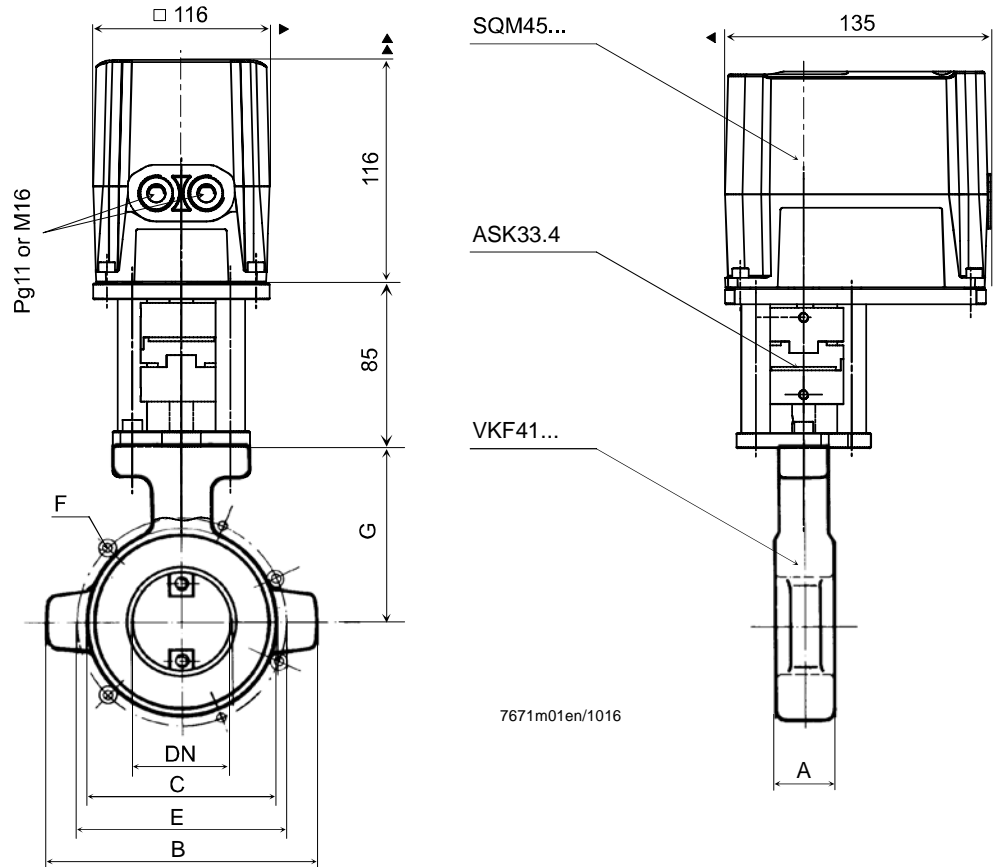
## Danger!

- Do not use for flammable gases
- The pressure loss (maximum flow lines) is based on a fully opened damper

## Dimensions

Dimensions in mm

VKF41.xxxH with  
SQM45... and ASK33.4



Type	A	B Ø	C Ø	E	F	G	Weight [kg]
VKF41.65H	30	160	117	130	M12 (4x)	99,5	2.37
VKF41.80H	30	175	133	150	M16 (4x)	107	2.63
VKF41.100H	30	195	153	170	M16 (4x)	117	2.92
VKF41.125H	40	225	183	200	M16 (8x)	137,5	5.25
VKF41.150H	40	255	208	225	M16 (8x)	150	6.29
VKF41.200H	40	310	263	280	M16 (8x)	175	8.44