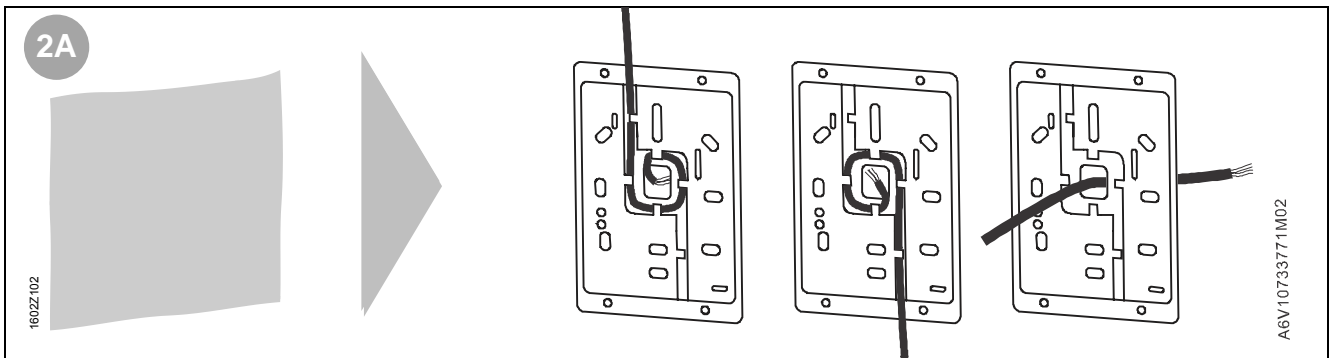
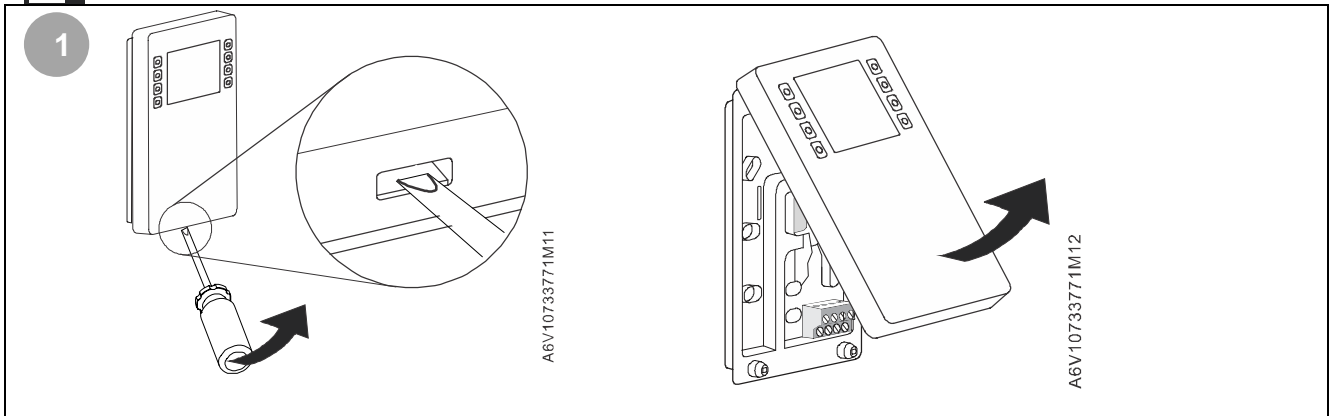
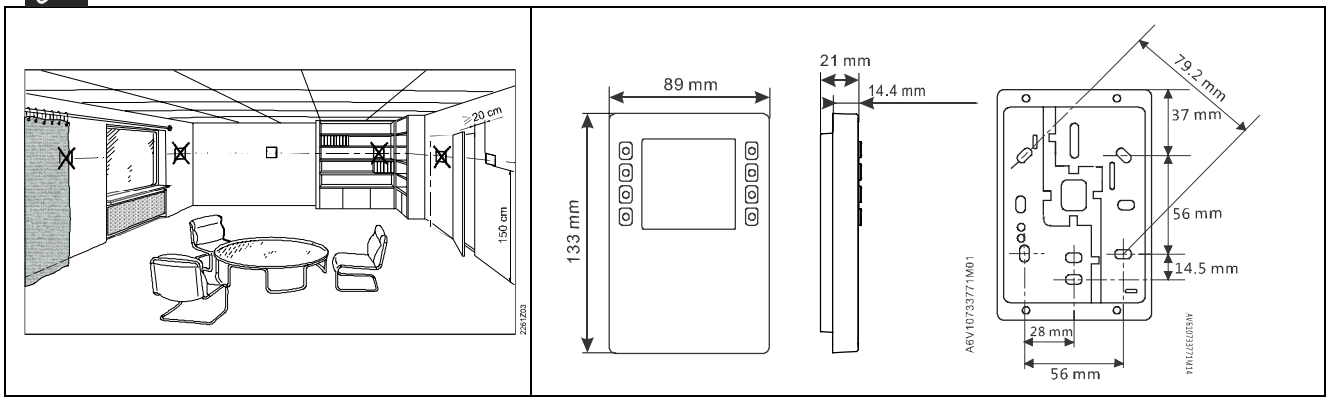
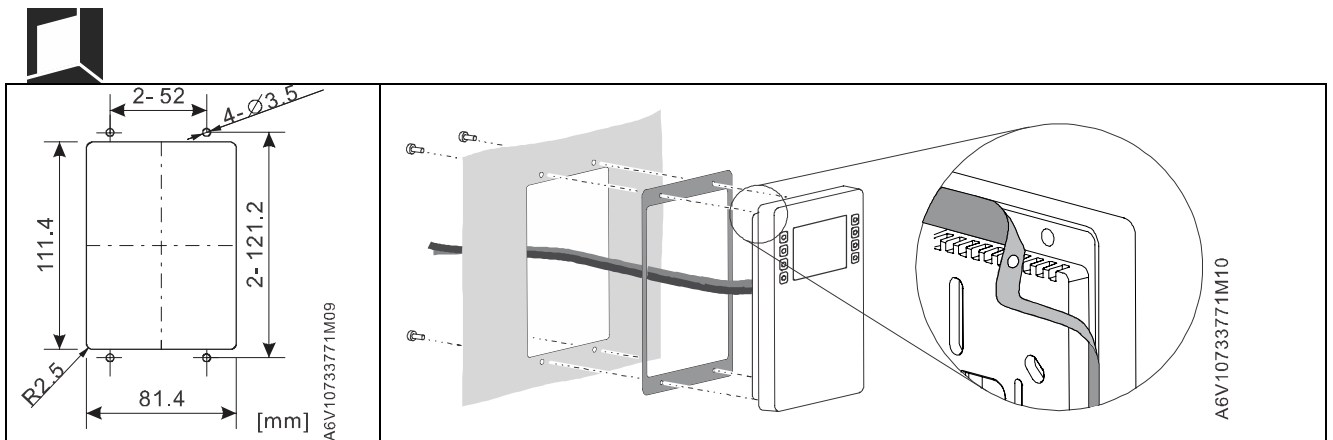
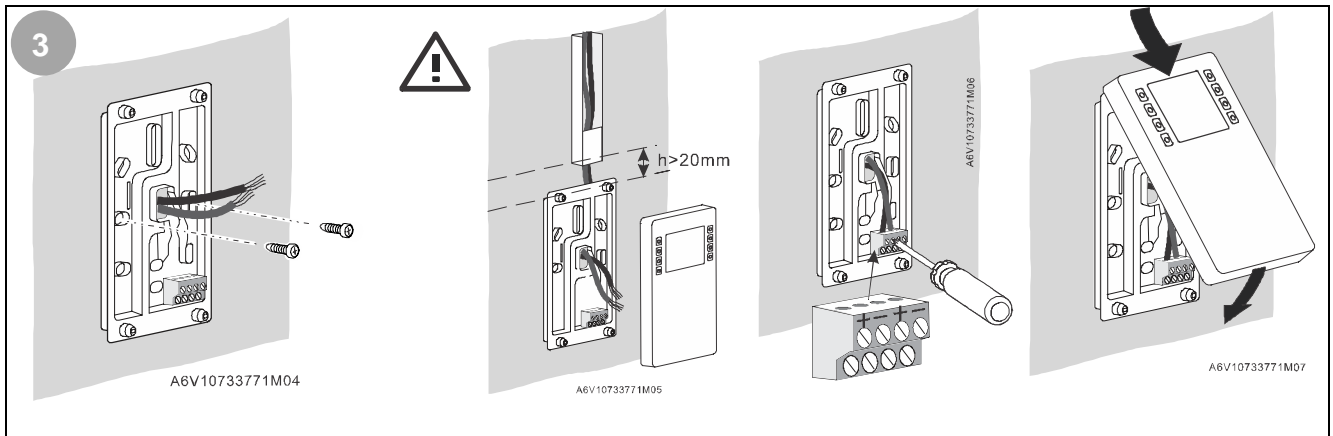
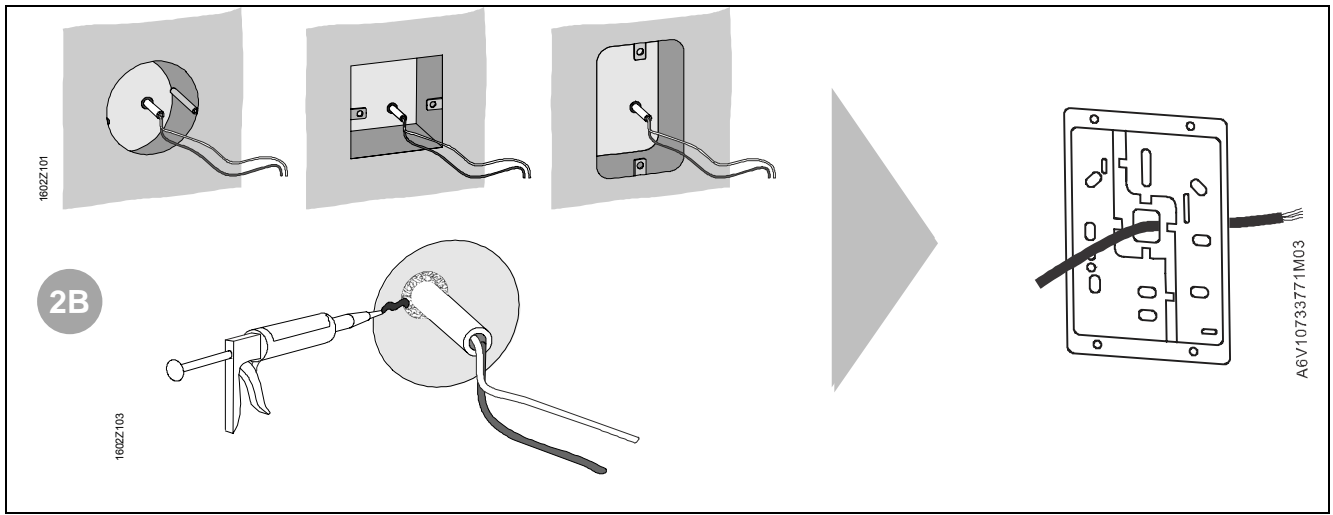




QMX2.P33 QMX2.P43





Issued by
 Siemens Switzerland Ltd
 Building Technologies Division
 International Headquarters
 Gubelstrasse 22
 CH-6301 Zug
 Tel. +41 41-724 24 24
 www.siemens.com/buildingtechnologies

© Siemens Switzerland Ltd., 2017
 Technical specifications and availability subject to change without notice.