



DESIGO S7

Touch Panel S7 TP700

S55372-C117

Use together with DESIGO S7, Building Solution

-
- Local operation and monitoring of Desigo S7 Building Solution
 - Integration in panel door
 - Operation and monitoring of max. 4 Desigo S7 automation stations.
 - Connection via MPI, Profibus TP, or Ethernet TCP/IP
 - Graphics can be freely created to achieve top operating comfort and flexibility.

Application

Local operation and monitoring distinguishes itself through the following system and product features:

- Plug and play for standard functionality
- User-friendly operation through harmonized and clear operation at each graphics hierarchy as well as clear operator philosophy
- Quick search from the operator point of view by means of plant view, aggregate view, and data point view (structuring into different automation stations hidden from the operator).
- Operator assistance through a common alarm display in each view (plant, aggregate).
- SIMATIC Comfort panel with DESIGO-specific design and firmware
- Minimized engineering effort: System settings such as automation station IT addresses and passwords for operation are entered on S7 TP700)
- Bus capable to operate and monitor several plants in different SIMATIC S7 CPUs
via MPI, Profibus DP, and Ethernet TCP/IP, and option to display plants, aggregates, and individual data points in sequence from several CPUs, and operate information points (e.g. set points, switching commands) as needed.
- Max. 4 Desigo S7 automation stations can be connected:
- Engineering data is saved for automatic start upon switch-on and return of power. Automatic display of startup screen with plant view
- Password protection at several levels for operation
- Delivery in German and English
- Local operation logged in the management system (Desigo Insight) and displayed on S7 TP700.

Function

The Touch Panel S7 TP700 applies a **hierarchical operating philosophy**:

- **Startup window** (all plants)
- **Plant image** (all aggregates or components of a plant)
- **Aggregate image** (all components of an aggregate).
- **Data point screens**
 - Plant
 - Characteristic curve (CHAR_LIN)
 - Message (BI, MI)
 - Measured value (AI)
 - Controller (PID_CTR, CAS_CTR)
 - Switching command (BO, MO)
 - Setpoint (AVAL_OP, MVAL_OP, etc.)
 - Positioning command (AO)
 - Counter value (CI)

Type summary

When ordering, please specify the quantity, product number, stock number, and designation.

Type	Stock number	Designation
DESIGO-TP700	S55372-C117	Desigo S7 TP700 Touch Panel local HMI

System data setting

The **Config menu** provides the following items:

- Enter/change MPI/Profibus DP or Ethernet addresses
- Password administration / user administration
- Change language

The **System menu** provides the following items:

- Touch calibration
- System settings

Follow-up engineering

The Touch Panel S7 TP700 is delivered with the standard functionality. As a rule, extensions are possible (e.g., parameterization, color, font size, free masks, free graphics). The engineering software **WinCC Comfort V13 SP1 (TIA Portal)** is required to create graphics.

- **Font and size** can be changed (only on menus such as HOME Page, config, etc.).
- The **Font size** can be changed using the XML file (for plants, aggregates, component overview, and data point level).
- The **Color** can be changed using the XML file (for data point level, but not for plants, aggregates, component overview).

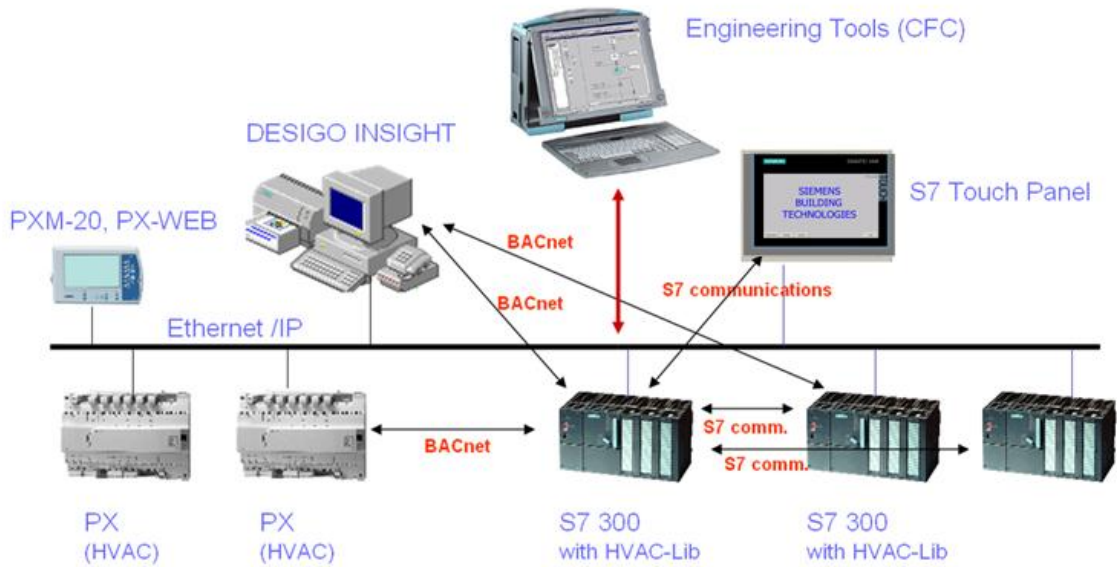
Special configuration

Several Touch Panel S7 TP700 can be connected to a Desigo S7 plant (MPI/Profibus DP or Ethernet).

Example for hardware

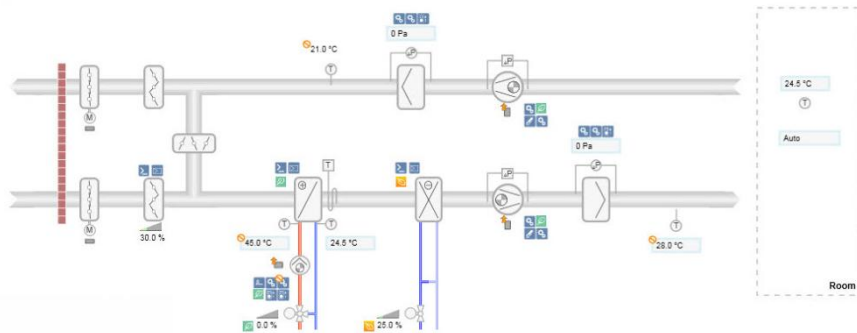
Desigo S7 Building Solution

- Use Case: Programming HVAC application,
- structured view of BACnet clients.



Free graphics

Graphics can be freely created to achieve top operating comfort and flexibility. They offer comfortable and clear plant operation. At the same time, individual operating concepts can be implemented. Free graphics can be combined with standard functions.



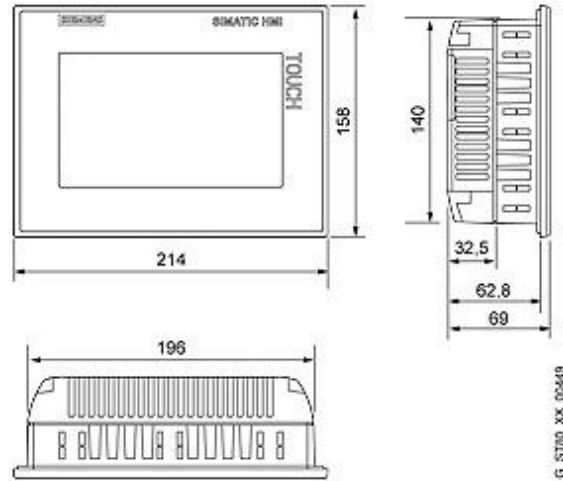
Technical data

Power	Operating voltage	DC 24 V
	Power consumption	12 W
Display	Type	Touchscreen 7" (152.4 x 91.4 mm) with show and hide keyboard, 15 lines, 800 x 480 Pixel, 16 mn. colors
	Processor	AMD Inc, I486
	Operating system	Windows CE Version 6.00

Ambient conditions	Humidity	Max. 90 %
	Operating temperature	Vertical 0...50 °C Slope ±35° 0...40 °C
	Transport, storage	-20...60 °C
Connections	Integrated interface	MPI/PROFIBUS DP/ETHERNET/PN IE
IP class		IP65 (front), IP20 (rear)
Product safety	CE conformity	Yes
	cULus	Yes
	RCM (former C-TICK)	Yes
	KC approval	Yes
EMC	Emission of RF interference per	EN 55 011
	• Limit value class A, for use in industrial areas	Yes
	• Limit value class B, for use in residential areas	No
	Electromagnetic compatibility as per RL	89/336/EEC
Degree of protection and safety class	IP (front)	IP65
	P (rear)	IP20
Dimensions	Dimensions in mm, see Dimensions	
	Front plate WxH	214x158 mm
	Mounting dimensions WxHxD	197x141x63 mm
Weight	Excl. packaging	1.4 kg
Software / Engineering	<ul style="list-style-type: none"> • Standard functionality is available without special engineering. • Extensions with WINCC Comfort V13 SP1 (TIA Portal) are possible (extension of masks, creation of graphics) • A S7 TP700 can operate and monitor max. 4 SIMATIC S7-CPU. • (Setting of CPU addresses via standard mask in TP) • Multiple S7 TP700s can simultaneously operate and monitor a SIMATIC S7-CPU. 	

Dimensions

All dimensions in mm



Mounting excerpt (W x H): 197 x 141 mm

Published by:
Siemens Switzerland Ltd.
Building Technologies Division
International Headquarters
Gubelstrasse 22
6301 Zug
Switzerland

Tel. +41 41-724 24 24

www.siemens.com/buildingtechnologies