



## FDM231-RP / FDM231-RP(F)

### Manual call point

Addressed (FDnet/C-NET)

Sinteso™  
Cerberus™ PRO



- 
- Manual call points for addressed Sinteso FS20 and Cerberus PRO FS720 fire detection systems
  - Manual call points with direct activation
  - Two-wire installation for all cable types
  - Communication via FDnet/C-NET (addressed individually)
  - Resettable plastic insert

## Properties

---

- **Eco-friendly**
  - Environmentally friendly processing
  - Reusable materials
  - Electronic parts and synthetic materials can be easily separated
- **Features**
  - Protected electronics
  - Built-in alarm indicator (LED)
  - Integrated line separator

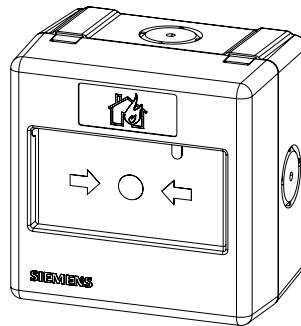
## Manual call points FDM231-RP / FDM231-RP(F)

---

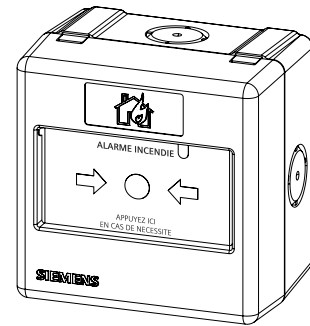
### Surface mounting

- FDM231-RP with resettable plastic insert
- FDM231-RP(F) with resettable plastic insert (version for France)
- FDMH231-S-R back box with sealed openings for cable diameters up to max. 5 mm

FDM231-RP



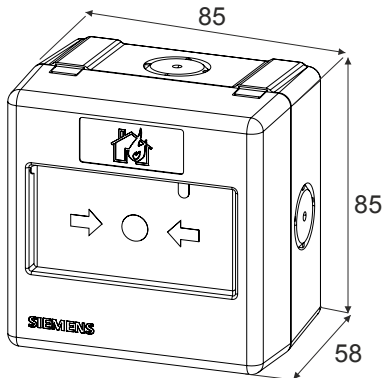
FDM231-RP(F)



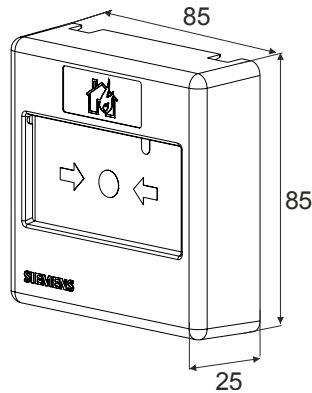
- **Function**
  - Direct alarm activation by pressing the plastic insert
  - The key resets the switch and restores the device to a state of operational readiness
- **Use**
  - For the immediate manual activation of an alarm
  - Only suitable for indoor applications
  - For surface mounting

## Dimensions

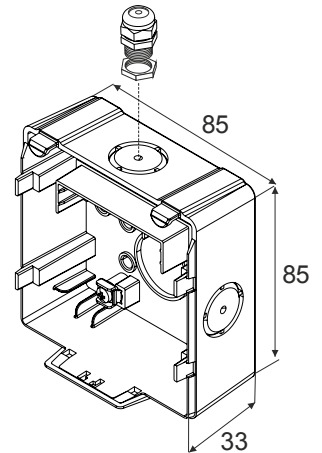
FDM231-RP  
FDM231-RP(F)



FDME231  
FDME231-FR



FDMH231-S-R



## Technical data

<b>FDM231-RP</b> <b>FDM231-RP(F)</b>	Operating voltage	DC 12...33 V	
	Operating current (quiescent)	180 µA	
	Operating temperature	-25...+65 °C	
	Storage temperature	-30...+65 °C	
	Air humidity (no moisture condensation)	≤95 % rel.	
	Communication protocol	FDnet/C-NET	
	Connection terminals	0.28...1.5 mm <sup>2</sup>	
	Color	~RAL 3000 flame red	
	Protection category (IEC 60529)	IP44	
	Standards	EN 54-11, EN 54-17	
	Design according to EN 54-11	Type A (direct activation)	
	Approvals		
	- VdS	G215064	FDM231-RP FDM231-RP(F)
	- LPCB	531k/12 531k/13	FDM231-RP FDM231-RP(F)
	System compatibility		
- FDnet		FS20	
- C-NET		FS720	

15  0832

**FDM231 / FDM231-RP / FDM231-RP(F)**

Siemens Switzerland Ltd; Gubelstrasse 22  
CH-6301 Zug  
Technical data: see doc. **A6V10404679**

FDM231 - Manual callpoint incl. short-circuit isolator for use in fire detection and fire alarm systems installed in buildings.

305/2011/EU (CPR): EN 54-11 / EN 54-17 ; 2014/30/EU (EMC): EN 50130-4 / EN 61000-6-3 ; 2011/65/EU (RoHS): EN 50581

The declared performance and conformity can be seen in the Declaration of Performance (DoP) and the EU Declaration of Conformity (DoC), which is obtainable via the Customer Support Center: Tel. +49 89 9221-8000 or <http://siemens.com/bt/download>

DoP No.: 0832-CPR-F0816; DoC No.: CED-FDM231

## Details for ordering

	Type	Art. no.	Designation	Weight
FDM231	FDM231-RP	S54311-F11-A1	Manual call point with plastic insert incl. back box and key FDMK231	0.150 kg
	FDM231-RP(F)	S54311-F16-A1	Manual call point with plastic insert incl. back box and key FDMK231 <sup>1</sup> Version for France	0.150 kg
	FDMH231-S-R	S54311-B12-A1	Back box, red	0.100 kg
	FDME231	S54311-B14-A1	Switching unit incl. key FDMK231	0.100 kg
	FDME231-FR	S54311-B13-A1	Switching unit for 'France' incl. key FDMK231	0.100 kg
	–	A5Q00004478	M20 x 1.5 metal cable gland	0.039 kg
	–	A5Q00004479	M20 x 1.5 counter nut	0.006 kg
Spare parts	FDMK231	S54311-B10-A1	Key	0.001 kg

<sup>1</sup> The switching unit and back box are supplied in separate packaging units

You will find additional information in the following documents:

- Equipment overview, documents 008164 (Sinteso), A6V10225323 (Cerberus PRO)
- For system compatibility, see the lists of compatibility, documents 008331 (Sinteso) and A6V10229261 (Cerberus PRO)
- Technical manual for manual call points FDM231-RP / FDM231-RP(F), document A6V10404679