

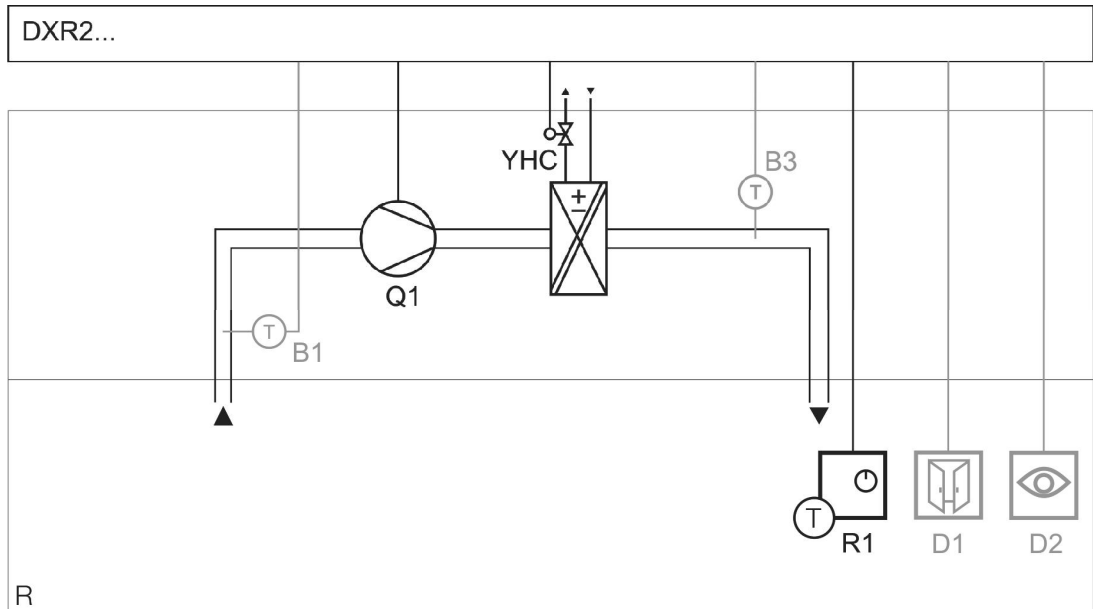
Fan coil unit with staged fan, heating/cooling coil (2 pipe) on analog output

DXR2..09-101A



- Heating with LTHW and cooling with CHW changeover
- Modulating control of heating and cooling valve (2 pipe) on analog output
- Automatic or manual 3-speed fan control
- Room temperature and fan speed operation via KNX PL-Link room operator unit with temperature measurement

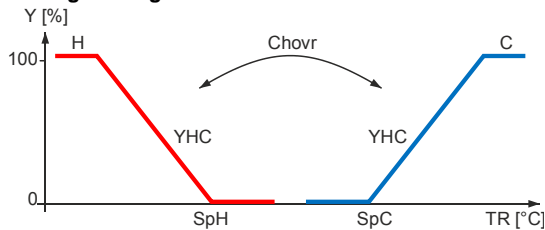
Plant diagram



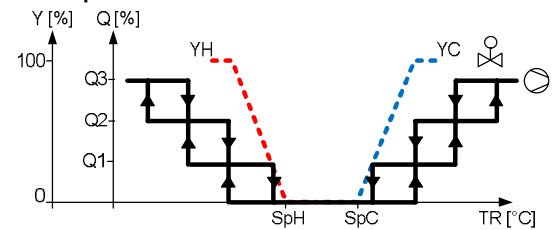
DXR2...	Room automation station	Q1	3-speed fan
B1	Extract air temperature sensor	R	Room
B3	Supply air temperature sensor	R1	Room operator unit with temperature sensor
D1	Window contact	YHC	Heating/cooling coil valve
D2	Presence detector		

Function diagrams

Heating/cooling valves



1-2-3-speed fan



Chovr	Changeover	Q3	Fan speed 3
C	Cooling sequence	SpC	Effective cooling setpoint
H	Heating sequence	SpH	Effective heating setpoint
Q	Fan output signal	TR	Room temperature
Q1	Fan speed 1	Y	Output signal
Q2	Fan speed 2	YHC	Heating/cooling valve

Fan coil unit with staged fan, heating/cooling coil (2 pipe) on analog output

DXR2..09-101A

Description of functions

Basic functions

- PID control for heating and cooling.
- The 2 pipe system provides hot and chilled water for the heating/cooling coil.
- 0...10 V valves controlled by analog outputs for heating and cooling.
- The fan is controlled manual on the room operator unit or automatic in 3 speeds.
- The temperature is measured in the room operator unit.
- The application allows customers to adjust the room temperature setpoints via the room operator unit.
- The operating modes are Comfort, Pre-Comfort, Economy and Protection.
- Changeover managed by central functions distributed over BACnet grouping.
- Change of operating mode via room unit, presence detector, window contact or central command.
- The air flow for heating and cooling is operated in sequence to the valves. Parallel operation can be configured.

Auxiliary functions

- Green Leaf (RoomOptiControl) function.
- Multisegment use of DXR2 automation stations with fan coil unit application.
- Standard hot and cold water supply chain control.
- The application allows for control via centralized commands (e.g. scheduler program for room operating mode).
- Central optimum start control provides best room comfort at the start of occupancy.
- Central operation or reset of setpoints, timed valve kick function or outside temperature dependent heating limit.
- Central override functions for valves.
- Seasonal compensation of room temperature setpoints.

Options

- Optimal energy efficiency by including the option for room/supply air cascade control, presence detector or window contact.
- Optional system alarms displayed on the management station notify building operators of possible faults.
- Optional trends can be activated for room sensors.

Variants

- The room temperature can be measured by:
 - KNX PL-Link wall-mount sensor
 - KNX PL-Link flush-mount room operator unit
 - KNX PL-Link flush-mount sensors
 - Analog extract air temperature sensor
- Presence can be detected by KNX PL-Link sensor or binary sensor.

Siemens devices	Legend	Type of unit	Data sheet	Product No.	Qty.
	DXR2...	Compact room automation station, BACnet/IP, 230 V, flat housing, 1 DI, 2 UI, 3 DO relays, 3 AO 0...10 V	N9204	DXR2.E09-101A	1
			N9206	DXR2.M09-101A	
	R1	KNX PL-Link room operator unit with temperature sensor, segmented backlit display, touchkeys	N1602	QMX3.P34	1
	YHC	2-port, 3-port valve or 3-port valves with bypass, PN16	N4845	V..P45..	1
		Electromotive actuator, AC/DC 24 V, DC 0...10 V	N4864	SSP61	1

Fan coil unit with staged fan, heating/cooling coil (2 pipe) on analog output

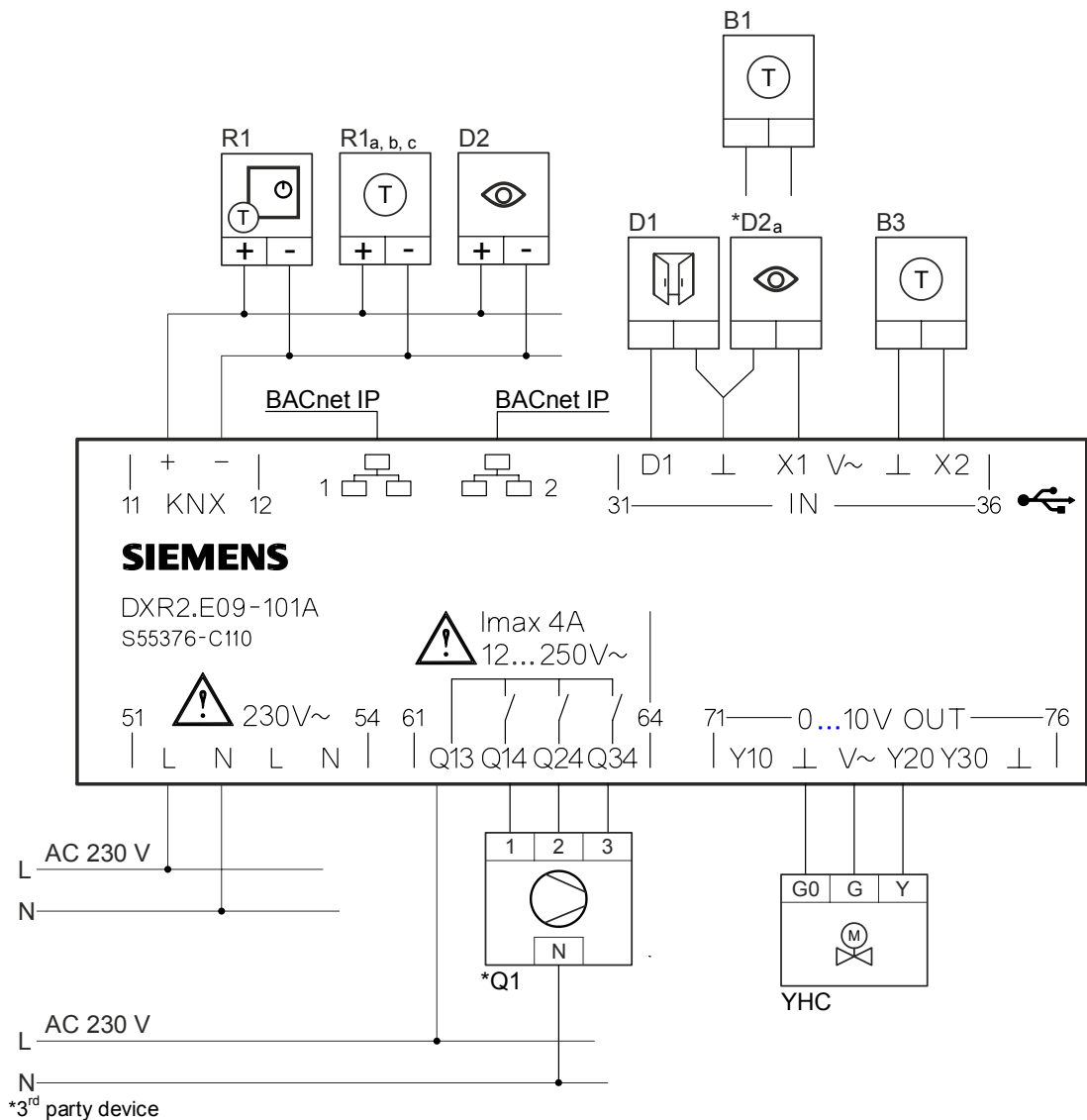
DXR2..09-101A

Optional ¹⁾	Legend	Type of unit	Data sheet	Product No.	Qty.
B1		Cable temperature sensor PVC 2 m, LG-Ni1000	N1831	QAP22	1
B3		Cable temperature sensor PVC 2 m, LG-Ni1000	N1831	QAP22	1
D1		Door/window contact, white	2)	S 290/11	3)
D2		KNX PL-Link presence detector with brightness sensor	2)	UP 258D12	1 - 4

¹⁾ Can be combined according to available on-board I/Os on controller.
²⁾ Further documents on www.siemens.com/gamma-td.
³⁾ Type of operation (NO or NC). Multiple devices of the same type can be connected.

Variants	Legend	Type of unit	Data sheet	Product No.	Qty.
R1 _a		KNX PL-Link wall-mount room sensor for temperature	N1602	QMX3.P30	1
R1 _b		KNX PL-Link flush-mount room operator unit	N1601	QMX3.P36	1
R1 _c		KNX PL-Link flush-mount room sensors	N1411	AQR253... AQR257...	1

Connection diagram



Fan coil unit with staged fan, heating/cooling coil (2 pipe) on analog output

DXR2..09-101A

Application configuration

	Equipment	Values/Range	Template settings
On-board output	Fan speed	1-stage; Q14; Normally open 2-stage; Q14, Q24; Normally open 3-stage; Q14, Q24, Q34; Normally open Variable speed; Y10; 0...10 V	3-stage; Q14, Q24, Q34; Normally open
	Heating/cooling coil valve position	2-pipe; Y20; 0...10 V 2-pipe; Y30; 0...10 V 4-pipe 6-way; Y20; 0...10 V 4-pipe 6-way; Y30; 0...10 V	2-pipe; Y20; 0...10 V
KNX PL-Link devices	Room operator unit device 1	QMX3.P02, QMX3.P34, QMX3.P36, QMX3.P37, QMX3.P74	QMX3.P34

Optional configuration

	Equipment	Values/Range	Template settings
On-board input	Room temperature (B1)		X1; LG-Ni1000
	Supply air temperature (B3)		X2; LG-Ni1000
	Presence detector 2 (D2 _a)		X1, Normally open
	Window contact (D1)		D1; Normally closed
KNX PL-Link devices	Sensor device 1...4 (D2)		JP 258D12

Default values

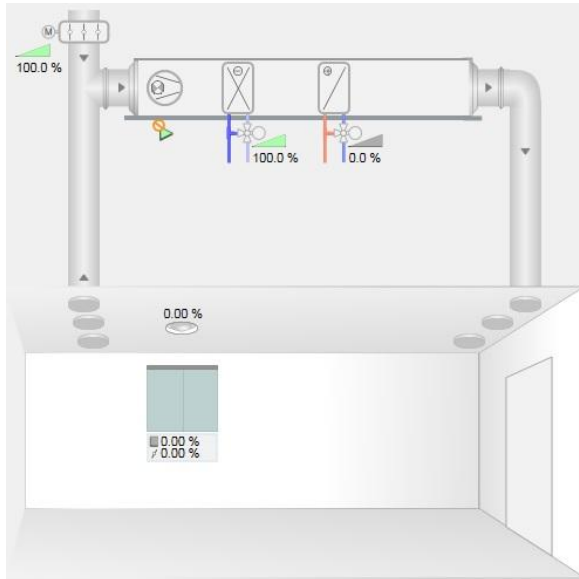
	Parameter	Values/Range	Template settings
Temperature setpoints	Cooling setpoint for Comfort	0 ... 50 °C	24 °C
	Delta cooling setpoint for Pre-comfort	0 ... 10 K	1 K
	Cooling setpoint for Economy	0 ... 50 °C	35 °C
	Cooling setpoint for Protection	0 ... 50 °C	40 °C
	Heating setpoint for Comfort	0 ... 50 °C	21 °C
	Delta heating setpoint for Pre-comfort	0 ... 10 K	1 K
	Heating setpoint for Economy	0 ... 50 °C	15 °C
	Heating setpoint for Protection	0 ... 50 °C	12 °C
Room operator unit	Room unit, display temperature	None Display room temperature	Display room temperature
	Room unit, display windows status	Yes, No	No
	Room unit, display heat./cool. status	Yes, No	Yes
	Enable operation: room temp. setpoint	Yes, No	Yes
	Room unit, room temp. setpoint display	Absolute temperature setpoint Relative setpoint shift	Relative setpoint shift
	Enable operation: fan speed setpoint	Yes, No	Yes
	Enable operation: presence button	Yes, No	No
	Enable operation: temporary Comfort	Yes, No	No
	Enable operation: room op. mode	Yes, No	No
Enable operation: Green Leaf	Yes, No	Yes	

Fan coil unit with staged fan, heating/cooling coil (2 pipe) on analog output

DXR2..09-101A

Engineering

- ABT Site engineering tool is required to configure the DXR2 automation stations.
- See the Siemens Download Center at www.siemens.com/bt/download for the latest application configuration and workflow tutorials.
- Option combination according to available on-board I/Os on controller.
- B1 (optional extract air temperature sensor) to be configured under 'Room temperature' in order to serve for room temperature control.
- D2_a (on-board presence detector) to be configured in ABT Site under 'Presence detector 2' for maximum combination of optional devices.
Type of operation (NO or NC). Multiple devices of the same type can be connected.

Management station

Sample presentation of a fan coil unit application on the Desigo CC management station.

Siemens Switzerland Ltd
Building Technologies Division
International Headquarters
Gubelstrasse 22
CH-6301 Zug
Tel. +41 41-724 24 24
Fax +41 41-724 35 22

www.siemens.com/buildingtechnologies

© 2015 Siemens Switzerland Ltd
Subject to change