



FDCIO223 (ES ≤ 45)

Transponder

Addressed (FDnet/C-NET)

Sinteso™
Cerberus™ PRO



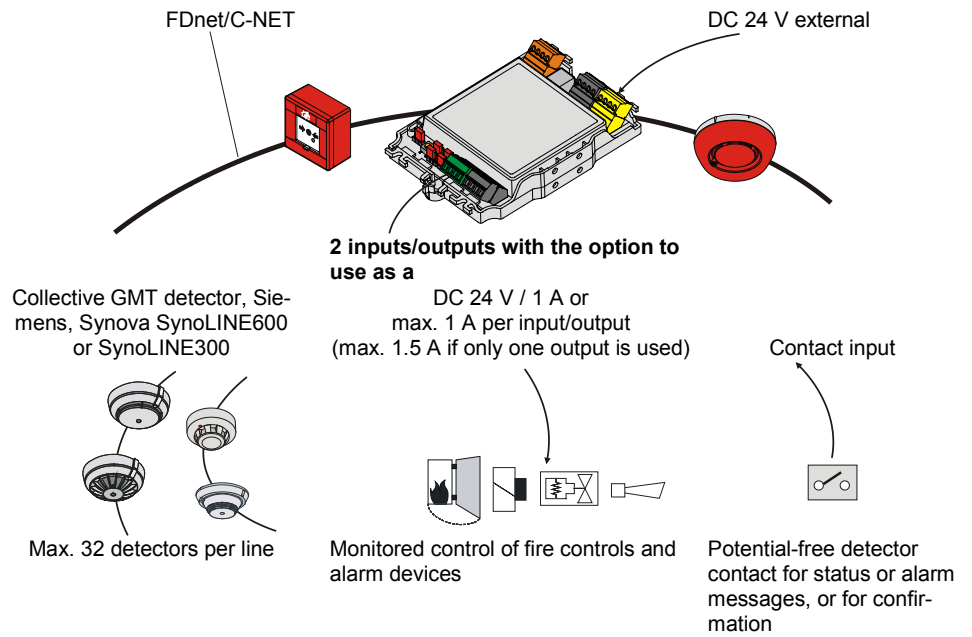
- 2 monitored inputs/outputs, which can optionally be used as a detector line (collective Siemens/Cerberus, Synova 600, or collective Synova 300), contact input, control output, or as a control output with confirmation
- LED indicator for input/output statuses, fault, test, etc.
- DC 24 V control output for equipment, max. 1 A
- Two-wire installation for all cable types
- Pluggable connection terminals
- DC 24 V power supply, external (detector lines electrically isolated)
- Microprocessor-controlled signal processing
- Communication via FDnet/C-NET (addressed individually)
- Can be used in dry, dusty, and humid areas
- Different mounting options

Properties

- **Eco-friendly**
 - Environmentally friendly processing
 - Recyclable materials
 - Electronic parts and synthetic materials can be easily separated
- **Features**
 - Transparent housing, ensuring that indicators are easy to see
 - Protected electronics
 - Integrated line separator
 - Easy mounting using snap fastener
 - Can be used in dry areas
 - Use additional housing for dusty and humid environments

Transponder FDCIO223

- **Function**
 - The 2 inputs/outputs can be configured independently of one another as follows
 - Collective detector line
 - Contact input
 - Control output
 - Control output and input as confirmation with selectable monitoring window
 - The inputs/outputs are monitored as follows
 - Detector line set to quiet, alarm, open line, short-circuit, fault, and ground fault
 - Contact input set to quiet, activated, open line, short-circuit, fault (terminating resistor), and ground fault
 - Control output set to quiet, open line, short-circuit, and ground fault
 - Status indicator by means of LED
 - Control output with selectable equipment monitoring, either identical polarity or reverse polarity (e.g., alarm devices)
- **Use**
 - For connecting to collective fire detectors (GMT line, GMT line with safety barrier (SB3) for areas at risk of explosion)
 - For monitored control of smoke dampers, alarm devices, door magnets, and extinguisher triggering devices (observe country-specific regulations)
 - As a monitored signal input for status or alarm messages, or for confirming technical statuses

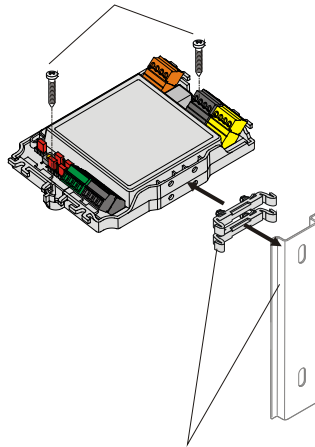


Installation

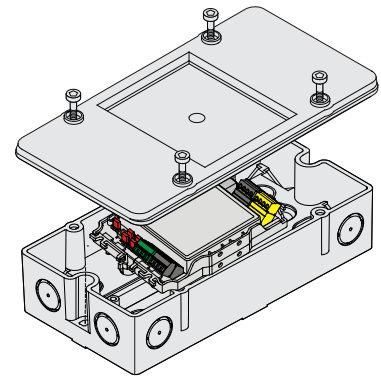
- Directly on mounting surface
- Mounting (series mounting) on TS35 U-rail
- Surface-mounted or recess-mounted cable entries
- In housing FDCH221 with cover, seal, and screws

Direct mounting in control cabinet / control panel

Mounting in separate FDCH221 housing

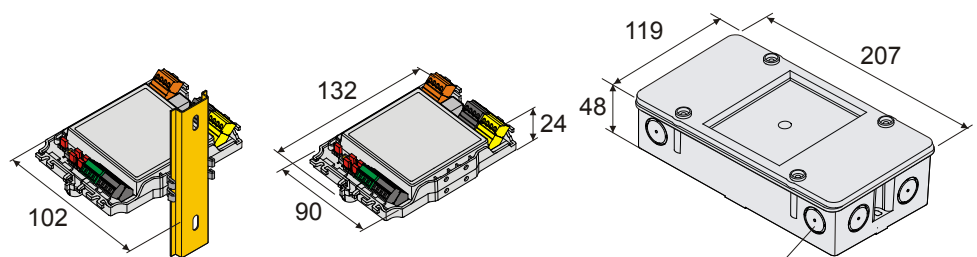


Series mounting using mounting feet supplied, on profile rail TS35



Use DBZ1190-AB auxiliary terminals for shielded cables


Dimensions



Break-out points for metal cable glands and M20 counter nuts

Technical data

FDnet/C-NET operating voltage	DC 12...33 V
External power supply	
- Input voltage	DC 18...32 V (fuse provided by customer)
Inputs/outputs as	
- Collective detector line	GMT Siemens/Cerberus, Synova 300, or similar
- Collective line code KLK	32
- Terminal resistance	20 V voltage reference diode or EOL22(Ex)
- Control output	DC 24 V ±5 % / max. 1 A (fuse provided by customer) per output and max. 1.5 A if only one output is used
- Contact input	
- Terminating resistor combinations	3.3 kΩ / 680 Ω, 2.7 kΩ / 560 Ω, 3.3 kΩ
Operating temperature	-25...+60 °C
Storage temperature	-30...+65 °C
Air humidity	≤95 % rel.
Communication protocol	FDnet/C-NET
Pluggable connection terminals	0.2...1.5 mm ² (2.5 mm ² auxiliary terminal)
Color	
- Housing	White, ~RAL 9010
- Cover	Transparent matt
- FDCH221 additional housing	White, ~RAL 9010
EN 60529/IEC 60529 protection category	IP30
- With FDCH221 additional housing	IP65
Standards	CEA GEI I-084, EN 54-17, EN 54-18
Approvals	
- VdS	G206054
- LPCB	531m/03
- DNV GL (Marine)	59 825 - 13 HH
System compatibility	
- FDnet	FS20, AlgoRex, SIGMASYS
- C-NET	FS720

07  0786	FDCIO223	Siemens Switzerland Ltd; Gubelstrasse 22 CH-6301 Zug Technical data: see doc. 009122
FDCIO223 - Input/output device incl. short-circuit isolator for use in fire detection and fire alarm systems installed in buildings.		
305/2011/EU (CPR): EN 54-18 / EN 54-17 ; 2014/30/EU (EMC): EN 50130-4 / EN 61000-6-3 ; 2011/65/EU (RoHS): EN 50581		
The declared performance and conformity can be seen in the Declaration of Performance (DoP) and the EU Declaration of Conformity (DoC), which is obtainable via the Customer Support Center: Tel. +49 89 9221-8000 or http://siemens.com/bt/download		
DoP No.: 0786-CPR-20430; DoC No.: CED-FDCIO223		

Details for ordering

	Type	Art. no.	Designation	Weight
	FDCIO223	S24218-B102-A1	Transponder incl. 2x 20 V voltage reference diodes, 4 sets of terminating resistors, 2 mounting feet	0.164 kg
	FDCH221	S54312-F3-A1	Housing with cover, seal, and screws	0.280 kg
	–	A5Q00004478	M20 x 1.5 metal cable gland	0.039 kg
	–	A5Q00004479	M20 metal counter nut	0.006 kg
	DBZ1190-AB	BPZ:4942340001	1.0...2.5 mm ² connection terminal (3-pin)	0.002 kg
Spare part	FDCM291	A5Q00003855	Mounting feet (25x)	0.060 kg

For details, see equipment overview 008164 (Sinteso), A6V10225323 (Cerberus PRO)
For system compatibility details, see the lists of compatibility 008331 (Sinteso) and A6V10229261 (Cerberus PRO)

Issued by
Siemens Switzerland Ltd
Building Technologies Division
International Headquarters
Gubelstrasse 22
CH-6301 Zug
Tel. +41 41 724 24 24
www.siemens.com/buildingtechnologies

© Siemens Switzerland Ltd, 2015
Technical specifications and availability subject to change without notice.