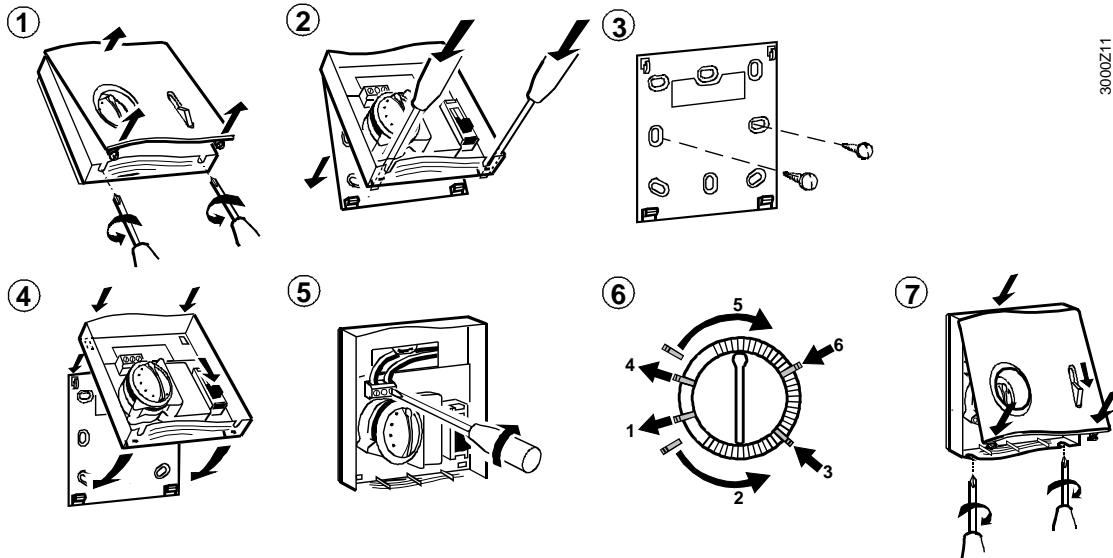


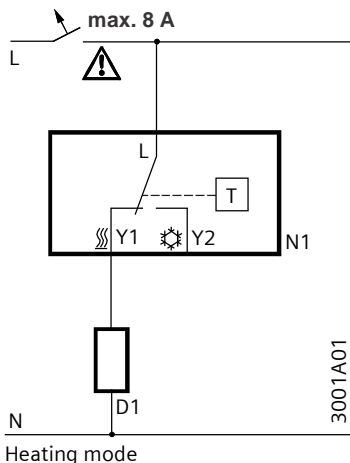
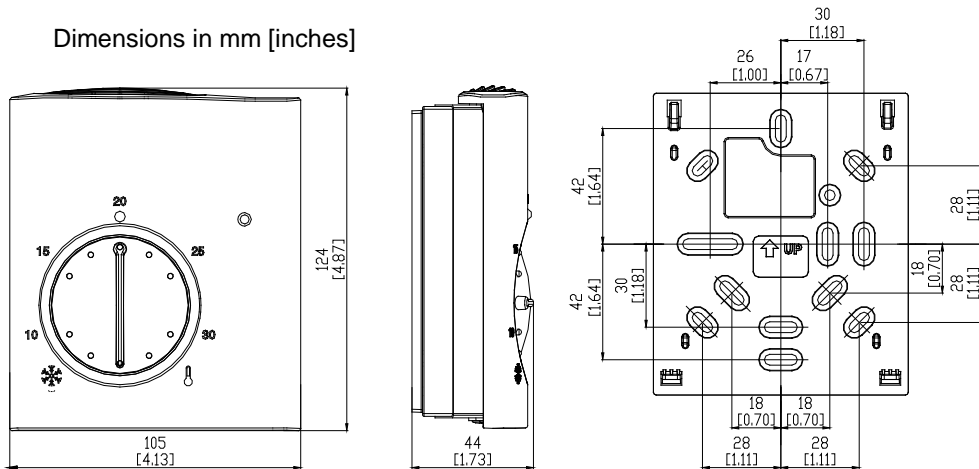
de Installationsanleitung	es Instrucciones de montaje	el Οδηγίες Εγκατάστασης
en Installation Instructions	pt Instruções de montagem	sk Návod na montáž
fr Instructions d'installation	sv Installationsanvisning	cs Montážní list
it Istruzioni di montaggio	fi Asennusohje	pl Instrukcja montażu
nl Installatie-aanwijzing	da Installationsvejledning	hu Telepítési leírás
zh 安装说明书		

RAA20LD-GB

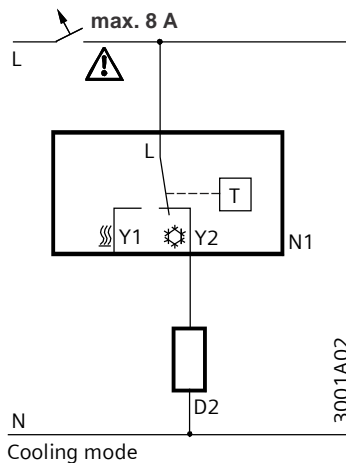


3000Z1

Dimensions in mm [inches]



Heating mode



Cooling mode

- D1 Zone valve or thermal valve for heating
- D2 Zone valve or thermal valve for cooling
- L Switching voltage AC 24...250V
- N1 Room thermostat
- Y1 Control output "Heating", AC 24...250V
- Y2 Control output "Cooling", AC 24...250V
- N Neutral
- T Thermostat element (gas-filled diaphragm)