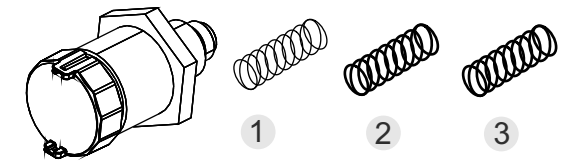
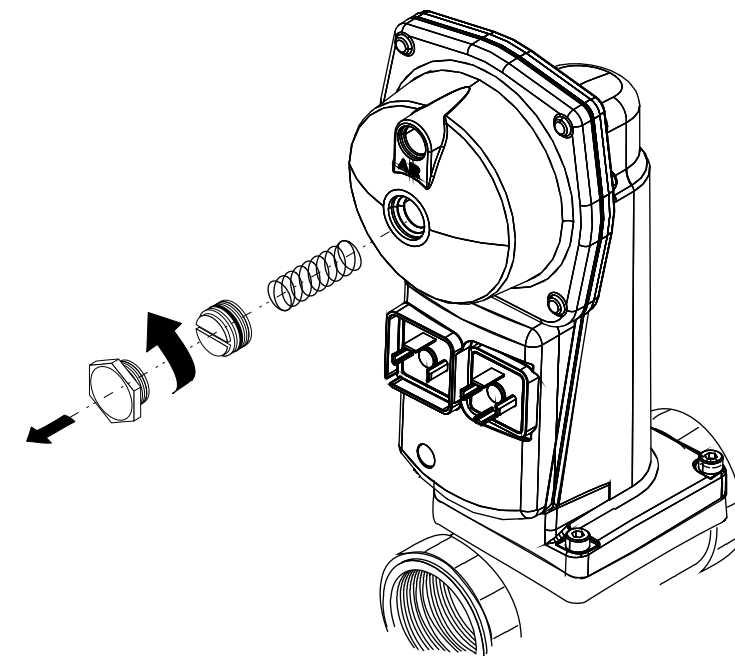


Inhalt/contents

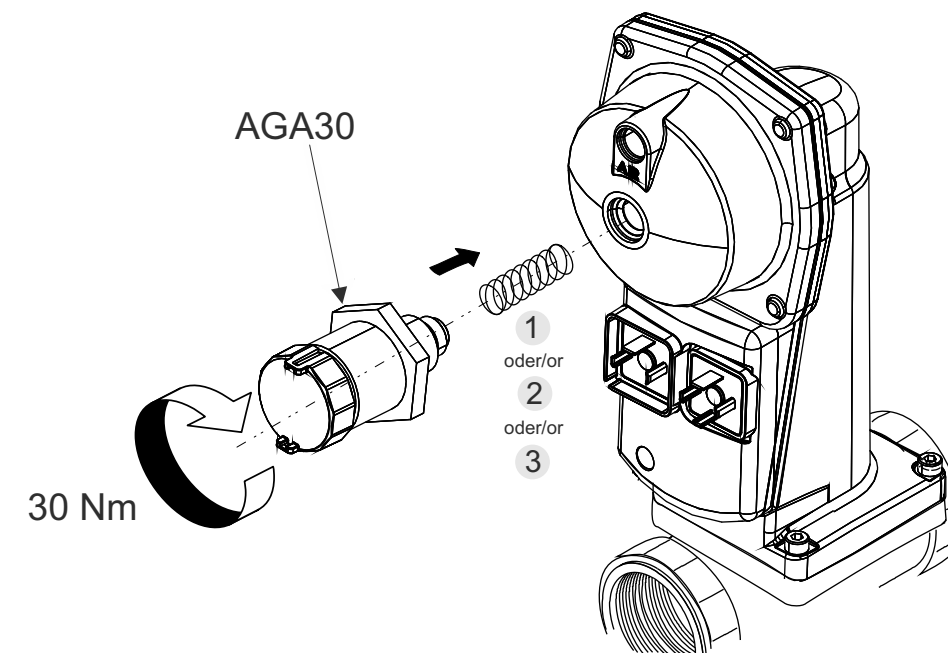
Feder/spring	1.5...12 KPa 15...120 mbar gelb/yellow	10...25 KPa 100...250 mbar rot/red	10...36 KPa 100...360 mbar blank
AGA	1	2	3
AGA30.0	X		
AGA30.1		X	
AGA30.2			X



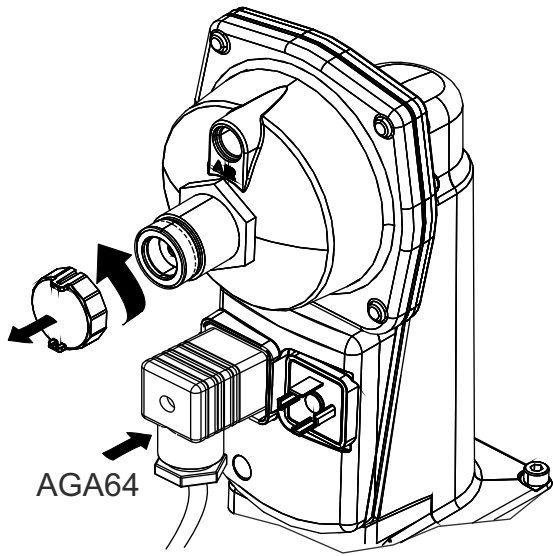
1



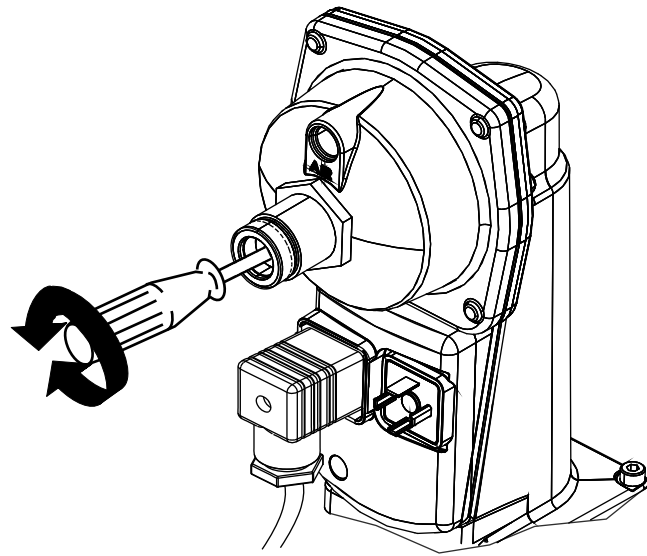
2



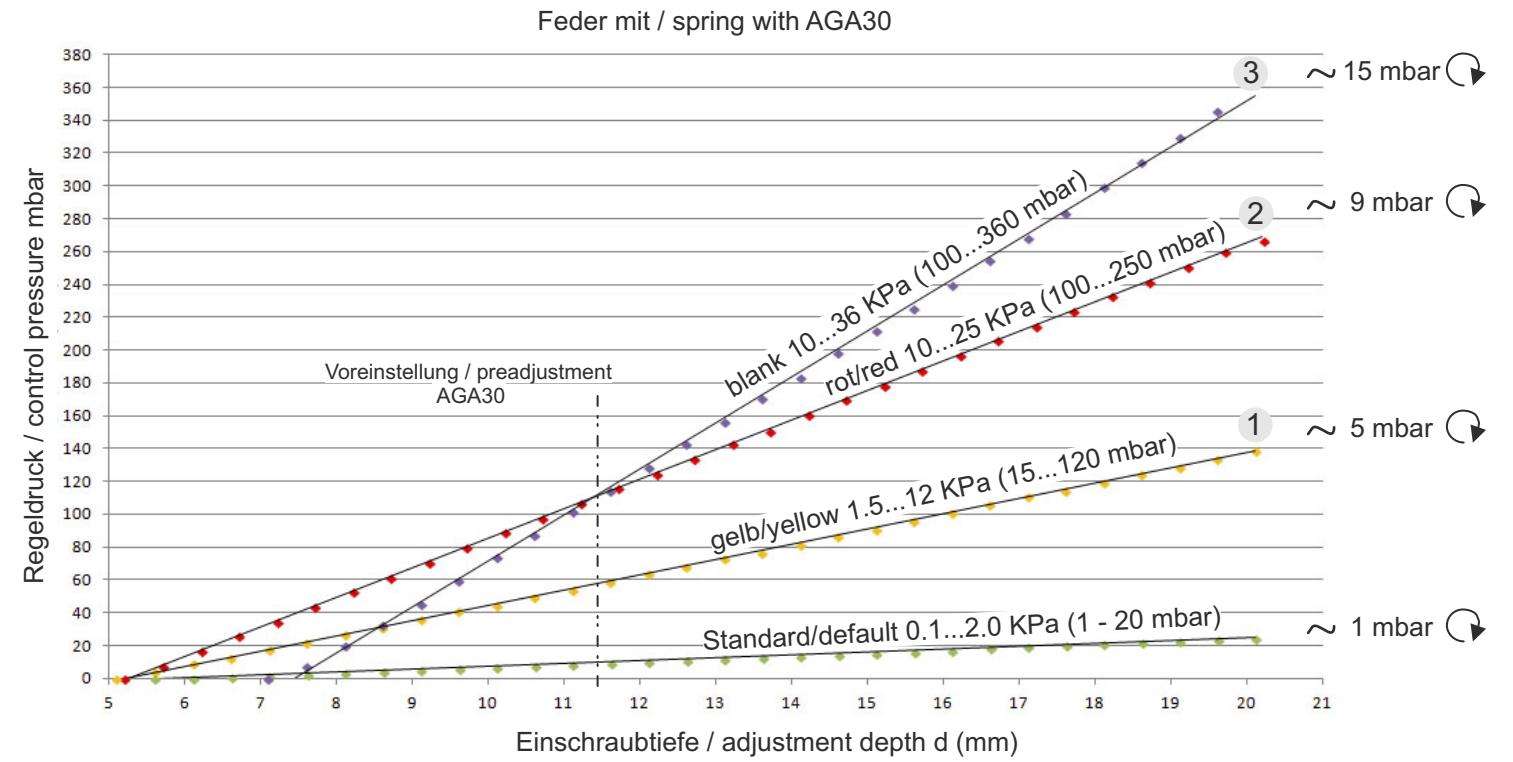
3



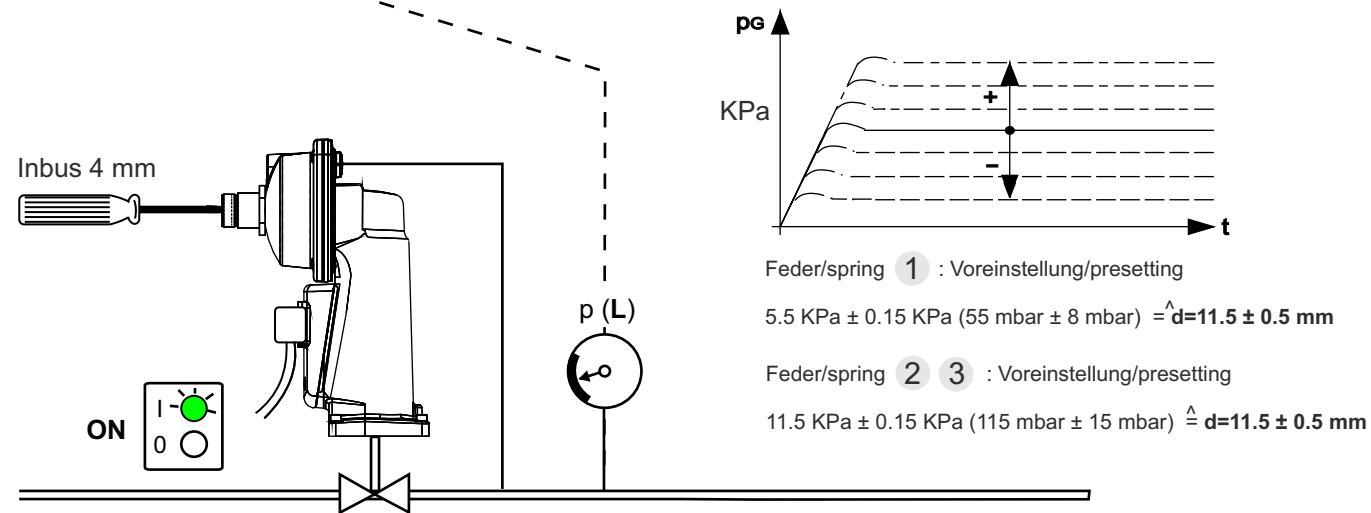
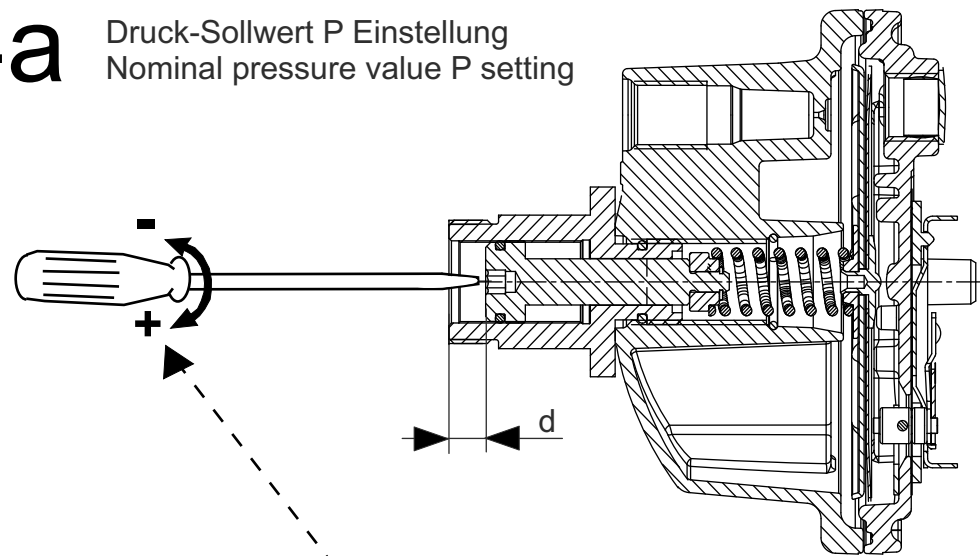
4



4b



4a Druck-Sollwert P Einstellung
Nominal pressure value P setting



5

