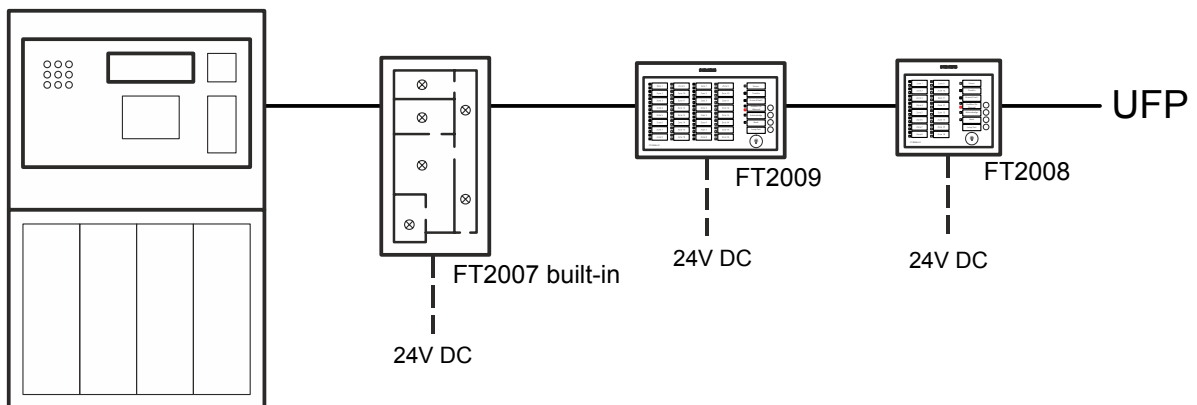


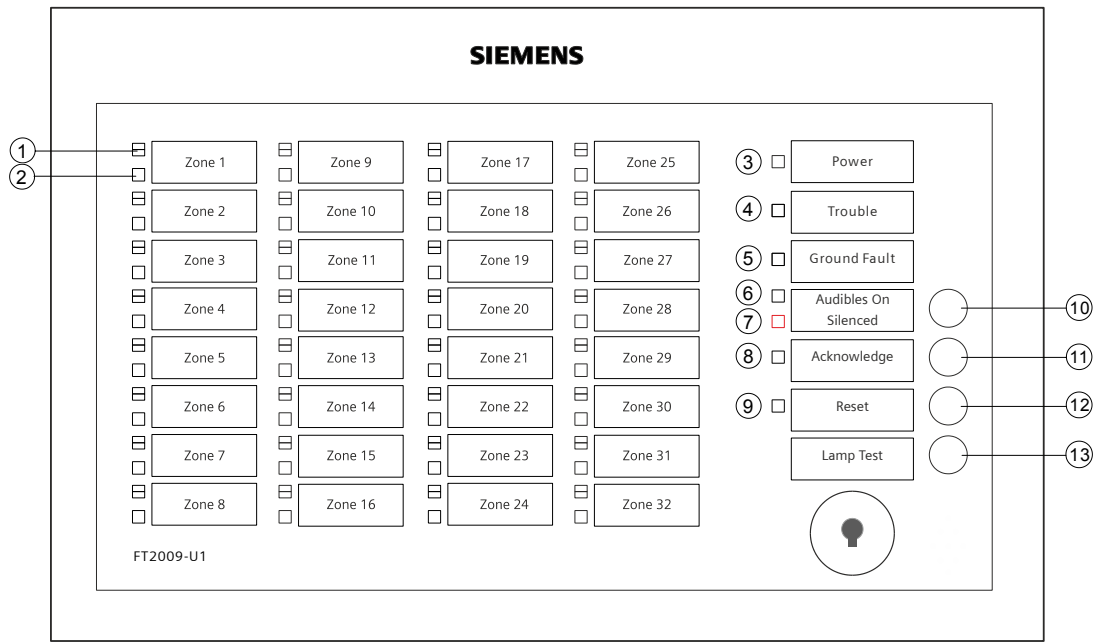
FT2009-U1 / FT2009-R1 LED Annunciator-32 Zone Product Manual

Characteristic

- 2 × 32 LEDs for 32 zones alarm/supervisory/trouble event display
- Display of system fault and ground fault from the entire system
- Communication with panel through UFP (individual address)
- External 24V DC power source required from an UL listed/recognized for fire use, regulated, power limited power supply
- In total, up to 8 UFP type devices connected to a fire control panel
- Manually activate / deactivate NAC's
- Acknowledge and reset events from the entire system
- Self test function
- Flat, elegant housing



LEDs & buttons & key switch





LEDs:

No.	Color	Status	Functions
1	Red / Yellow	On	Red: indicate alarm event or NAC activation event from the zone. Yellow: indicate supervisory event from the zone.
2	Yellow	On	Indicate trouble event from the zone.
3	Green	On	The LED annunciator power.
4	Yellow	On	Indicate trouble event from the entire system. Also indicate FT2009 communication failure. (supervised at fire control panel).
5	Yellow	On	Indicate ground fault event from the entire system.
6	Red	On	Audibles are active.
7	Yellow	On	Audibles are silenced.
8	Yellow	Flash	Event waiting to be acknowledged.
		Off	All events are acknowledged.
9	Yellow	On	The panel can be reset.
		Off	The panel is reset.

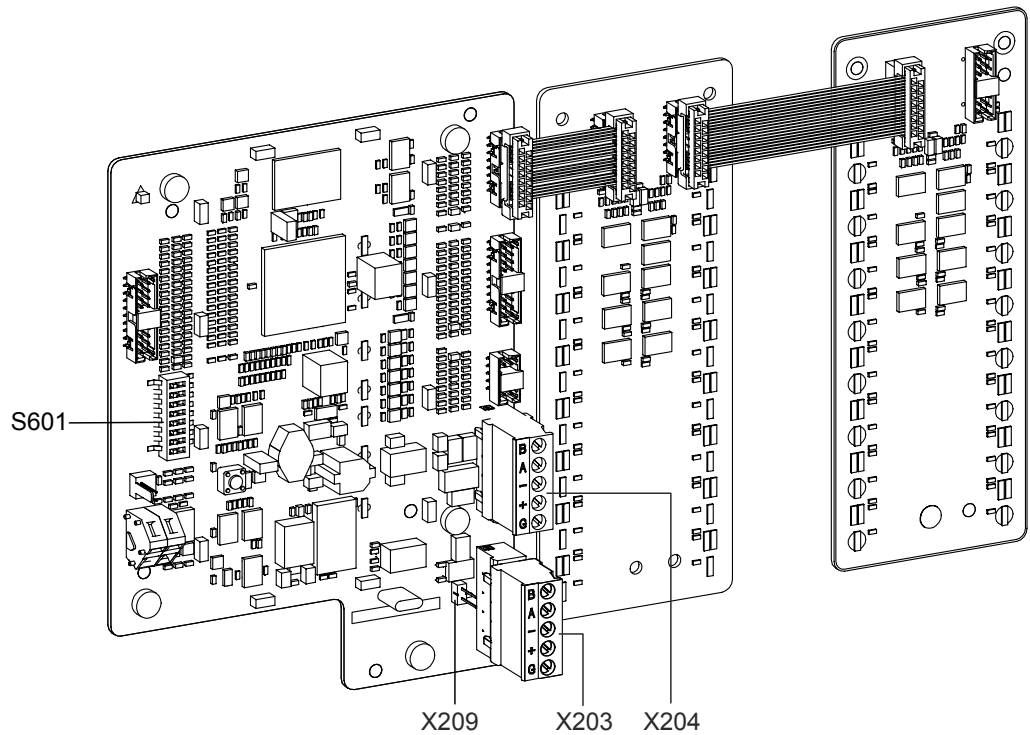
Buttons:

No.	Button	Functions
10	Audibles On / Silenced	Silence / Un-silence the NAC's in the event.
11	Acknowledge	Acknowledge events.
12	Reset	Resets the fire control panel to quiescent condition.
13	Lamp Test	Test the LEDs and local buzzer.

Key switch: The key switch is used for control of button operation.

Lock key position	Function
	Buttons locked.
	Buttons unlocked.

DIP switch & EOL jumper



- S601 Dip-Switch for address setting
- X209 EOL jumper for setting terminal resistor
- X203 / X204 Connection to UFP, power supply and grounding

Dip-switch:

8-digit Dip-switch is used for the FT2009 address setting and baud rate setting. The first 1-4 digits are for setting FT2009 address, the 7-8 digits are for setting UFP communication baud rate. The 5 and 6 digits are reserved for future use.

Address	DIP switch			
	1	2	3	4
1	On	Off	Off	Off
2	Off	On	Off	Off
3	On	On	Off	Off
4	Off	Off	On	Off
5	On	Off	On	Off
6	Off	On	On	Off
7	On	On	On	Off
8	Off	Off	Off	On

Baud Rate	DIP switch	
	7	8
9600 bps	Off	Off
19200 bps	On	Off
38400 bps	Off	On
57600 bps	On	On

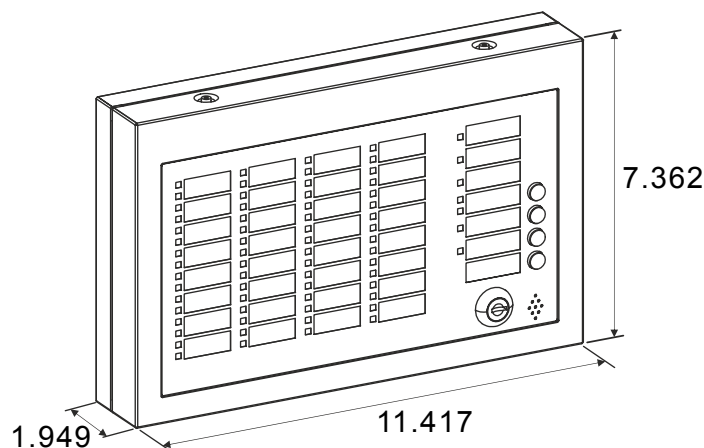
Connect to fire control panel FC901/FC2005, 19200 bps is required.

EOL jumper: EOL jumper is used for setting terminal resistor of UFP.

Jumper IN	Terminal resistor is connected.
Jumper OUT	Terminal resistor is not connected.

Dimensions

In: inch



Technical data

Operating voltage	24V DC Nominal / 18.8...27.2V DC
Operating current (quiescent)	25 mA
Activation current	105 mA
Operating temperature	32...120.2 °F
Storage temperature	14...+140 °F
Humidity	≤93 % rel.
Communication protocol	UFP
Connection terminals	14...18 AWG
Color	Black / Red
Operating location	Indoor / dry

This device complies with Part 15 of the FCC Rules. Operation is subject to the following two conditions:

- (1) This device may not cause harmful interference.
- (2) This device must accept any interference received, including interference that may cause undesired operation.

Details for ordering

Type	Material No.	Part No.	Designation	Weight
FT2009-U1	S54400-A145-A1	101592281	LED annunciator-32 Zone, black	3.748 lb
FT2009-R1	S54400-A146-A1	101592282	LED annunciator-32 Zone, red	3.748 lb

- For Canadian applications, the "FT2009-U1"/"FT2009-R1" is deemed supplementary and can be used for display only. It must be housed in a ULC-S527 approved, locked, enclosure.
- Not approved for UL/ULC MNS applications.

Issued by
Siemens Industry, Inc.
Building Technology Division
8 Fernwood Road
Florham Park, NJ 08932
Tel. +1 973-593-2600
www.sbt.siemens.com/FIS

@2016 Siemens Industry, Inc.
Technical specifications and availability subject to change without notice.