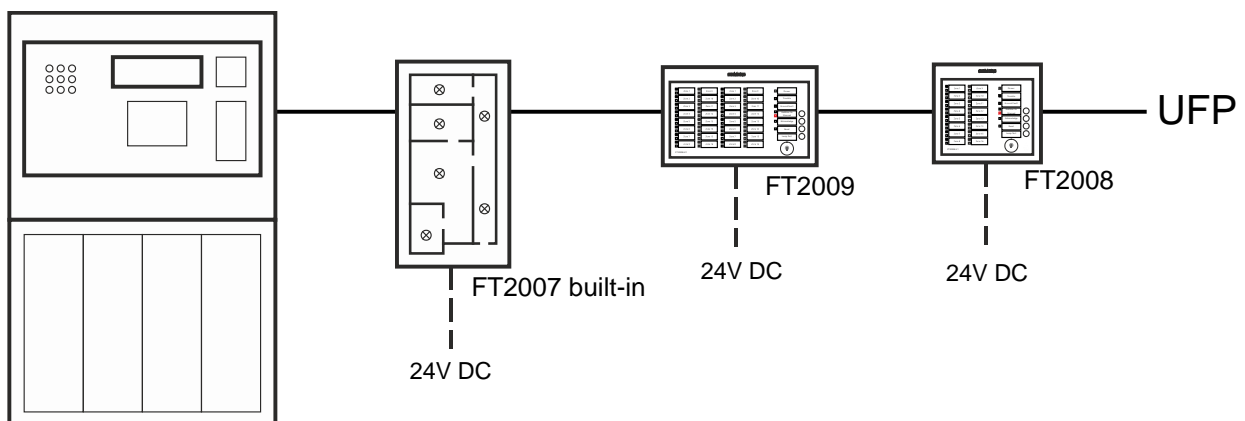


FT2007-U1 LED Annunciator Driver Product Manual

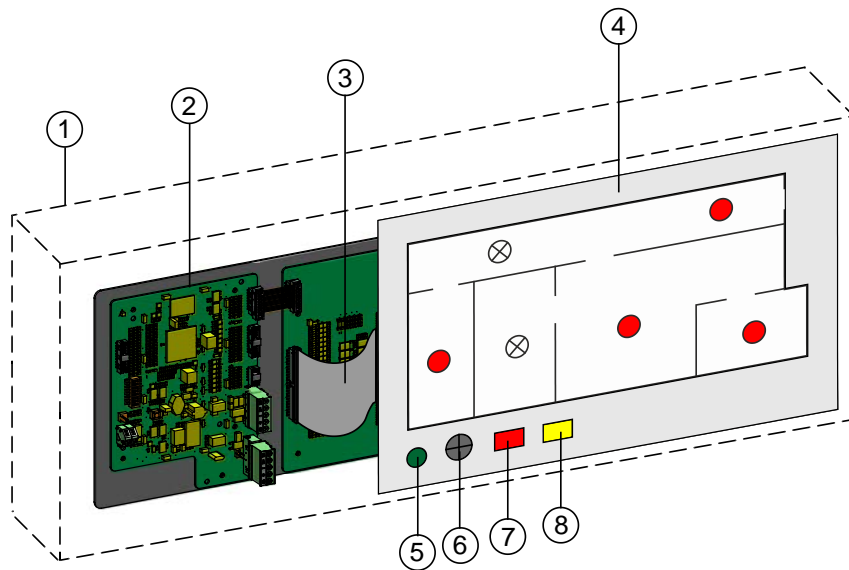
Characteristic

- 3x32 outputs for LED activation of 32 zones
- 7 control outputs for customized LED display (power, system fault and ground fault, etc.)
- 17 inputs for customized application (buttons, key switches etc.)
- Communication with panel through UFP (individual address)
- External 24V DC power source required from an UL listed/recognized for fire use, regulated, power limited power supply
- In total, up to 8 UFP type devices connected to a fire control panel



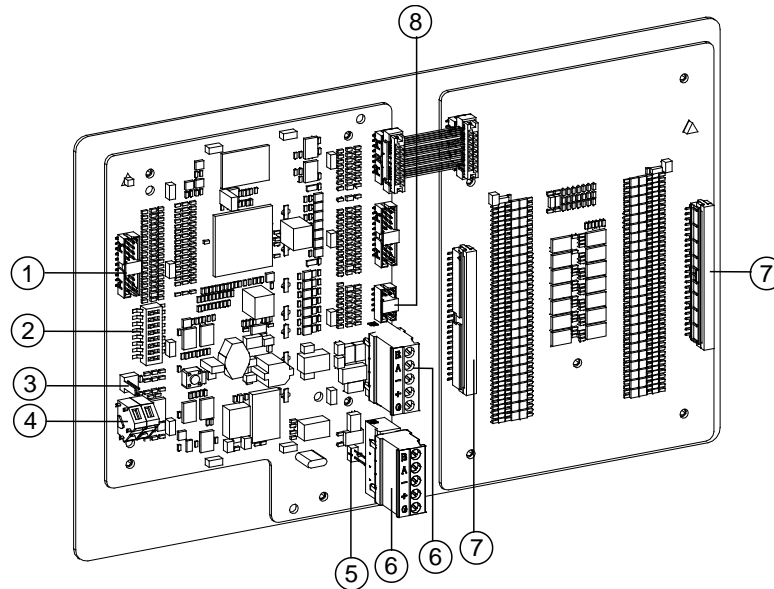
Application

The LED annunciator driver FT2007-U1 is built directly into the same housing as the graphic display panel.



- | | | | |
|---|--------------------------------------------|---|-----------------|
| 1 | 3 rd party UL certified housing | 5 | Lamp test |
| 2 | LED annunciator driver FT2007-U1 | 6 | Local buzzer |
| 3 | Flat cable | 7 | Acknowledge key |
| 4 | Synoptic display panel | 8 | Reset key |

Terminals



- | | | | |
|---|--------------------------------|---|--------------------------------------------------|
| 1 | Connection to 17 inputs | 5 | EOL jumper for setting terminal resistor |
| 2 | Dip-Switch for address setting | 6 | Connection to UFP, power supply and earth ground |
| 3 | Reserved | 7 | Connection to 2 x LED flat cable |
| 4 | Connection to buzzer | 8 | Connection to 7 LEDs |

Dip-switch:

8-digit Dip-switch is used for setting the FT2007 address and Baud Rate. The first 1-4 digits are for setting the FT2007 address, the 7-8 digits are for setting UFP communication baud rate. The 5 and 6 digits are reserved for future use.

Address	DIP switch			
	1	2	3	4
1	On	Off	Off	Off
2	Off	On	Off	Off
3	On	On	Off	Off
4	Off	Off	On	Off
5	On	Off	On	Off
6	Off	On	On	Off
7	On	On	On	Off
8	Off	Off	Off	On

Baud Rate	DIP switch	
	7	8
9600 bps	Off	Off
19200 bps	On	Off
38400 bps	Off	On
57600 bps	On	On

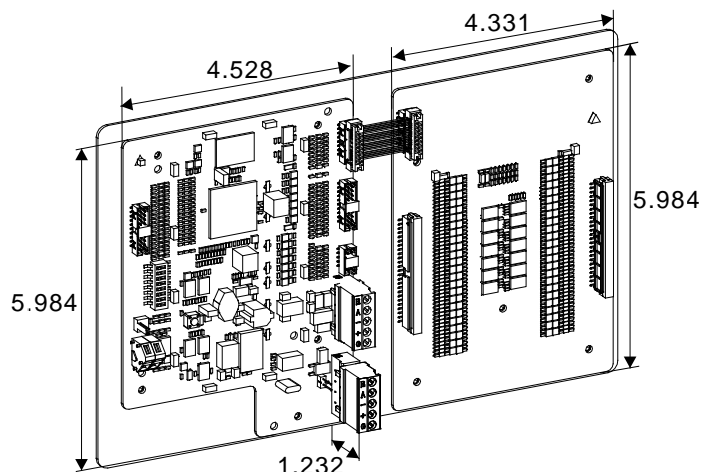
Connect to fire control panel FC901/FC2005, 19200 bps is required.

EOL jumper: EOL jumper is used for setting terminal resistor of UFP.

Jumper IN	Terminal resistor is connected.
Jumper OUT	Terminal resistor is not connected.

Dimensions

In: inch



Technical data

Operating voltage	24V DC Nominal / 18.8...27.2V DC
Operating current (quiescent)	25 mA
Activation current	250 mA
Operating temperature	32...120.2 °F
Storage temperature	14...140 °F
Humidity	≤93 % rel.
Communication protocol	UFP
Connection terminals	14...18 AWG, 28 AWG
Operating location	Indoor / dry

This device complies with Part 15 of the FCC Rules. Operation is subject to the following two conditions:

- (1) This device may not cause harmful interference.
- (2) This device must accept any interference received, including interference that may cause undesired operation.

Details for ordering

Type	Material No.	Part No.	Designation	Weight
FT2007-U1	S54400-A142-A1	101592285	LED annunciator driver	0.357 lb

- For Canadian applications, the “FT2007-U1” is deemed supplementary and can be used for display only. It must be housed in a ULC-S527 approved, locked, enclosure.
- Not approved for UL/ULC MNS applications.

Issued by
Siemens Industry, Inc.
Building Technology Division
8 Fernwood Road
Florham Park, NJ 08932
Tel. +1 973-593-2600
www.sbt.siemens.com/FIS

@2016 Siemens Industry, Inc.
Technical specifications and availability subject to change without notice.