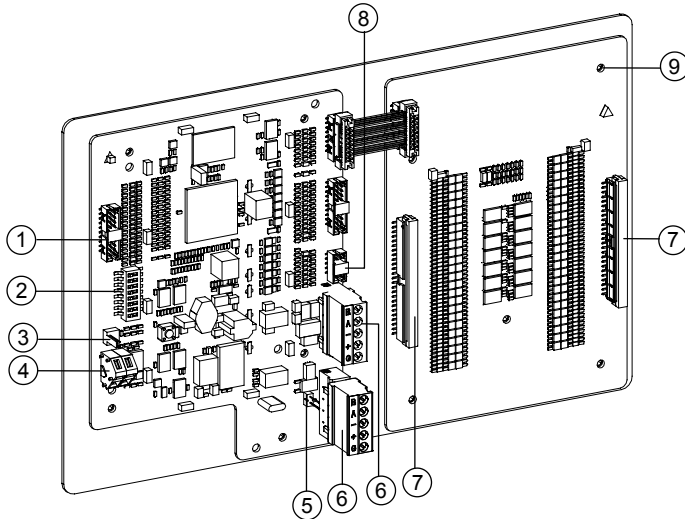
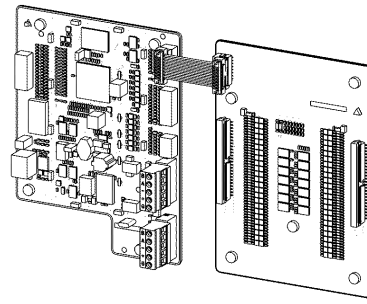
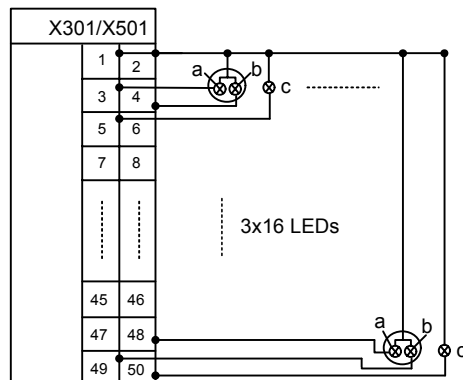
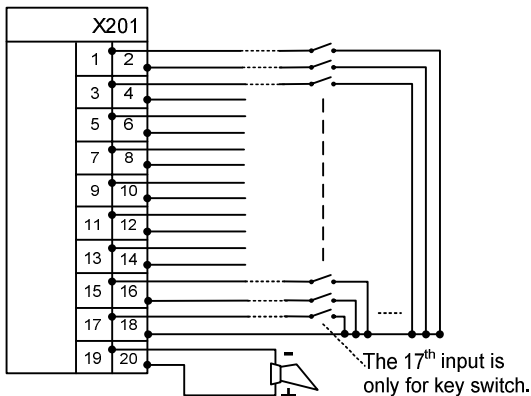
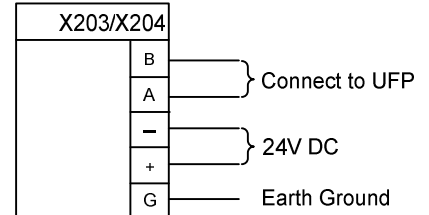
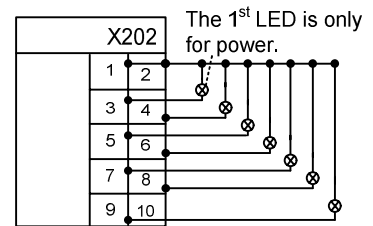
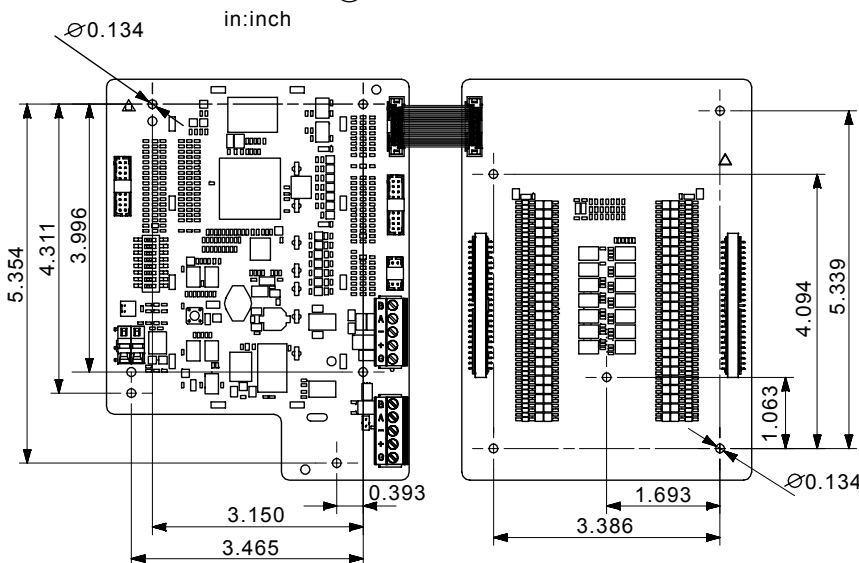


LED annunciator driver FT2007-U1

Installation Instruction



- 1 Connection terminal X201 for 17 inputs
- 2 Dip-switch
- 3 Reserved connection terminal
- 4 Connection terminal for buzzer
- 5 EOL jumper
- 6 Connection terminal X203/X204 for UFP line and power supply
- 7 Connection terminal X301/X501 for 3 x 32 LEDs flat cable
- 8 Connection terminal X202 for 7 LEDs
- 9 Mounting holes (10 pcs.)



- a: red LED, indicates alarm event
- b: yellow LED, indicates non-alarm event
- c: yellow LED, indicates trouble event

- For Canadian applications, the "FT2007-U1" is deemed supplementary and can be used for display only. It must be housed in a ULC-S527 approved, locked, enclosure.
- Not approved for UL/ULC MNS applications.

Intended use

The LED annunciator driver FT2007-U1 for the fire detection system is connected to the RS485 line. It serves for system-wide event signaling and may be installed in an UL certified housing.

This device complies with Part 15 of the FCC Rules. Operation is subject to the following two conditions:
(1) This device may not cause harmful interference.
(2) This device must accept any interference received, including interference that may cause undesired operation.

Package contents

The following are included in the scope of delivery:

- FT2007-U1
- Cable ties (3 pcs)
- EOL jumper connector (1 pcs)
- Buzzer (1 pcs)
- Connection terminals (4 pcs)
- Mounting hardware (10 sets)
- Flat cable clamp with adhesive (2 pcs)
- Cable tie mount (2 pcs)

Safety instructions



Risk of injury to persons and damage to property

Please observe the following safety instructions:

- The devices are only intended for stationary installation in dry rooms.
- The devices may only be connected to the UFP line.
- Static discharge precautions should be taken when handling the FT2007-U1.

Housing

The housing for the FT2007-U1 LED annunciator driver must be provided separately.

- The minimum housing requirement must be UL certified, correspond to protection category IP30, and be made of metal.
- If panel AUX power is not used, an UL listed/recognized for fire use, regulated, power limited 24V DC power supply is required.

Mounting

1. For mounting the FT2007-U1 directly in a housing or mounting on plate, 10 holes of Ø 0.134 inch are provided.
2. Mount the FT2007-U1 using 10 screws.
3. Connect cables and power supply to connection terminal in accordance with the connection diagram.
4. Configure Dip-switch (2) and EOL jumper (5) as needed.

Dip-switch

8-digit Dip-switch is used for setting the FT2007-U1 address and baud rate. The first 1-4 digits are for setting address, the 7-8 digits are for setting UFP communication baud rate. The 5-6 digits are reserved for future use.

Add.	Dip-switch			
	1	2	3	4
1	On	Off	Off	Off
2	Off	On	Off	Off
3	On	On	Off	Off
4	Off	Off	On	Off
5	On	Off	On	Off
6	Off	On	On	Off
7	On	On	On	Off
8	Off	Off	Off	On

Baud Rate	Dip-switch	
	7	8
9600 bps	Off	Off
19200 bps	On	Off
38400 bps	Off	On
57600 bps	On	On

Technical data

Weight	0.357 lb
Dimensions (W x H x D) (in: inch)	(4.528+4.331) x 5.984 x 1.232
Storage temperature	14...+140 °F
Operating temperature	32...+120.2 °F
Humidity	≤93% rel.
Housing (supplied by customer)	IP30
Operating voltage	24V DC Nominal 18.8...27.2V DC
Operating current	25 mA
Activation current	250 mA
Customer supplied flat ribbon cable for switch inputs and LED outputs	28 AWG, 10, 20, and 50 pin, high density, 1.0mm pitch
LED output voltage	3.4V DC, positive (+) common

- When you configure the 7 LEDs, the 1st LED must be the power LED.
- When you configure the 17 inputs, the 17th input must be the key switch for button lockout. When the key switch is not required, input at pin 17 must be shorted to pin 18 to bypass the lockout.

