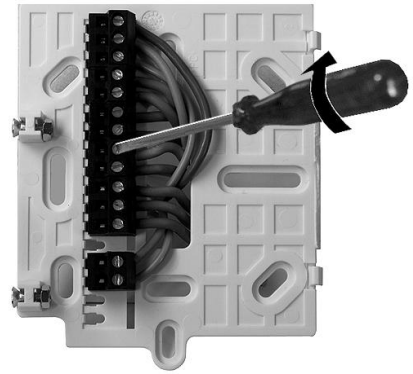
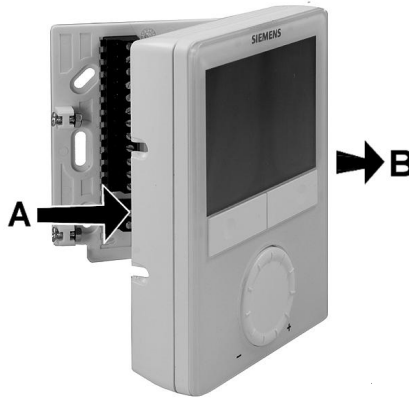
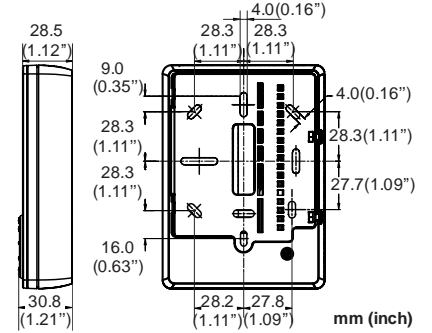
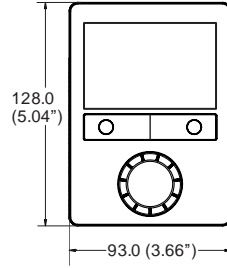
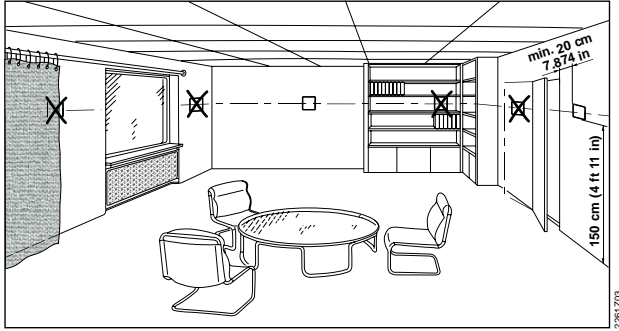
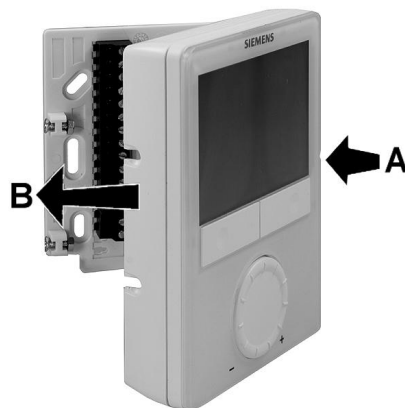
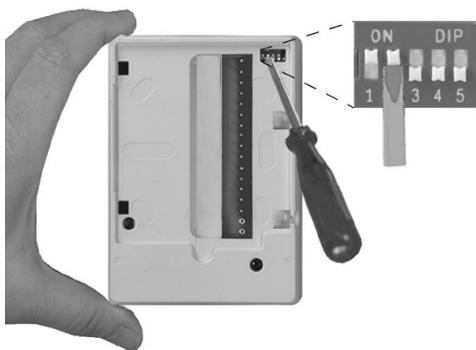
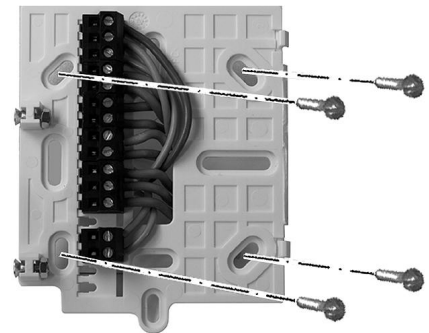
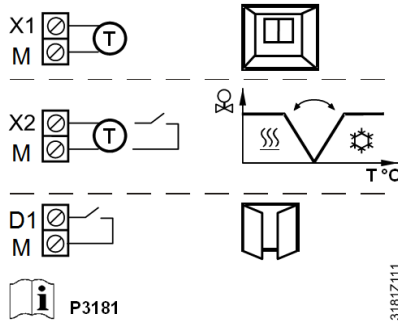


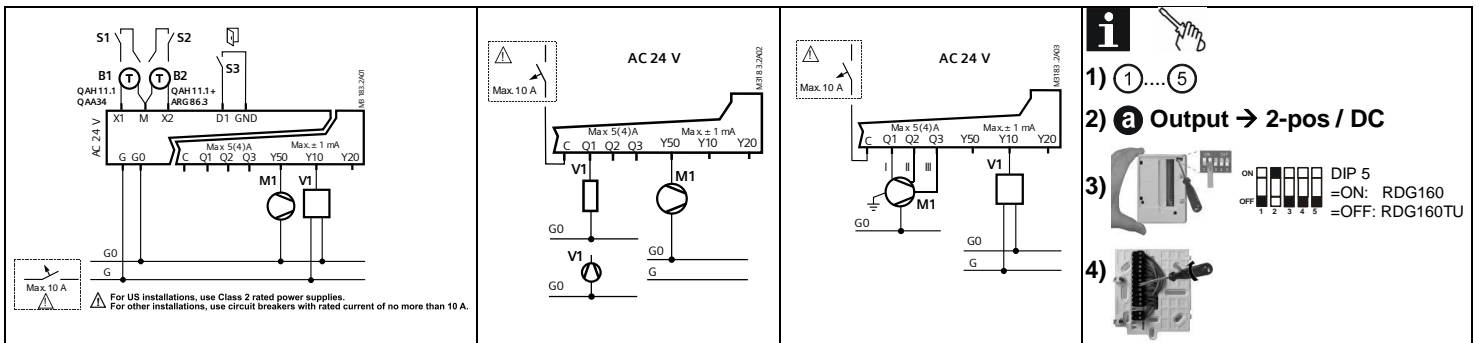
## RDG160TU



3191Z009  
 Max. 1 x 2.5 mm<sup>2</sup> (1 x 14 gauge)  
 Max. 2 x 1.5 mm<sup>2</sup> (2 x 16 gauge)

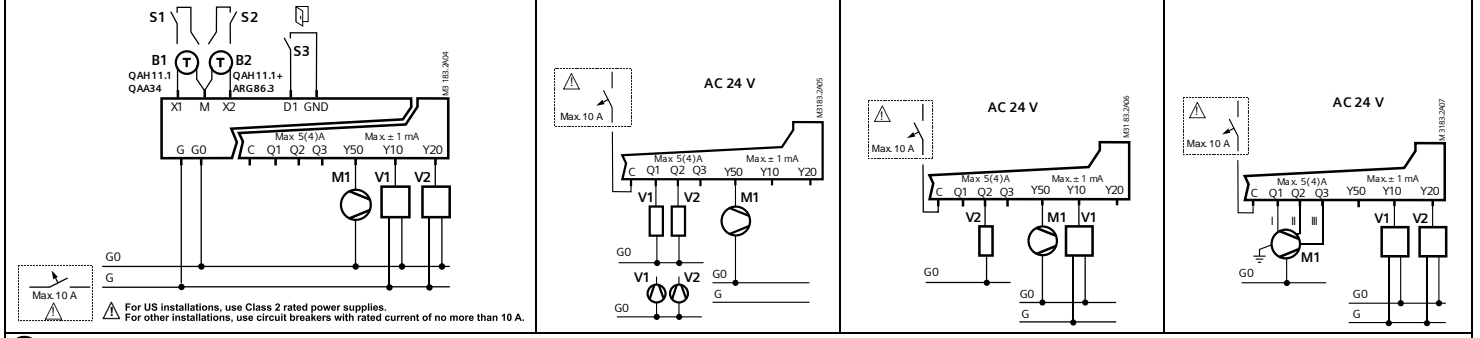
Max. 80 m (262 feet)



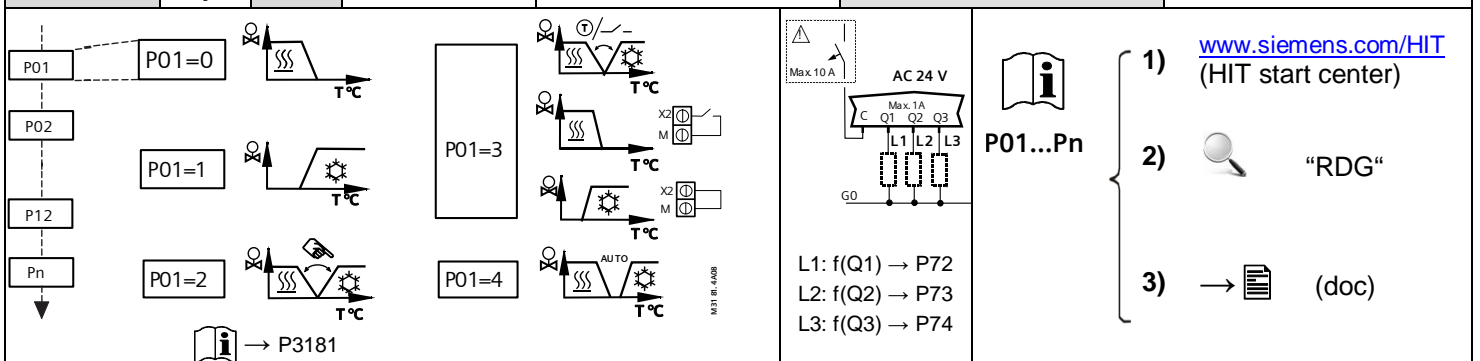


- 1) ①...⑤
- 2) **a** Output → 2-pos / DC
- 3) DIP 5  
=ON: RDG160  
=OFF: RDG160TU
- 4)
- 5) G, G0 / 24 VAC
- 6)
- 7) P01...Pn  
P46 = 1 : V1 → 2-pos  
P46 = 2 : V1 → DC  
P47 = 1 : V2 → 2-pos  
P47 = 2 : V2 → DC

Outputs	DC DC	2-pos DC	3-speed DC
① 2-pipe	V1 Y10	Q1 P46=1 (2-pos)	Y10



Outputs	DC DC DC	2-pos 2-pos DC	2-pos DC DC	3-speed DC DC
② 2-pipe & el. heater	V1 Y10	Q1 Q2	Y10	Y10
③ 2-pipe & radiator	V2 Y20	Q2 P46=1 P47=1	Q2 P46=2 P47=1	Y20
④ 4-pipe	1st 2nd	P46=1 P47=1		
⑤ 2-stage		P46=1 P47=1		



- 1) [www.siemens.com/HIT](http://www.siemens.com/HIT) (HIT start center)
- 2) "RDG"
- 3) (doc)

	en	de	fr	it	es	cs	tr
①	2-pipe fan coil	2-Rohr Ventilator-konvektor	Ventiloconvecteur 2 tubes	Fan coil 2 tubi	Fancoil a dos tubos	2-trubkový fan-coil	2 borulu fan coil
②	2-pipe & el. heater	2-Rohranwendung & Elektroheizung	Application 2 tubes & batterie électrique	Fan coil 2 tubi con batteria elettrica	2 tubos & batería eléctrica	2-trubkový fan-coil & el. ohřev	2 borulu & elk. Isıtıcı
③	2-pipe & radiator	2-Rohranwendung & Radiator	Application 2 tubes & radiateur	Fan coil 2 tubi e radiatore	2 tubos & radiador	2-trubkový fan-coil & radiátor	2 borulu & radyatör
④	4-pipe fan coil	4-Rohr Ventilator-konvektor	Ventiloconvecteur 4 tubes	Fan coil 4 tubi	Fancoil a 4 tubos	4-trubkový fan-coil	4 borulu fan coil
⑤	2-stage	2-Stufen-Anwendung	Application à 2 étages	2 stadi	2 etapas	2-stupňový	2 kademe