



FCM1822-A2 FC186x Terminal Board of Interlocking panel Product Manual

Overview

FCM1822-A2 terminal board of interlocking panel is designed for FC18 series controller, used for easy wiring connection.

Technical Data

Operating temperature	0 ~ +50°C
Storage temperature	-20 ~ +60°C
Humidity	≤95% (40 ± 2°C)
Size	250*50mm

Connection Diagram

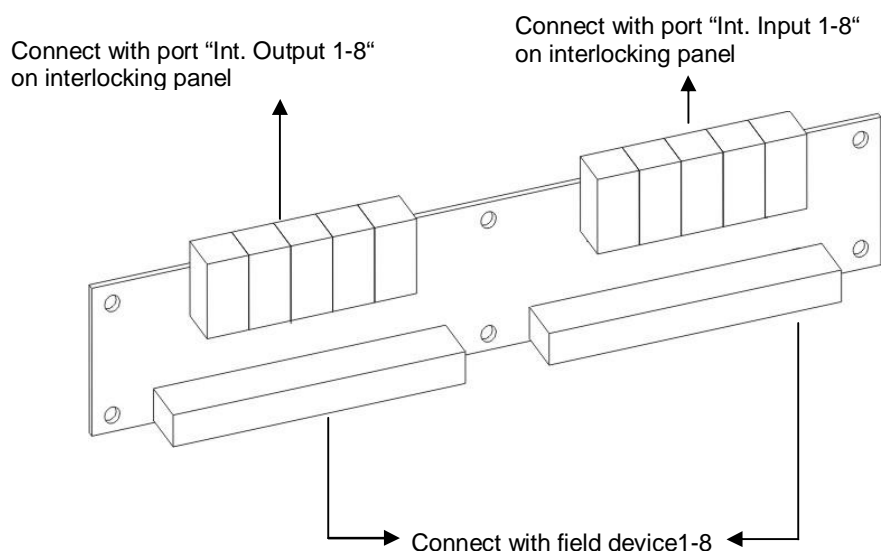


Fig. 1 Terminals on PCB

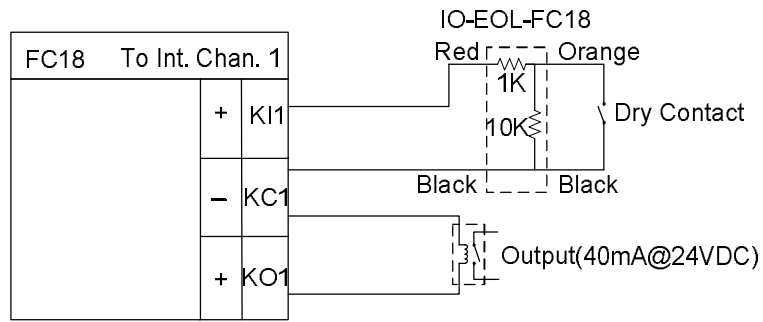


Fig. 2 Field device connection diagram (the same for other channels)

Note: the load range of each output is 24VDC, 600Ω – 1.2kΩ

Order Information

Type	Material No.	Part No.	Description	Weight
FCM1822-A2	S54420-A16-A1	100935678	FC186x terminal board of interlocking panel	0.094Kg