

## FCM1801-A2 FC186x Main Unit Product Manual

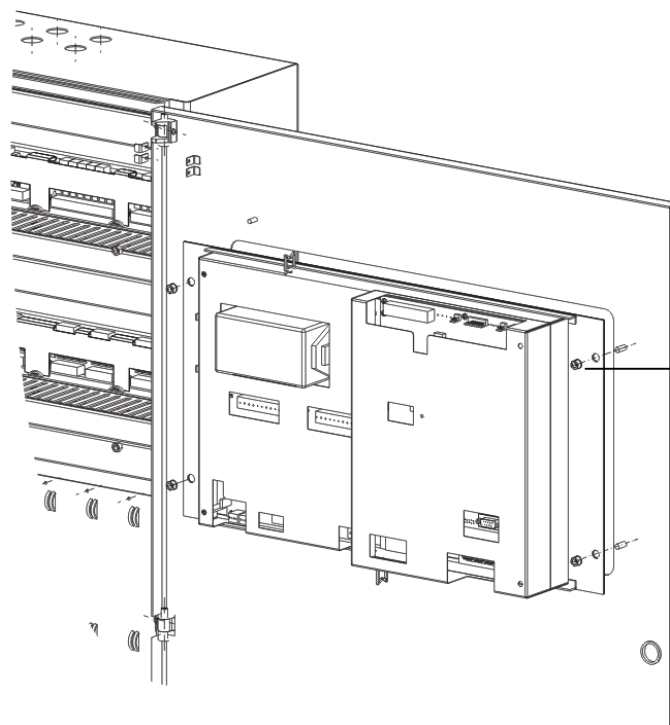
### Overview

---

- FCM1801-A2 main unit is designed for FC18 series controller, used for display and operation of fire alarm and interlocking events.
- It consists of main board, CPU board, 8-channel interlocking panel, printer, LCD, indicators, keyboard and buzzer.

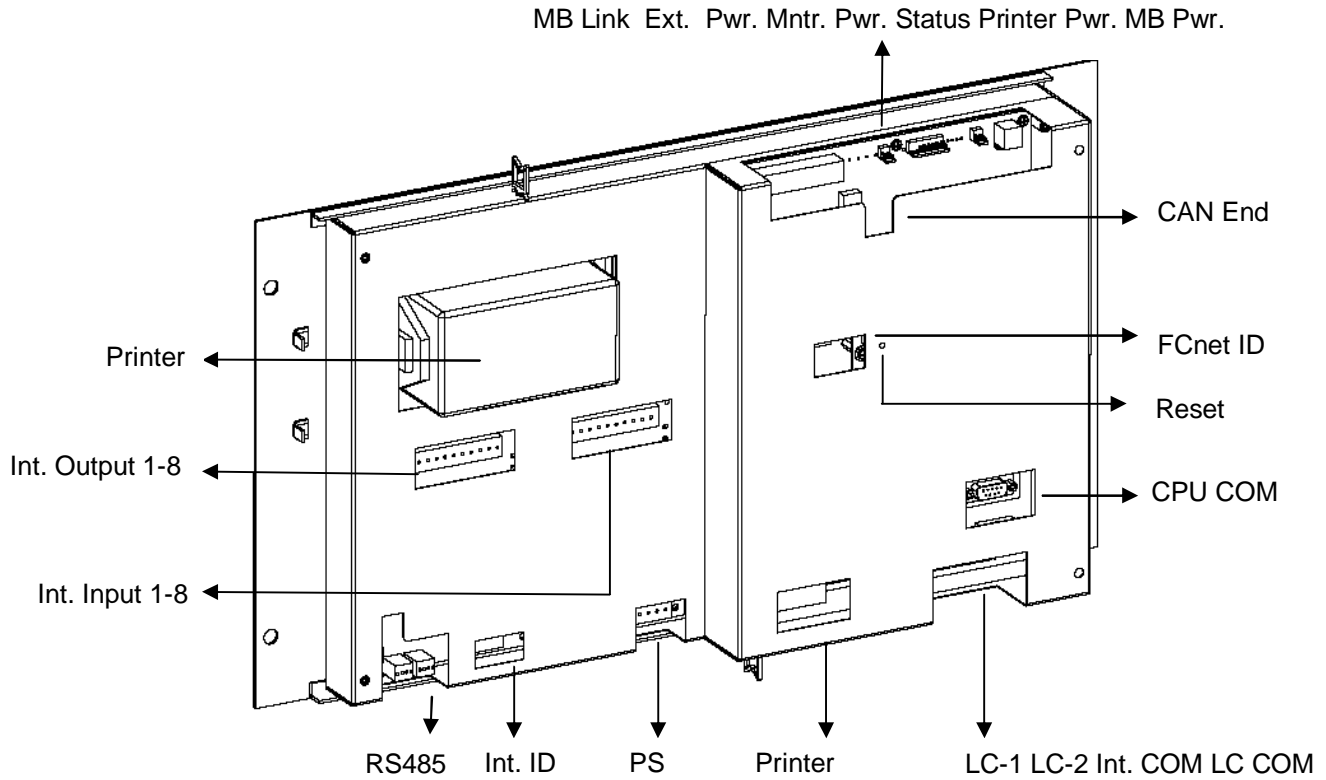
### Installation

---



Screw main unit to the front cover from back using 4 locking washers and hexagonal nuts

## Connection



Sign	Description
MB Link	Connect to "MB Link" port on terminal board of main unit
Ext.	Reserved
Pwr. Mntr.	Connect to "Pwr Monitor" port on terminal board of main unit
Pwr. Status	Connect to "Signal monitor" port on power supply
Printer Pwr.	Connect to printer
MB Pwr.	Connect to "PS" port on main unit
CAN End	Dip-switch, used to set EOL resistor of FC18-BUS/FR18-BUS
FCnet ID	Dip-Switch, used to set FC18-BUS address no.
Reset	Used to reset controller
CPU COM	Connect to special converter module for download/upload software
LC-1/LC-2	Reserved
Int. COM	Connect to port "RS485" on interlocking panel
LC COM	Connect to line card
Printer COM	Connect to printer
PS	Connect to power supply and port "MB Pwr" on main unit
Int. ID	Dip-Switch, used to set interlocking address no.
DL	Used to download/upload interlocking software(internal use only)
RS485	Connect to port "Int.COM" on main unit
Int. Output 1-8	Connect to "Int. Output 1-8" port on terminal board of main board
Int. Input 1-8	Connect to "Int. Input 1-8" port on terminal board of main board
Printer	Connect to printer

## Dip-switch

Fcnet ID: 8-digit dip-switch, used for setting FC18-BUS address 1-16. The 1-5 digit is available, the 6-8 digit must be "Off".

Address	D1	D2	D3	D4	D5
Null	Off	Off	Off	Off	Off
1	On	Off	Off	Off	Off
2	Off	On	Off	Off	Off
3	On	On	Off	Off	Off
4	Off	Off	On	Off	Off
5	On	Off	On	Off	Off
6	Off	On	On	Off	Off
.....					
16	Off	Off	Off	Off	On

Int ID: 8-digit dip-switch, used for setting address of interlocking panel. The address is fixed as 15, the 1-4 digit is "On", the 5-8 digit is "Off".

Address	D1	D2	D3	D4
15	On	On	On	On

CAN end: 2-digit dip-switch, used for connecting EOL resistor of FC18-BUS/FR18-BUS.

Position		Description
1	On	120Ω EOL resistor is connected (only when controller is at the end of FC18-BUS)
	Off	Not connected
2	On	120Ω EOL resistor is connected (only when controller is at the end of FR18-BUS)
	Off	Not connected

## Technical Data

Operating voltage	+24VDC
Quiescent current	4.08A
Max. current	12.15A
Operating temperature	0 ~ +40°C
Storage temperature	-10 ~ +50°C
Humidity	≤95% (40 ± 2°C)
Size	480*266mm(6U)

## Order Information

Type	Material No.	Part No.	Description	Weight
FCM1801-A2	S54420-C11-A1	100935681	FC186x main unit	1.195Kg