

## FP1801-A2 DYF01-B1000 Power Supply Product Manual

### Overview

- Stable and reliable DC output
- Auto switch between main power and battery
- Alternative AC power switch
- Charge and protect battery
- Monitor main power, battery, trouble status
- Auto recoverable current protection circuit for overload and short circuit

### Technical Data

Input voltage	110/220 VAC
Input frequency	60/50 Hz
Output voltage	24 VDC
Output current	10A
AC fuse capacity	110VAC: 6A    220VAC:3A
DC fuse capacity	10A
Operating temperature	0 ~ +40°C when it is over 40°C, output power will reduce half
Storage temperature	-20 ~ +60°C
Humidity	≤95% (40±2°C)
Size	326*130*88 mm

# Installation

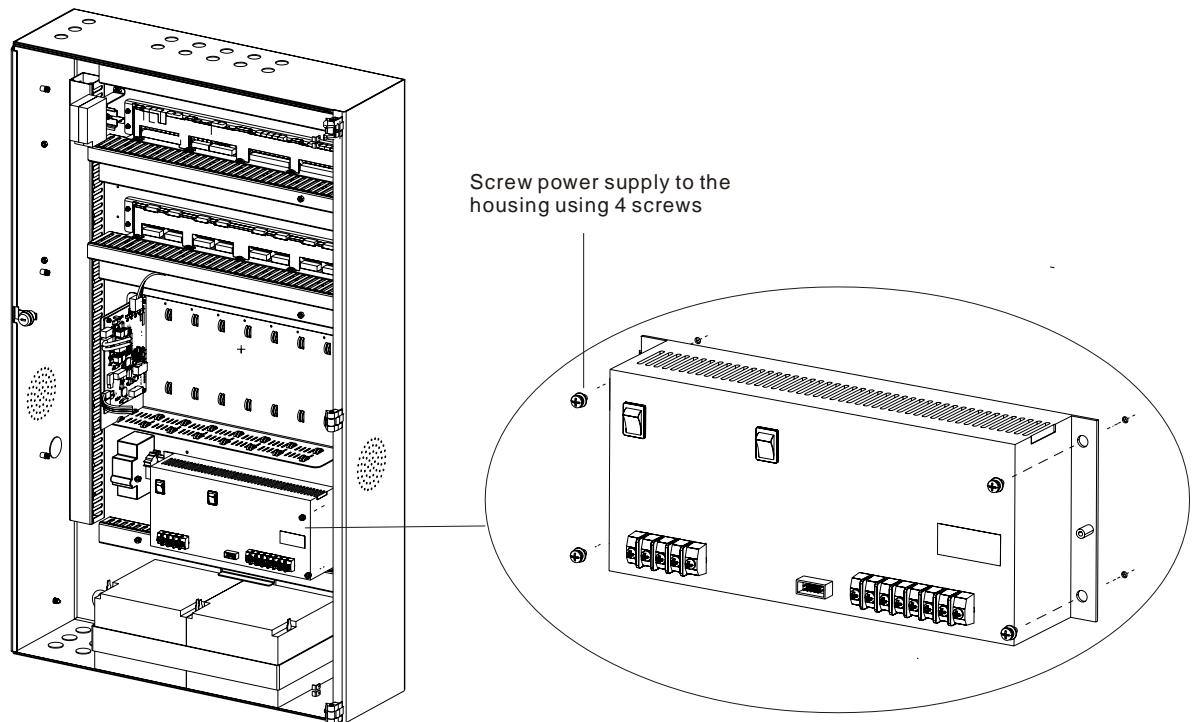


Fig. 1 Installation

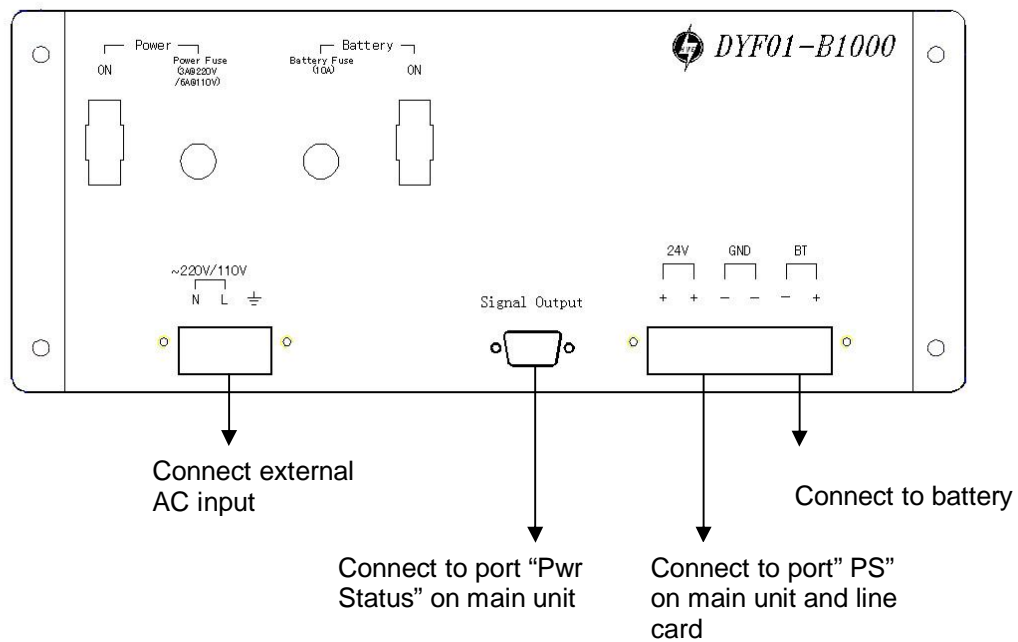


Fig. 2 Connection

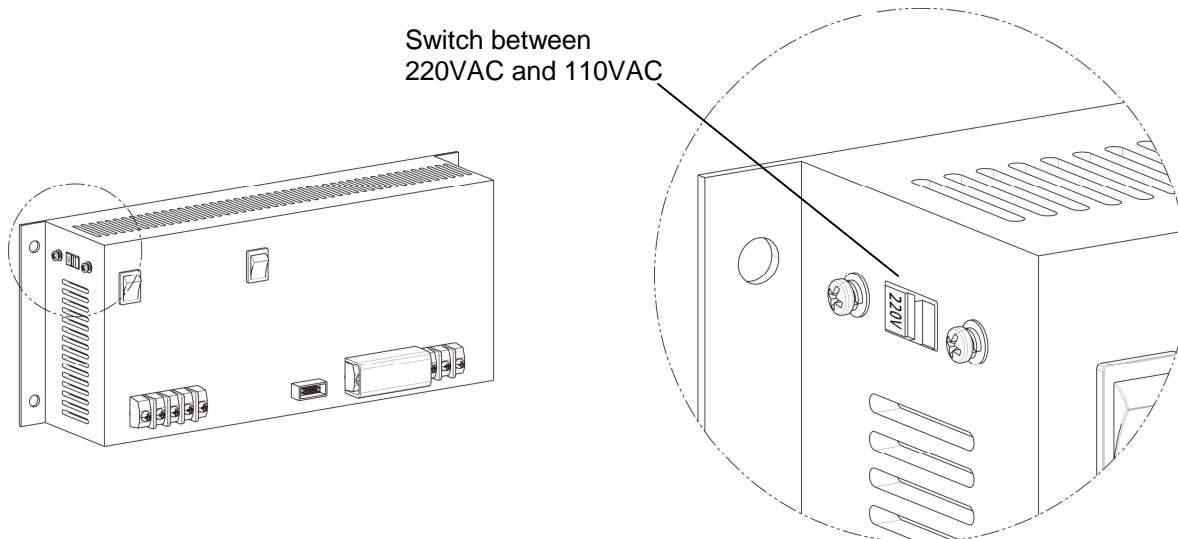
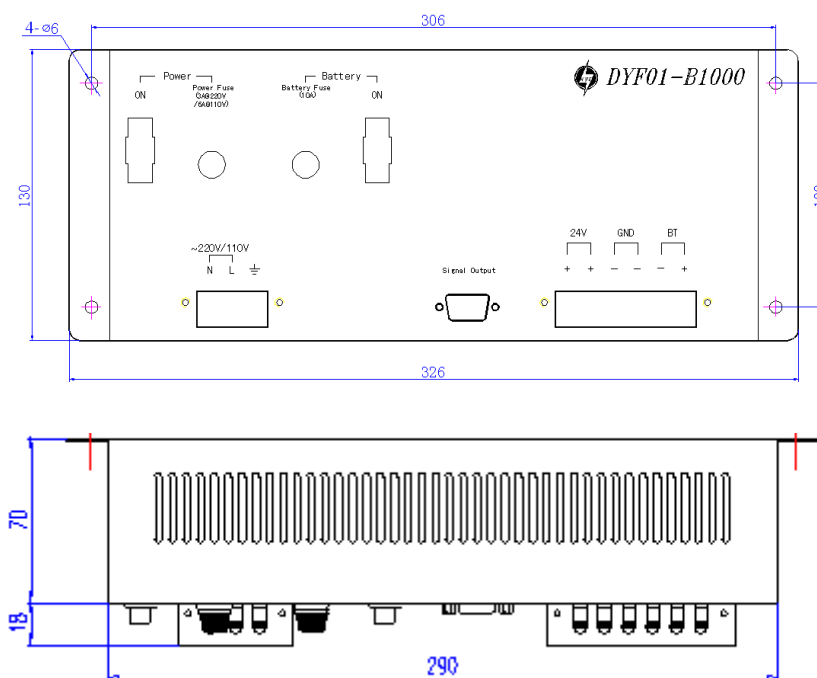


Fig. 3 AC input switch

## Dimension (in:mm)



## Order Information

Type	Material No.	Part No.	Description	Weight
FP1801-A2	S54420-C20-A1	100935680	DYF01-B1000 power supply	2.1Kg

Beijing Siemens Cerberus Electronics Limited  
 No.1,Fengzhidonglu, Xibeiwang, HaiDian District,  
 Beijing, 100094, China  
 Tel: +10 6476 8806  
 Fax: +10 6476 8899

© 2010 Copyright by  
 Beijing Siemens Cerberus Electronics Ltd.  
 Data and design subject to change without notice.