

When replacing any of the below with your Siemens programmer follow the connection details shown below. It will be necessary to replace the baseplate unless indicated.

E	N	L	HW OFF	CH OFF	HW ON	CH ON	
	N	L	1	2	3	4	Siemens, Landis & Staefa, Landis & Gyr RWB2/20/40/200/252/ 270/XP/9
2	1	-	-	6	10		ACL MP
2	1	8	11	6	10		FP
	N	L	HW OFF	CH OFF	HW ON	CH ON	2000
	N	L	-	-	3	4	112
	N	L	1	2	3	4	241/522 722
	N	L	1	2	3	4	DRAYTON TEMPUS 3/4/7
	*N	L	1	2	3	4	GLOWWORM Mastermind
	N	L	-	-	6	3	HONEYWELL ST499A
	N	L	7	4	6	3	ST699B/ST699C
	N	L	1	2	3	4	ST6300A/ST6400C
	N	L	7	4	8	5	ST7100
	N	L	3	6	1	4	HORSTMANN 525/527
	N	L	2	-	3	4	Centaur TC1/TC7
	N	L	3	6	1	4	Diadem/Tiara
2	1	6	9	4	7		Gem
	N	L	-	-	2	4	Diamond 423

E	N	L	HW OFF	CH OFF	HW ON	CH ON	
	N	L	1	2	3	4	Siemens, Landis & Staefa, Landis & Gyr RWB2/20/40/200/252/ 270/XP/9
	N	L	1	2	3	4	POTTERTON 411
	N	L	1	2	3	4	423/424
	*N	L	1	2	3	4	Mini-Minder
	N	L	1	2	3	4	EP2000/3000/2001/ 3001/6000
	5	6	-	-	1	2	DANFOSS RANDALL 102
	7	1	6	-	4	2	3020P
	7	1	6	5	3	4	3033
	7	1	6	-	4	2	3060
	N	L	3	6	1	4	Set2/Set5
	N	L	5	3	4	2	4033
	N	L	4	2	3	1	701/702
	N	L	1	4	3	6	922/972

E	N	L	HW OFF	CH OFF	HW ON	CH ON	
	N	L	1	2	3	4	Siemens, Landis & Staefa, Landis & Gyr RWB2/20/40/200/252/ 270/XP/9
	*N	L	-	-	2	5	SANGAMO 409-1
	3	6	7	4	2	5	409-3
	*N	L	-	-	2	5	409-4
	4	5	3	6	2	7	410-1
	4	5	1	3	6	2	410-2
	4	5	6	1	2	7	410-3
	4	5	3	2	7	1	414
	1	2	8	5	6	3	SUNVIC DHP 2301
	1	2	8	5	7	4	ET1401/1451
	N	L	1	4	3	6	SP2
	N	3	1	4	2	5	SP50
	N	L	1	4	2	5	SP100

•Link old 4+6 in separate terminal block

E	N	L	HW OFF	CH OFF	HW ON	CH ON	
	N	L	1	2	3	4	Siemens, Landis & Staefa, Landis & Gyr RWB2/20/40/200/252/ 270/XP/9
	N	L	-	-	3	2	SMITHS INDUSTRIES Centroller 10/100
	1	2	-	-	4	5	Centroller 60/70/90
	2	3	-	-	4	1	Superswitch
	N	L	-	-	3	1	SWITCHMASTER 320
	N	L	-	-	3	1	350
	N	L	-	-	3	1	400/600
	N	L	4	2	3	1	800/805/900/905/ 9000/9001
	N	L	3	6	1	4	SONATA SYMPHONY 900/9000/9001
	□ N	L	1	2	3	4	Tower DP72
	□ N	L	-	-	2	AS	AMF/VENNER CHC/W2/80
	■ N	L	-	-	2	6	T20/30
	□ N	L	1	4	2	AS	80M/80PM
	□ N	L	-	-	2	AS	80P

□ On Venner units (AS) terminals x2 if both wired one goes to CH ON (4) on RWB2 and you will have to link the remaining (AS) terminal and the wire on terminal 5 together

■ Link 5+4 on old unit together in separate terminal block

*No rewiring necessary fits directly on baseplate

NB When replacing RWB20 by new product a neutral connection to backplate is necessary (please check)

Wiring of this unit should be carried out by a competent electrician.

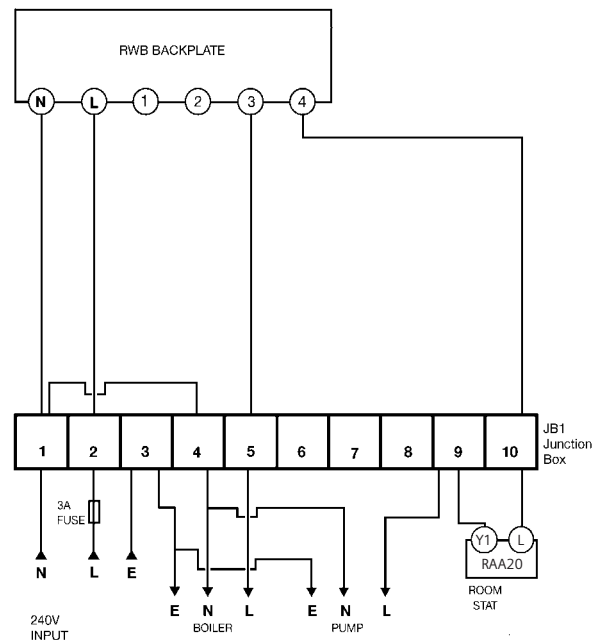
While every effort is made to ensure the accuracy of the instructions given, you will appreciate that discrepancies may occur due any of a variety of reasons outside our control.

If after wiring your system you find that it does not work properly you should:

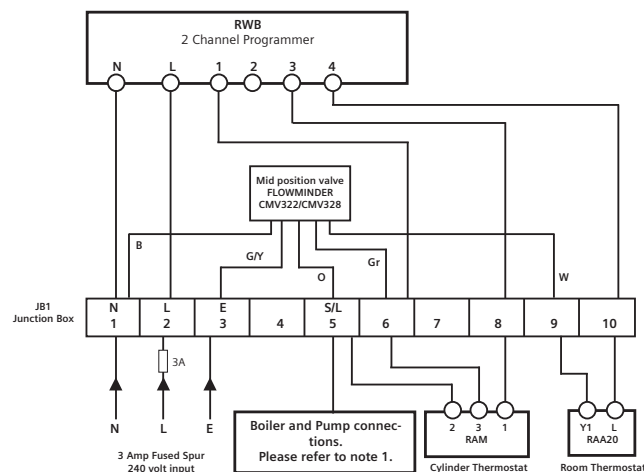
- Check that you have used the correct system and wired it correctly. Ensure that no wiring links have been missed and all screws are tight
- Check with the Siemens helpline on **0870 850 0184**, there may be a simple explanation.

As new equipment is introduced we will try to include it as soon as possible, in the interim the information will be made available on request.

Gravity hot water, pumped central heating system

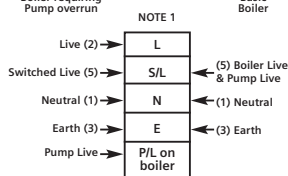


Mid-position fully pumped system for boilers with or without pump overrun



Boiler requiring Pump overrun

Basic Boiler



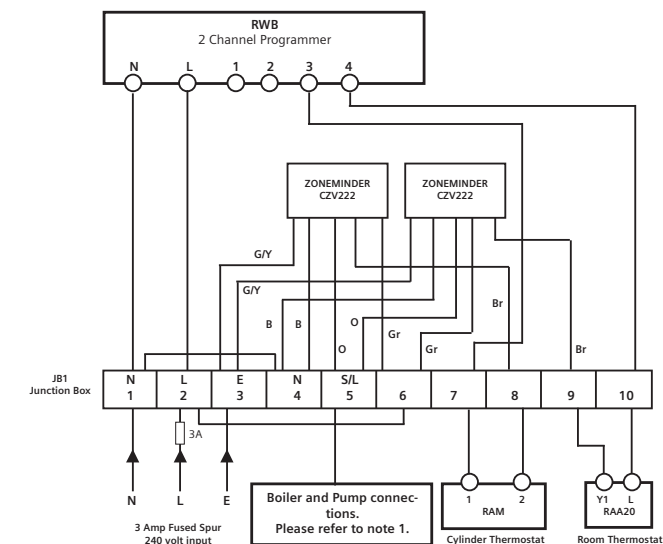
RWB Terminal Configuration

1. Off - Hot Water
2. Off - Central Heating
3. On - Hot Water
4. On - Central Heating

Flowminder Colour Codes

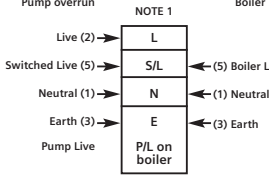
- G/Y = Green/Yellow
- B = Blue
- O = Orange
- Gr = Grey
- W = White

Zone control system for boilers with or without pump overrun



Boiler requiring Pump overrun

Basic Boiler



RWB Terminal Configuration

1. Off - Hot Water
2. Off - Central Heating
3. On - Hot Water
4. On - Central Heating

Zoneminder Colour Codes

- G/Y = Green/Yellow
- B = Blue
- O = Orange
- Gr = Grey
- Br = Brown

Wiring of this unit should be carried out by a competent electrician.

While every effort is made to ensure the accuracy of the instructions given, you will appreciate that discrepancies may occur due any of a variety of reasons outside our control.

If after wiring your system you find that it does not work properly you should:

- Check that you have used the correct system and wired it correctly. Ensure that no wiring links have been missed and all screws are tight
- Check with the Siemens helpline on **0870 850 0184**, there may be a simple explanation.

As new equipment is introduced we will try to include it as soon as possible, in the interim the information will be made available on request.