



VVF42..  
VVF42..K



VXF42..

ACVATIX™

## 2- and 3-port valves with flanged connections, PN 16

**VVF42..  
VVF42..K  
VXF42..**

From the large-stroke valve line


- Performance valves for medium temperatures from -10...150 °C
- Valve body of grey cast iron EN-GJL-250
- DN 15...150
- $k_{vs}$  1.6...400 m<sup>3</sup>/h
- Flange type 21, flange design B
- VVF42..K with pressure compensation to handle high differential pressure
- Equipable with electro-motoric actuators SAX.., SAV.. or electro-hydraulic actuators SKD.., SKB.., SKC..

### Use

In boiler, district heating and refrigeration plants, cooling towers, heating groups, in ventilation and air-handling units as control or shutoff valves.

For use in closed hydraulic circuits (observe cavitation).


## Type summary

Valves	Actuators Stroke Positioning force Data sheet				SAX.. <sup>1)</sup>		SKD..		SKB..		SAV.. <sup>1)</sup>		SKC..		
					20 mm				40 mm						
PN 16					800 N		1000 N		2800 N		1600 N		2800 N		
					N4501		N4561		N4564		N4503		N4566		
-10...150 °C	Stock number	DN	k <sub>vs</sub> [m <sup>3</sup> /h]	S <sub>V</sub>	Δp <sub>s</sub>	Δp <sub>max</sub>	Δp <sub>s</sub>	Δp <sub>max</sub>	Δp <sub>s</sub>	Δp <sub>max</sub>	Δp <sub>s</sub>	Δp <sub>max</sub>	Δp <sub>s</sub>	Δp <sub>max</sub>	
					[kPa]										
VVF42.15-1.6	S55204-V100	15	1.6	> 50	1600	400	1600	400	1600	400	-	-	-	-	
VVF42.15-2.5	S55204-V101	15	2.5												
VVF42.15-4	S55204-V102	15	4												
VVF42.20-6.3	S55204-V103	20	6.3												
VVF42.25-6.3	S55204-V104	25	6.3												
VVF42.25-10	S55204-V105	25	10												
VVF42.32-16	S55204-V106	32	16												
VVF42.40-16	S55204-V107	40	16												
VVF42.40-25	S55204-V108	40	25												
VVF42.50-31.5	S55204-V109	50	31.5												
VVF42.50-40	S55204-V110	50	40	> 100	900	550	300	450	1200	400	1250	750	400	-	-
VVF42.65-50	S55204-V111	65	50												
VVF42.65-63	S55204-V112	65	63												
VVF42.80-80	S55204-V113	80	80												
VVF42.80-100 <sup>2)</sup>	S55204-V114	80	100												
VVF42.100-125	S55204-V115	100	125												
VVF42.100-160 <sup>2)</sup>	S55204-V116	100	160												
VVF42.125-200	S55204-V117	125	200												
VVF42.125-250	S55204-V118	125	250												
VVF42.150-315	S55204-V119	150	315												
VVF42.150-400 <sup>2)</sup>	S55204-V120	150	400												
-5...150 °C															
VVF42.50-40K <sup>3)</sup>	S55204-V121	50	40	> 100	1600	400	1600	400	1600	400	-	-	-	-	
VVF42.65-63K <sup>3)</sup>	S55204-V122	65	63												
VVF42.80-100K <sup>3)</sup>	S55204-V123	80	100												
VVF42.100-160K <sup>3)</sup>	S55204-V124	100	160												
VVF42.125-250K <sup>3)</sup>	S55204-V125	125	250												
VVF42.150-360K	S55204-V126	150	360												
											1600	400	1600	400	
											1400				

<sup>1)</sup> Suitable for medium temperatures up to 130 °C (150 °C with horizontal actuator mounting)

<sup>2)</sup> Valve characteristic for k<sub>vs</sub> value 100 m<sup>3</sup>/h from 70% stroke, k<sub>vs</sub> value 160 m<sup>3</sup>/h from 85% stroke and k<sub>vs</sub> value 400 m<sup>3</sup>/h from 90% stroke is optimized for maximum volumetric flow

<sup>3)</sup> Valve characteristics for pressure compensated valves for k<sub>vs</sub> value 100 m<sup>3</sup>/h from 70% stroke, k<sub>vs</sub> value 40, 160 and 250 m<sup>3</sup>/h from 80% stroke and k<sub>vs</sub> value 63 m<sup>3</sup>/h from 90% stroke is optimized for maximum volumetric flow.

Valves	Actuators				SAX.. <sup>1)</sup>	SKD..	SKB..	SAV.. <sup>1)</sup>	SKC..							
	Stroke				20 mm			40 mm								
PN 16	Positioning force				800 N	1000 N	2800 N	1600 N	2800 N							
	Data sheet				N4501	N4561	N4564	N4503	N4566							
	Stock number	DN	k <sub>vs</sub> [m <sup>3</sup> /h]	S <sub>v</sub>	Δp <sub>max</sub> [kPa]											
-10...150 °C					A → AB B	AB → A B	A → AB B	AB → A B	A → AB B	AB → A B	A → AB B	AB → A B	A → AB B	AB → A B	A → AB B	AB → A B
VXF42.15-1.6	S55204-V127	15	1.6	> 50	400	100	400	100	400	100	400	100	-	-	-	-
VXF42.15-2.5	S55204-V128	15	2.5													
VXF42.15-4	S55204-V129	15	4													
VXF42.20-6.3	S55204-V130	20	6.3													
VXF42.25-6.3	S55204-V131	25	6.3													
VXF42.25-10	S55204-V132	25	10													
VXF42.32-16	S55204-V133	32	16													
VXF42.40-16	S55204-V134	40	16													
VXF42.40-25	S55204-V135	40	25													
VXF42.50-31.5	S55204-V136	50	31.5													
VXF42.50-40	S55204-V137	50	40	> 100	300	50	200	80	400	100	400	100	-	-	-	-
VXF42.65-50	S55204-V138	65	50													
VXF42.65-63	S55204-V139	65	63													
VXF42.80-80	S55204-V140	80	80													
VXF42.80-100 <sup>2)</sup>	S55204-V141	80	100													
VXF42.100-125	S55204-V142	100	125													
VXF42.100-160 <sup>2)</sup>	S55204-V143	100	160													
VXF42.125-200	S55204-V144	125	200													
VXF42.125-250	S55204-V145	125	250													
VXF42.150-315	S55204-V146	150	315													
VXF42.150-400 <sup>2)</sup>	S55204-V147	150	400													

<sup>1)</sup> Suitable for medium temperatures up to 130 °C (150 °C with horizontal actuator mounting)

<sup>2)</sup> Valve characteristic for k<sub>vs</sub> value 100 m<sup>3</sup>/h from 70% stroke, k<sub>vs</sub> value 160 m<sup>3</sup>/h from 85% stroke and k<sub>vs</sub> value 400 m<sup>3</sup>/h from 90% stroke is optimized for maximum volumetric flow

DN = Nominal size

k<sub>vs</sub> = Flow nominal value of cold water (5...30 °C) through the fully opened valve (H<sub>100</sub>) at a differential pressure of 100 kPa (1 bar)

S<sub>v</sub> = Rangeability

Δp<sub>s</sub> = Maximum permissible differential pressure at which the motorized valve still closes securely against the pressure

Δp<sub>max</sub> = Maximum permissible differential pressure across the valve's throughport for the entire positioning range of the motorized valve

## Ordering

### Example

Product number	Stock number	Description
VXF42.65-63	S55204-V139	3-port valve with flange, PN 16
SKD32.50	SKD32.50	Electro-hydraulic actuator

Delivery

Valves, actuators and accessories are packed and delivered as separate items.

Note

Counter-flanges, bolts and gaskets must be provided on site.

Spare parts, Rev.-No.

See page 14

## Equipment combinations

Product number	Description	Stroke	Positioning force	Operating voltage	Positioning signal	Spring return time	Positioning time	LED	Manual adjuster	Auxiliary functions							
SAX31.00	S55150-A105	20 mm	800 N	AC 230 V	3-position	-	120 s	-	Press and fix	1) , 2) , 5) , , ,							
SAX31.03	S55150-A106						30 s	✓									
SAX61.03	S55150-A100			AC 24 V DC 24 V	DC 0...10 V DC 4...20 mA 0...1000 Ω		3-position	120 s			-	-					
SAX61.03U	S55150-A100-A100							30 s									
SAX81.00	S55150-A102			3-position	-		-	120 s			-	-					
SAX81.03	S55150-A103							30 s									
SAX81.03U	S55150-A103-A100																
SKD32.21	SKD32.21	20 mm	1000 N	AC 230 V	3-position	8 s	Opening: 30 s Closing: 10 s	-	Turn, Position is maintained	1) , 2) , 5) , 7) , , ,							
SKD32.50	SKD32.50					-	120 s										
SKD32.51	SKD32.51					8 s											
SKD60	SKD60			AC 24 V	DC 0...10 V DC 4...20 mA 0...1000 Ω	-	Opening: 30 s Closing: 15 s	✓	Turn, Position is maintained	1) , 5) , 7) , , ,							
SKD60U	SKD60U					15 s											
SKD62	SKD62					3-position					-	120 s	-	-			
SKD62U	SKD62U																
SKD62UA	SKD62UA									1) , 4) , 5) , 7) , , ,							
SKD82.50	SKD82.50			3-position	-	-	120 s	-	-	1) , 2) , 5) , 7) , , ,							
SKD82.50U	SKD82.50U																
SKD82.51	SKD82.51																
SKD82.51U	SKD82.51U				8 s												
SKB32.50	SKB32.50	20 mm	2800 N	AC 230 V	3-position	-	120 s	-	Turn, Position is maintained	1) , 2) , 5) , 7) , , ,							
SKB32.51	SKB32.51					10 s											
SKB60	SKB60			AC 24 V	DC 0...10 V DC 4...20 mA 0...1000 Ω	-	Opening: 120 s Closing: 10 s	✓			Turn, Position is maintained	1) , 5) , 7) , , ,					
SKB62	SKB62					10 s											
SKB62U	SKB62U																
SKB62UA	SKB62UA																
SKB82.50	SKB82.50			3-position	-	-	120 s	-			-	1) , 2) , 5) , 7) , , ,					
SKB82.50U	SKB82.50U																
SKB82.51	SKB82.51																
SKB82.51U	SKB82.51U				10 s												
SAV31.00	S55150-A112	40 mm	1600 N	AC 230 V	3-position	-	120 s	-	Press and fix	1) , 2) , 5) , , ,							
SAV61.00	S55150-A110			AC 24 V DC 24 V	DC 0...10 V DC 4...20 mA 0...1000 Ω			3-position			-	-	✓				
SAV61.00U	S55150-A110-A100																
SAV81.00	S55150-A111	3-position	-	-	-	-	-	1) , 2) , 5) , , ,									
SAV81.00U	S55150-A111-A100																
SKC32.60	SKC32.60	40 mm	2800 N	AC 230 V	3-position	-	120 s	-	Turn, Position is maintained	1) , 2) , 5) , , ,							
SKC32.61	SKC32.61					18 s											
SKC60	SKC60					-											
SKC62	SKC62			AC 24 V	DC 0...10 V DC 4...20 mA 0...1000 Ω	20 s	Opening: 120 s Closing: 20 s	✓			Turn, Position is maintained	1) , 5) , , ,					
SKC62U	SKC62U																
SKC62UA	SKC62UA																
SKC82.60	SKC82.60			3-position	-	-	120 s	-			-	1) , 2) , 5) , , ,					
SKC82.60U	SKC82.60U																
SKC82.61	SKC82.61																
SKC82.61U	SKC82.61U				18 s												

- 1) Auxiliary switch (optional)
- 2) Potentiometer (optional)
- 3) Position feedback, forced control, selection of valve characteristic
- 4) Direction of operation, stroke limit control, sequence control, signal addition (optional)
- 5) Stem heating element (optional)
- 6) Function module (optional)
- 7) Mechanical stroke inverter (optional)

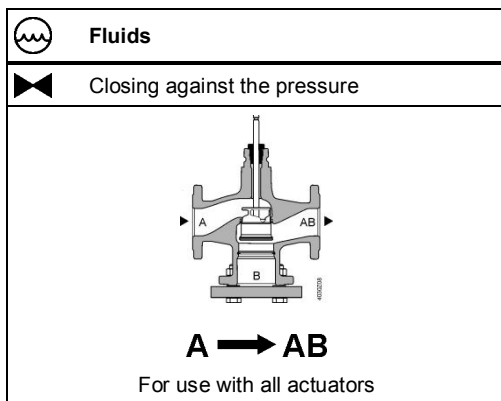
**Product documentation**

- Mounting Instructions M4030 74 319 0749 0
- Basic documentation P4030 Contains background information and technical basic knowledge of valves

**Technical and mechanical design**

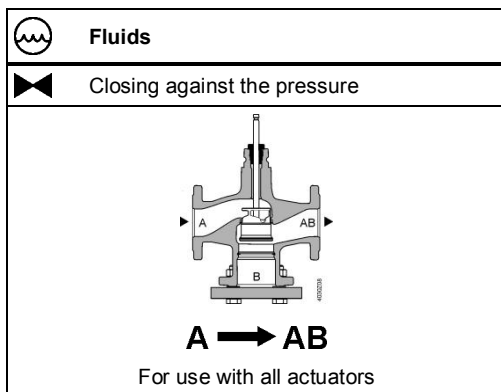
The illustrations below show the basic design of the valves. Constructional features, such as the shape of plugs, may differ.

**2-port valves**



**2-port valves pressure compensated**

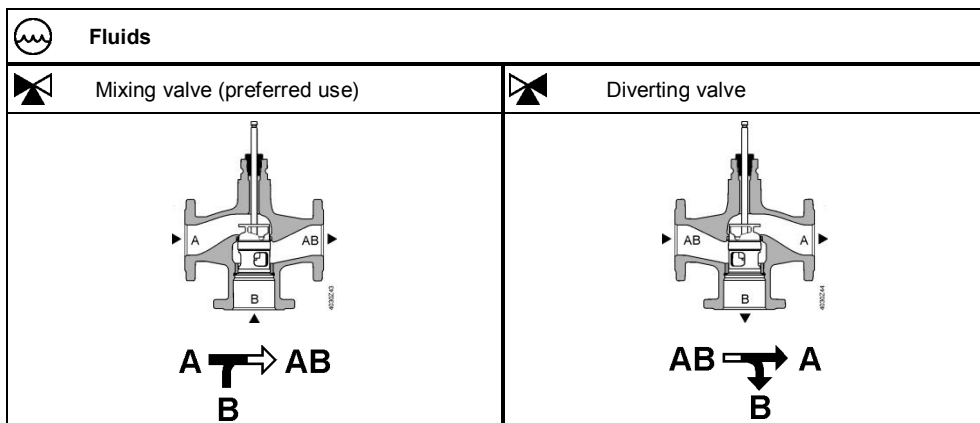
The VVF42..K valves use a pressure-compensated plug. This enables the same type of actuators to be used for the control of volumetric flow at higher differential pressures.




Note

**2-port valves do not become 3-port valves by removing the blank flange!**

**3-port valves**

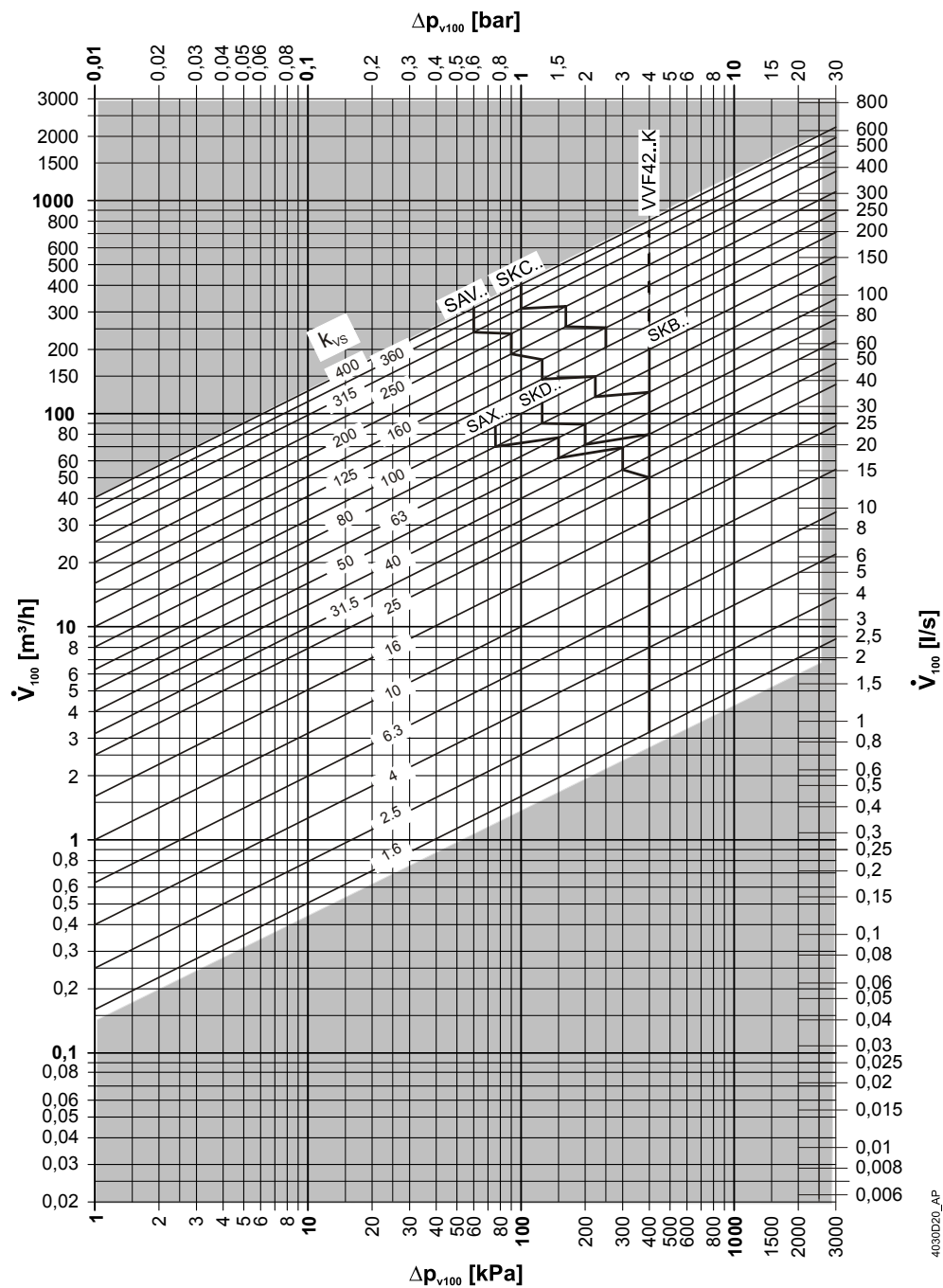


## Accessories

Product number	Stock number	Description	Note	Example
ASZ6.6	S55845-Z108	Stem heating element	Required for medium temperatures < 0 °C	

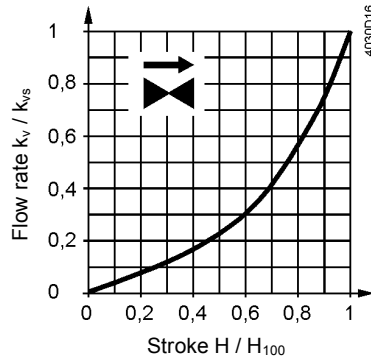
## Sizing

### Flow chart



$\Delta p_{\text{max}}$  values apply for the mixing function.  $\Delta p_{\text{max}}$  values for the diverting function see table „Type summary“, page 2

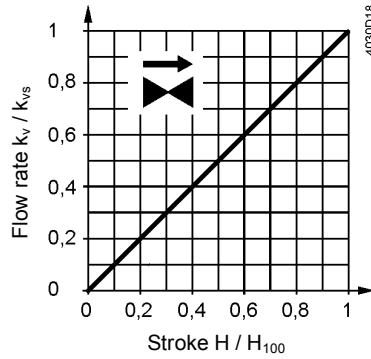
**Valve characteristics  
2-port valves**



0...30%: Linear  
30...100%: Equal percentage  
 $n_{gl} = 3$  to VDI / VDE 2173

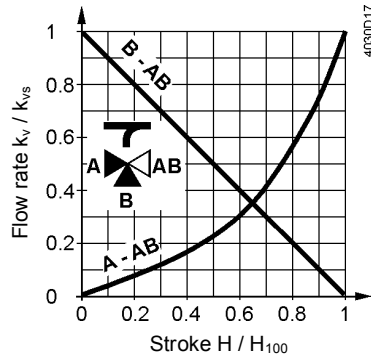
For high  $k_{vs}$  values the valve characteristic is optimized for maximum volumetric flow  $k_{V100}$ .

For product lines:  
VVF42.125-250  
VVF42.125-250K  
VVF42.150-400  
VVF42.150-360K



0...100%: Linear

**3-port valves**



**Throughport A-AB**

0...30%: Linear  
30...100%: Equal percentage  
 $n_{gl} = 3$  to VDI / VDE 2173

For high  $k_{vs}$  values the valve characteristic is optimized for maximum volumetric flow  $k_{V100}$ .

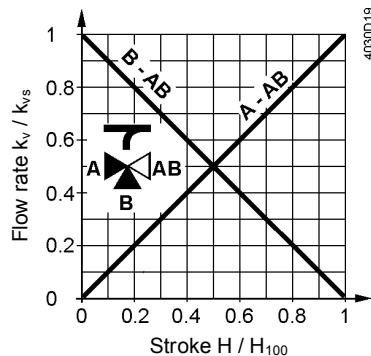
**Bypass B-AB**

0...100%: Linear

Tor AB = constant flow  
Tor A = variable flow  
Tor B = bypass (variable flow)

**Mixing:** Flow from port A and port B to port AB  
**Diverting:** Flow from port AB to port A and port B

For product lines:  
VXF42.125-250  
VXF42.150-400



**Throughport A-AB**

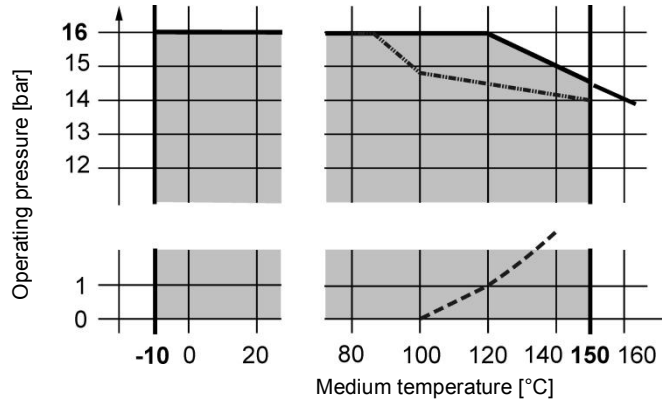
0...100%: Linear

**Bypass B-AB**

0...100%: Linear

**Operating pressure and medium temperature**

**Fluids, PN16 with V..F42..**



- Curve for saturated steam; steam forms below this line
- .. Operating pressure according to EN 1092, valid for 2-port valves with blank flange

**Operating pressure and operating temperatures according to ISO 7005, EN 1092 and EN 12284**

Notes

All relevant local directives must be observed

**Medium compatibility and temperature ranges**

Medium	Temperature range		Valve			Note
	T <sub>min</sub> [°C]	T <sub>max</sub> [°C]	VVF42..	VVF42..K	VXF42..	
Cold water	1	25	■	■	■	-
Low-temperature hot water	1	130	■	■	■	-
High-temperature hot water <sup>1)</sup>	130	150	■	■	■	-
	150	180	-	-	-	-
Water with antifreeze	-5	150	■	■	■	For medium temperatures below 0 °C, the stem heating ASZ6.6 has to be installed.
	-10	150	■	- <sup>3)</sup>	■	
	-20	150	-	-	-	
Cooling water <sup>2)</sup>	1	25	-	-	-	-
Brines	-5	150	■	■	■	For medium temperatures below 0 °C, the stem heating ASZ6.6 has to be installed.
	-10	150	■	- <sup>3)</sup>	■	
	-20	150	-	-	-	
Super-clean water (demineralized and deionized water)	1	150	-	-	-	-
Demineralized water according to VDI2035 / SWKI BT102-01	1	150	■	■	■	-

- <sup>1)</sup> Differentiation due to saturated steam curve
- <sup>2)</sup> Open circuits
- <sup>3)</sup> VVF42..K can't be used with media below -5 °C due to the compensation sealing material

**Fields of use**

Fields of use		Valves		
		VVF42..	VVF42..K	VXF42..
<b>Generation</b>	Boiler plants	■	■	■
	District heating plants	■	■	-
	Refrigeration plants	■	■	■
<b>Distribution</b>	Heating groups	■	■	■
	Ventilation and air-handling units	■	■	■



## Engineering notes

Mounting location	Preferably mount the valves at the return, as the temperature is lower there and the strain on the stem sealing gland is lower.
Dirt trap	Mount a dirt filter or dirt trap before the valve to ensure proper functioning, and a long service life of the valve. Remove dirt, welding beads, etc. from the valves and pipes.
Cavitation	Cavitation can be avoided by limiting the pressure differential across the valve depending on the medium temperature and prepressure.

## Mounting notes

Monting position	<b>Indoors</b>	<b>Outdoors</b>

Mounting positions apply to both 2- and 3-port valves.

## Commissioning notes



**The valve may be put into operation only if actuator and valve are correctly assembled.**

Note

Ensure that actuator stem and valve stem are rigidly connected in all positions.

## Function check

Valve	Throughport A→AB	Bypass B→AB
Valve stem extends	Closes	Opens
Valve stem retracts	Opens	Closes

## Maintenance notes

The valves are maintenance-free.



When servicing valves or actuators:

- Deactivate the pump and turn off the power supply
- Close the shutoff valves
- Fully reduce the pressure in the piping system and allow pipes to completely cool down

If necessary, disconnect the electrical wires.

Due to the different types of material used, the valve must be disassembled prior to disposal. Special handling of certain valve components may be required by law or may be sensible from an ecological point of view.

**Local and currently valid legislation must be observed.**

## Disposal



## Warranty

---

Application-related technical data are guaranteed only when the valves are used in connection with the Siemens actuators listed under "Equipment combinations", page 4.

When used with actuators of other manufacture, any warranty by Siemens becomes void.

## Technical data

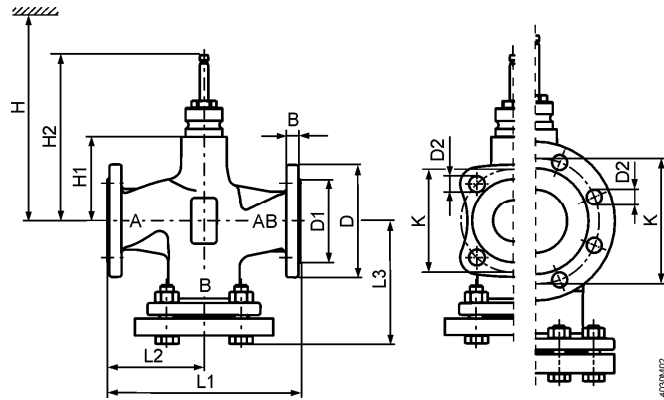
Functional data	PN class	PN 16	
	Connection	Flange	
	Operating pressure	See Section "Operating pressure and medium temperature", page 8	
	Valve characteristics <sup>1)</sup>	See section "Valve characteristics", page 7	
	Leakage rate	Throughport	0...0.02% of $k_{vs}$ value
		Bypass	0.5...2% of $k_{vs}$ value ( $k_{vs} \geq 6.3$ ) 0.5...3% of $k_{vs}$ value ( $k_{vs} 1.6; 2.5; 4$ )
	Permissible media	See table "Medium compatibility and temperature ranges", page 8	
	Medium temperature		-10...150 °C
			VVF42..K: -5...150 °C
	Rangeability	To DN 25: > 50 From DN 32: >100	
	Nominal stroke	To DN 80: 20 mm From DN 100: 40 mm	
Materials	Valve body	EN-GJL-250	
	Blank flange	VVF.. S235JRG2	
	Valve stem	Stainless steel	
	Seat	Machined	
	Plug	Brass/ Bronze	
	Stem sealing gland	Brass EPDM O-rings PTFE sleeve silicon-free	
	Compensation sealing	Stainless steel FEPM (silicone-free)	
Standards	Pressure Equipment Directive	PED 97/23/EC	
	Pressure-carrying accessories	According to article 1, section 2.1.4	
	Fluid group 2	PN 16	
	Without CE certification as per article 3, section 3 (sound engineering practice)		≤DN 50
		Category I, with CE certification	DN 65...125
	Category II, with CE certification, notified body identification number 0036	DN 150	
	PN class	ISO 7268	
	Operating pressure	ISO 7005, DIN EN 12284	
	Flanges	ISO 7005	
	Length of flanged valves	DIN EN 558-1, line 1	
	Valve characteristic	VDI 2173	
	Leakage rate	Throughport, bypass according to EN 60534-4 / EN 1349	
	Water treatment	VDI 2035	

Environmental conditions		
Storage: IEC 60721-3-1	Class	1K3
	Temperature	-15...+55 °C
	Rel. humidity	5...95% r.h.
Transport: IEC 60721-3-2	Class	2K3, 2M2
	Temperature	-30...+65 °C
	Rel. humidity	< 95% r.h.
Operation: IEC 60721-3-3	Class	3K5, 3Z11
	Temperature	-15...+55 °C
	Rel. humidity	5...95% r.h.
Environmental compatibility	ISO 14001 (environment) ISO 9001 (quality) SN 36350 (environmentally compatible products) RL 2002/95/EG (RoHS)	
Dimensions / Weight	Dimensions	See "Dimensions", page 13
	Weight	See "Dimensions", page 13

<sup>1)</sup> For certain valve lines and high  $k_{vs}$  values, the valve characteristic is optimized for maximum volumetric flow  $k_{V100}$ .

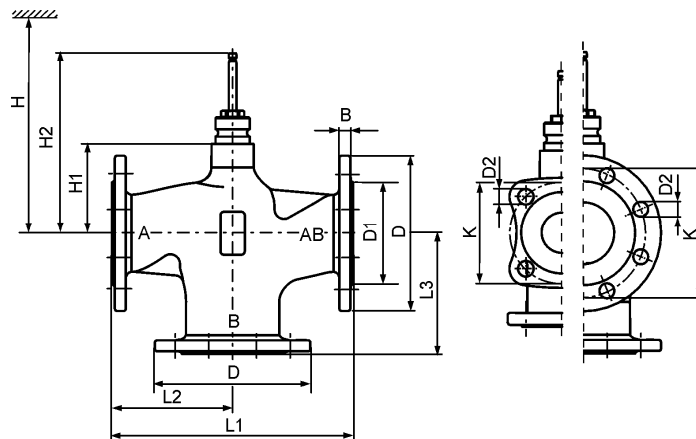
## Dimensions

### VVF42.. VVF42..K



Product number	DN	kg	B	Ø D	Ø D1	Ø D2	L1	L2	L3	Ø K	H1	H2	H				
													SAX..	SKD..	SKB..	SAV..	SKC..
VVF42..	15	3.7	14	95	46	14 (4x)	130	65	86	65	37	133.5	479	537	612	-	-
	20	4.7	16	105	56	14 (4x)	150	75	97	75	37	133.5	479	537	612	-	-
	25	5.4	15	115	65	14 (4x)	160	80	106.5	85	37	133.5	479	537	612	-	-
	32	8.4	17	140	76	19 (4x)	180	90	119	100	37	133.5	479	537	612	-	-
	40	9.3	16	150	84	19 (4x)	200	100	126	110	37	133.5	479	537	612	502	-
	50	12.2	16	165	99	19 (4x)	230	115	144	125	50	146.5	492	550	625	525	-
	65	17	17	185	118	19 (4x)	290	145	174	145	75	171.5	517	575	650	540	-
	80	25	17	200	132	19 (8x)	310	155	186	160	75	171.5	517	575	650	540	-
	100	35.7	17	220	156	19 (8x)	350	175	205	180	110	226.5	-	-	-	575	685
125	52.5	17	250	184	19 (8x)	400	200	233	210	123	239.5	-	-	-	588	698	
150	74.3	17	284	211	23 (8x)	480	240	275.5	240	150.5	267	-	-	-	616	726	
VVF42..K	50	12	16	165	99	19 (4x)	230	115	144	125	50	146.5	492	550	625	-	-
	65	17.5	17	185	118	19 (4x)	290	145	174	145	75	171.5	517	575	650	-	-
	80	27	17	200	132	19 (8x)	310	155	186	160	75	171.5	517	575	650	-	-
	100	35.9	17	220	156	19 (8x)	350	175	206	180	110	226.5	-	-	-	575	685
	125	52.3	17	250	184	19 (8x)	400	200	233	210	123	239.5	-	-	-	588	698
150	76.3	17	284	211	23 (8x)	480	240	275.5	240	150.5	267	-	-	-	616	726	


### VXF42..



Product number	DN	kg	B	Ø D	Ø D1	Ø D2	L1	L2	L3	Ø K	H1	H2	H				
													SAX..	SKD..	SKB..	SAV..	SKC..
VXF42..	15	2.6	14	95	46	14 (4x)	130	65	65	65	37	133.5	479	537	612	-	-
	20	3.3	16	105	56	14 (4x)	150	75	75	75	37	133.5	479	537	612	-	-
	25	3.8	15	115	65	14 (4x)	160	80	80	85	37	133.5	479	537	612	-	-
	32	5.7	17	140	76	19 (4x)	180	90	90	100	37	133.5	479	537	612	-	-
	40	6.3	16	150	84	19 (4x)	200	100	100	110	37	133.5	479	537	612	502	-
	50	8.7	16	165	99	19 (4x)	230	115	115	125	50	146.5	492	550	625	525	-
	65	12.9	17	185	118	19 (4x)	290	145	145	145	75	171.5	517	575	650	540	-
	80	19.2	17	200	132	19 (8x)	310	155	155	160	75	171.5	517	575	650	540	-
	100	28.8	17	220	156	19 (8x)	350	175	175	180	110	226.5	-	-	-	575	685
	125	43.2	17	250	184	19 (8x)	400	200	200	210	123	239.5	-	-	-	588	698
	150	61.5	17	284	211	23 (8x)	480	240	240	240	150.5	267	-	-	-	616	726

## Spare parts

### Stem sealing gland

Product number	DN	Stock number	Comments	
VVF42.. VXF42..	DN 15...150	4 284 8806 0		

### Revision numbers

VVF..  
VXF..

Product number	Valid from rev. no.	Product number	Valid from rev. no.
VVF42.15-1.6	..A	VXF42.15-1.6	..A
VVF42.15-2.5	..A	VXF42.15-2.5	..A
VVF42.15-4	..A	VXF42.15-4	..A
VVF42.20-6.3	..A	VXF42.20-6.3	..A
VVF42.25-6.3	..A	VXF42.25-6.3	..A
VVF42.25-10	..A	VXF42.25-10	..A
VVF42.32-16	..A	VXF42.32-16	..A
VVF42.40-16	..A	VXF42.40-16	..A
VVF42.40-25	..A	VXF42.40-25	..A
VVF42.50-31.5	..A	VXF42.50-31.5	..A
VVF42.50-40	..A	VXF42.50-40	..A
VVF42.65-50	..A	VXF42.65-50	..A
VVF42.65-63	..A	VXF42.65-63	..A
VVF42.80-80	..A	VXF42.80-80	..A
VVF42.80-100	..A	VXF42.80-100	..A
VVF42.100-125	..A	VXF42.100-125	..A
VVF42.100-160	..A	VXF42.100-160	..A
VVF42.125-200	..A	VXF42.125-200	..A
VVF42.125-250	..A	VXF42.125-250	..A
VVF42.150-300	..A	VXF42.150-300	..A
VVF42.150-400	..A	VXF42.150-400	..A
VVF42.50-40K	..A		
VVF42.65-63K	..A		
VVF42.80-100K	..A		
VVF42.100-160K	..A		
VVF42.125-250K	..A		
VVF42.150-360K	..A		