



VVF32..



VXF32..

ACVATIX™

2- and 3-port valves with flanged connections, PN 10

VVF32..
VXF32..


From the large-stroke valve line

- Performance valves for medium temperatures from -10...150 °C
- Valve body of grey cast iron EN-GJL-250
- DN 15...150
- k_{vs} 1.6...400 m³/h
- Flange type 21, flange design B
- Equipable with electro-motoric actuators SAX.., SAV.. or electro-hydraulic actuators SKD.., SKB.., SKC..

Use


In boiler, district heating and refrigeration plants, heating groups, ventilation and air-handling units as control or shutoff valves.
For use in closed circuits.

Type summary

Valves	Actuators				SAX.. ¹⁾		SKD.. 20 mm		SKB..		SAV.. ¹⁾ 40 mm		SKC..	
	Stroke				800 N		1000 N		2800 N		1600 N		2800 N	
PN 10	Positioning force				N4501		N4561		N4564		N4503		N4566	
	Data sheet				[kPa]									
 -10...150 °C	Stock number	DN	k _{vs} [m ³ /h]	S _V	Δp _s	Δp _{max}	Δp _s	Δp _{max}	Δp _s	Δp _{max}	Δp _s	Δp _{max}	Δp _s	Δp _{max}
VVF32.15-1.6	S55202-V100	15	1.6	>50	1000	400	1000	400	1000	400	-	-	-	-
VVF32.15-2.5	S55202-V101	15	2.5											
VVF32.15-4	S55202-V102	15	4											
VVF32.25-6.3	S55202-V103	25	6.3											
VVF32.25-10	S55202-V104	25	10	>100	550	300	450	200	700	400	1000	400	-	-
VVF32.40-16	S55202-V105	40	16											
VVF32.40-25	S55202-V106	40	25											
VVF32.50-40	S55202-V107	50	40											
VVF32.65-63	S55202-V108	65	63											
VVF32.80-100 ²⁾	S55202-V109	80	100											
VVF32.100-160 ²⁾	S55202-V110	100	160											
VVF32.125-250	S55202-V111	125	250											
VVF32.150-400 ²⁾	S55202-V112	150	400	-	-	-	-	-	-	160	125	300	250	
											125	90	190	160
											80	60	125	100

¹⁾ Suitable for medium temperatures up to 130 °C

²⁾ Valve characteristic for k_{vs} value 100 m³/h from 70% stroke, k_{vs} value 160 m³/h from 85% stroke and k_{vs} value 400 m³/h from 90% stroke is optimized for maximum volumetric flow

Valves	Actuators				SAX.. ¹⁾		SKD.. 20 mm		SKB..		SAV.. ¹⁾ 40 mm		SKC..	
	Stroke				800 N		1000 N		2800 N		1600 N		2800 N	
PN 10	Positioning force				N4501		N4561		N4564		N4503		N4566	
	Data sheet				Δp _{max} [kPa]									
 -10...150 °C	Stock number	DN	k _{vs} [m ³ /h]	S _V	A → AB, AB → A, A → AB, AB → A, A → AB, AB → A, A → AB, AB → A, A → AB, AB → A									
VXF32.15-1.6	S55202-V113	15	1.6	>50	400	100	400	100	400	100	-	-	-	-
VXF32.15-2.5	S55202-V114	15	2.5											
VXF32.15-4	S55202-V115	15	4											
VXF32.25-6.3	S55202-V116	25	6.3											
VXF32.25-10	S55202-V117	25	10	>100	300	50	200	80	400	100	400	100	-	-
VXF32.40-16	S55202-V118	40	16											
VXF32.40-25	S55202-V119	40	25											
VXF32.50-40	S55202-V120	50	40											
VXF32.65-63	S55202-V121	65	63											
VXF32.80-100 ²⁾	S55202-V122	80	100											
VXF32.100-160 ²⁾	S55202-V123	100	160											
VXF32.125-250	S55202-V124	125	250											
VXF32.150-400 ²⁾	S55202-V125	150	400								125	90	160	100
											60	100	100	50

¹⁾ Suitable for medium temperatures up to 130 °C

²⁾ Valve characteristic for k_{vs} value 100 m³/h from 70% stroke, k_{vs} value 160 m³/h from 85% stroke and k_{vs} value 400 m³/h from 90% stroke is optimized for maximum volumetric flow

DN = Nominal size

k_{vs} = Flow nominal value of cold water (5...30 °C) through the fully opened valve (H₁₀₀) at a differential pressure of 100 kPa (1 bar)

S_V = Rangeability

Δp_s = Maximum permissible differential pressure at which the motorized valve still closes securely against the pressure

Δp_{max} = Maximum permissible differential pressure across the valve's throughport for the entire positioning range of the motorized valve

Ordering

Example

Product number	Stock number	Description
VXF32.15-1.6	S55202-V113	3-port valve with flange, PN 10
SKD32.50	SKD32.50	Electro-hydraulic actuator

Delivery

Valves, actuators and accessories are packed and delivered as separate items.

Note

Counter-flanges, bolts and gaskets must be provided on site.

Spare parts, Rev.-No.

See page 12.

Equipment combinations

Product number	Description	Stroke	Positioning force	Operating voltage	Positioning signal	Spring return time	Positioning time	LED	Manual adjuster	Auxiliary functions			
SAX31.00	S55150-A105	20 mm	800 N	AC 230 V	3-position	-	120 s	-	Press and fix	1) 2) 5)			
SAX31.03	S55150-A106						30 s				✓	1) 3) 5) 6)	
SAX61.03	S55150-A100			AC 24 V DC 24 V	DC 0...10 V DC 4...20 mA 0...1000 Ω		120 s	-		1) 2) 5)			
SAX61.03U	S55150-A100-A100						30 s						
SAX81.00	S55150-A102			AC 230 V	3-position		8 s	-		Opening: 30 s Closing: 10 s	-	Turn, Position is maintained	1) 2) 5) 7)
SAX81.03	S55150-A103						-						
SAX81.03U	S55150-A103-A100	8 s	120 s	8 s	120 s	1) 2) 5) 7)							
SKD32.21	SKD32.21	20 mm	1000 N	AC 230 V	3-position	-	Opening: 30 s Closing: 10 s	-	1) 2) 5) 7)				
SKD32.50	SKD32.50					-				120 s			
SKD32.51	SKD32.51			8 s	120 s	8 s	120 s	1) 5) 7)					
SKD60	SKD60			AC 24 V	DC 0...10 V DC 4...20 mA 0...1000 Ω	-	Opening: 30 s Closing: 15 s	✓	1) 5) 7)				
SKD60U	SKD60U					15 s							
SKD62	SKD62			AC 24 V	DC 0...10 V DC 4...20 mA 0...1000 Ω	-	Opening: 30 s Closing: 15 s	✓	1) 5) 7)				
SKD62U	SKD62U					15 s							
SKD62UA	SKD62UA			3-position	-	120 s	-	1) 2) 5) 7)					
SKD82.50	SKD82.50			20 mm	2800 N	AC 230 V	3-position	-	120 s	-	Turn, Position is maintained	1) 2) 5) 7)	
SKD82.50U	SKD82.50U							10 s					
SKD82.51	SKD82.51	AC 24 V	DC 0...10 V DC 4...20 mA 0...1000 Ω			-	Opening: 120 s Closing: 10 s	✓	1) 5) 7)				
SKD82.51U	SKD82.51U					10 s							
SKB32.50	SKB32.50	AC 24 V	DC 0...10 V DC 4...20 mA 0...1000 Ω			-	Opening: 120 s Closing: 10 s	✓	1) 5) 7)				
SKB32.51	SKB32.51					10 s							
SKB60	SKB60	3-position	-	120 s	-	1) 2) 5) 7)							
SKB62	SKB62	AC 24 V	DC 0...10 V DC 4...20 mA 0...1000 Ω	-	Opening: 120 s Closing: 10 s	✓	1) 5) 7)						
SKB62U	SKB62U			10 s									
SKB62UA	SKB62UA	3-position	-	120 s	-	1) 2) 5) 7)							
SKB82.50	SKB82.50	40 mm	1600 N	AC 230 V	3-position	-	120 s	-	Press and fix	1) 2) 5)			
SKB82.50U	SKB82.50U					10 s							
SKB82.51	SKB82.51			AC 24 V DC 24 V	DC 0...10 V DC 4...20 mA 0...1000 Ω	-	120 s	✓		1) 3) 5) 6)			
SKB82.51U	SKB82.51U					3-position					-		
SAV31.00	S55150-A112			AC 230 V	3-position	-	120 s	-		1) 2) 5)			
SAV61.00	S55150-A110					-							
SAV61.00U	S55150-A110-A100	AC 24 V DC 24 V	DC 0...10 V DC 4...20 mA 0...1000 Ω	-	120 s	✓	1) 3) 5) 6)						
SAV81.00	S55150-A111	AC 24 V DC 24 V	DC 0...10 V DC 4...20 mA 0...1000 Ω	-	120 s	-	1) 2) 5)						
SAV81.00U	S55150-A111-A100			3-position				-					
SKC32.60	SKC32.60	40 mm	2800 N	AC 230 V	3-position	-	120 s	-	Turn, Position is maintained	1) 2) 5)			
SKC32.61	SKC32.61					18 s							
SKC60	SKC60			AC 24 V	DC 0...10 V DC 4...20 mA 0...1000 Ω	-	Opening: 120 s Closing: 20 s	✓		1) 5)			
SKC62	SKC62					20 s							
SKC62U	SKC62U			3-position	-	120 s	-	1) 4) 5)					
SKC82.60	SKC82.60			AC 24 V	DC 0...10 V DC 4...20 mA 0...1000 Ω	-	Opening: 120 s Closing: 20 s	✓		1) 5)			
SKC82.60U	SKC82.60U					20 s							
SKC82.61	SKC82.61	3-position	-	120 s	-	1) 2) 5)							
SKC82.61U	SKC82.61U	18 s	-	120 s	-	1) 2) 5)							

- 1) Auxiliary switch (optional)
- 2) Potentiometer (optional)
- 3) Position feedback, forced control, selection of valve characteristic
- 4) Direction of operation, stroke limit control, sequence control, signal addition (optional)
- 5) Stem heating element (optional)
- 6) Function module (optional)
- 7) Mechanical stroke inverter (optional)

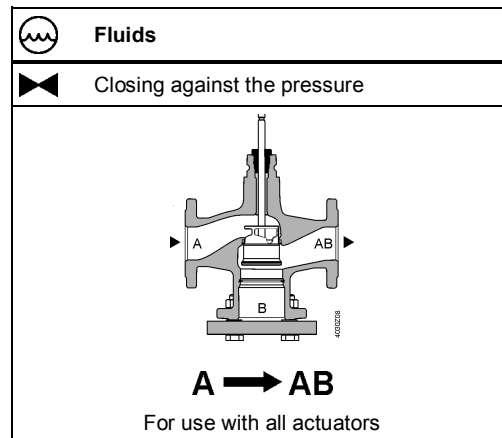
Product documentation

- Mounting Instructions M4030 74 319 0749 0
- Basic documentation P4030 Contains background information and technical basic knowledge of valves

Technical and mechanical design

The illustrations below show the basic design of the valves. Constructional features, such as the shape of plugs, may differ.

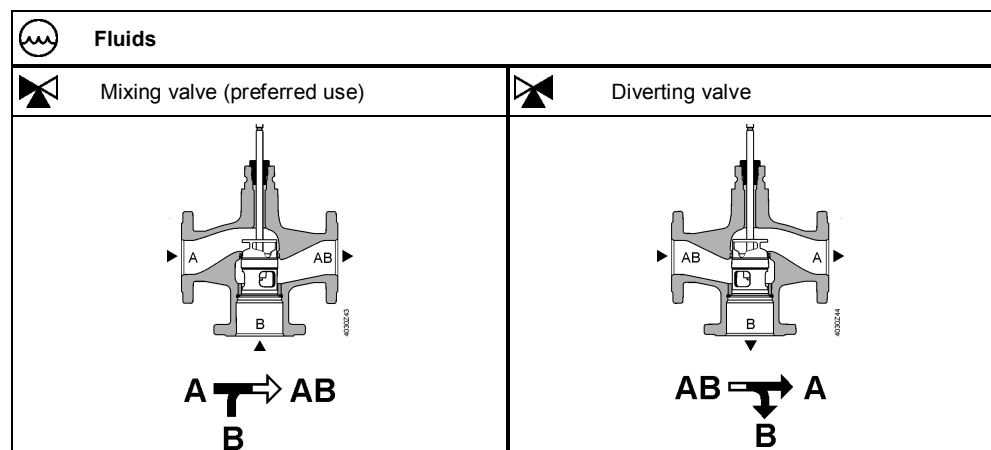
2-port valves




Note

2-port valves do not become 3-port valves by removing the blank flange!

3-port valves

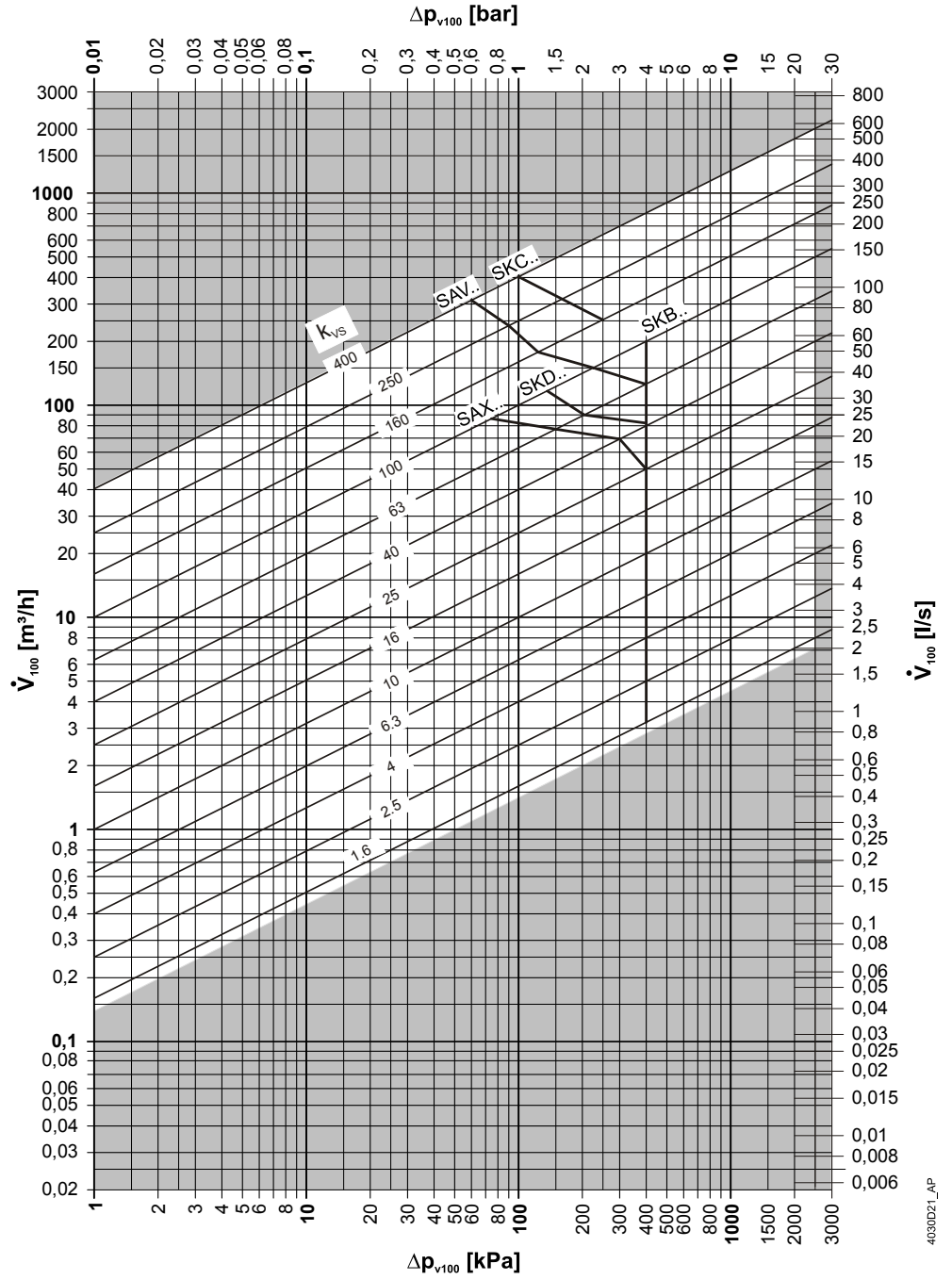


Accessories

Product number	Stock number	Description	Note	Example
ASZ6.6	S55845-Z108	Stem heating element	Required for medium temperatures < 0 °C	

Sizing

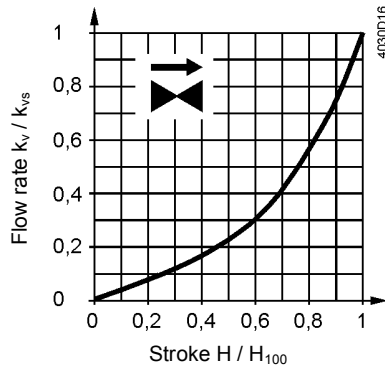
Flow chart



Δp_{max} values apply for the mixing function. Δp_{max} values for the diverting function see table „Type summary“, page 2

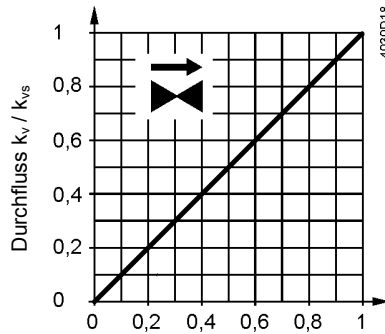
4030021_AP

Valve characteristics
2-port valves



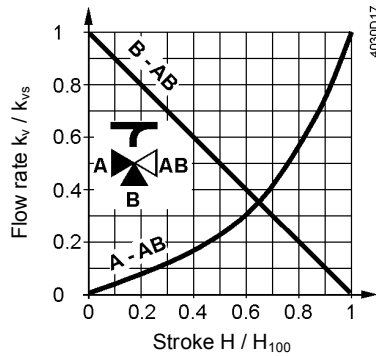
0...30%: Linear
30...100%: Equal percentage
 $n_{gl} = 3$ to VDI / VDE 2173
For high k_{vs} values the valve characteristic is optimized for maximum volumetric flow k_{V100} .

For product lines:
VVF32.125-250
VVF32.150-400



0...100%: Linear

3-port valves



Throughport A-AB

0...30%: Linear
30...100%: Equal percentage
 $n_{gl} = 3$ to VDI / VDE 2173
For high k_{vs} values the valve characteristic is optimized for maximum volumetric flow k_{V100} .

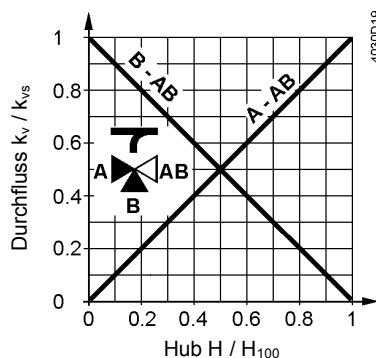
Bypass B-AB

0...100%: Linear
Tor AB = constant flow
Tor A = variable flow
Tor B = bypass (variable flow)

Mixing: Flow from port A and port B to port AB

Diverting: Flow from port AB to port A and port B

For product lines:
VXF32.125-250
VXF32.150-400



Throughport A-AB

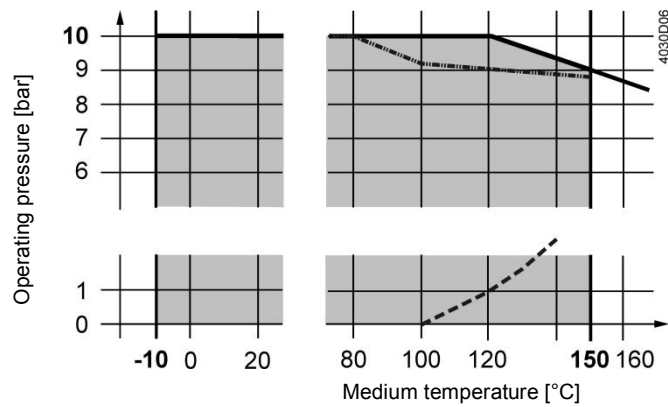
0...100%: Linear

Bypass B-AB

0...100%: Linear

Operating pressure and medium temperature

Fluids, PN10 with V..F32..



- Curve for saturated steam; steam forms below this line
- Operating pressure according to EN 1092, valid for 2-port valves with blank flange

Operating pressure and operating temperatures according to ISO 7005, EN 1092 and EN 12284

Notes

All relevant local directives must be observed

Medium compatibility and temperature ranges

Medium	Temperature range		Valve V..F32..	Note
	T _{min} [°C]	T _{max} [°C]		
Cold water	1	25	■	-
Low-temperature hot water	1	130	■	-
High-temperature hot water ¹⁾	130	150	■	-
Water with antifreeze	-5	150	■	For medium temperatures below 0 °C, the stem heating ASZ6.6 has to be installed.
	-10	150	■	
	-20	150	-	
Brines	-5	150	■	For medium temperatures below 0 °C, the stem heating ASZ6.6 has to be installed.
	-10	150	■	
	-20	150	-	
Demineralized water according to VDI2035 / SWKI_BT102-01	1	150	■	

¹⁾ Differentiation due to saturated steam curve

Fields of use

Fields of use		Valves	
		VVF32..	VXF32..
Generation	Boiler plants	■	■
	District heating plants	■	-
	Refrigeration plants	■	■
Distribution	Heating groups	■	■
	Ventilation and air-handling units	■	■

Engineering notes

Mounting location

Preferably mount the valves at the return, as the temperature is lower there and the stem sealing gland is less strained.

Dirt trap

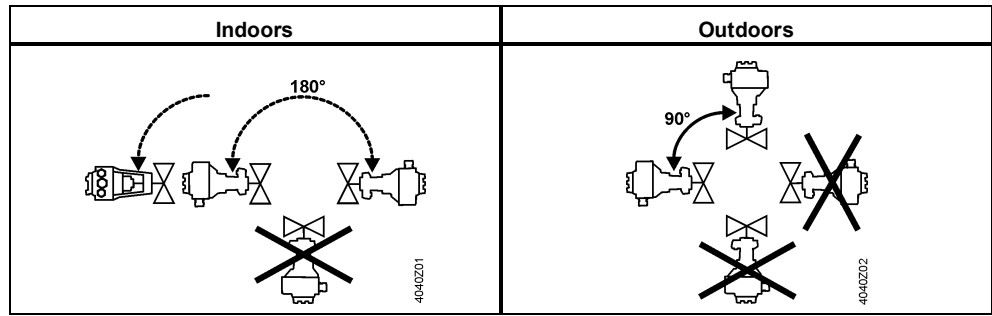
Mount a dirt filter or dirt trap before the valve to ensure proper functioning, and a long service life of the valve. Remove dirt, welding beads, etc. from the valves and pipes.

Cavitation

Cavitation can be avoided by limiting the pressure differential across the valve depending on the medium temperature and prepressure.

Mounting notes

Mounting position



Mounting positions apply to both 2- and 3-port valves.

Commissioning notes



The valve may be put into operation only if actuator and valve are correctly assembled.

Note

Ensure that actuator stem and valve stem are rigidly connected in all positions.

Function check

Valve	Throughport A→AB	Bypass B→AB
Valve stem extends	Closes	Opens
Valve stem retracts	Opens	Closes

Maintenance notes

The valves are maintenance-free.



When servicing valves or actuators:

- Deactivate the pump and turn off the power supply
- Close the shutoff valves
- Fully reduce the pressure in the piping system and allow pipes to completely cool down

If necessary, disconnect the electrical wires.

Due to the different types of material used, the valve must be disassembled prior to disposal. Special handling of certain valve components may be required by law or may be sensible from an ecological point of view.

Local and currently valid legislation must be observed.

Disposal



Warranty

Application-related technical data are guaranteed only when the valves are used in connection with the Siemens actuators listed under "Equipment combinations", page 3.

When used with actuators of other manufacture, any warranty by Siemens becomes void.

Technical data

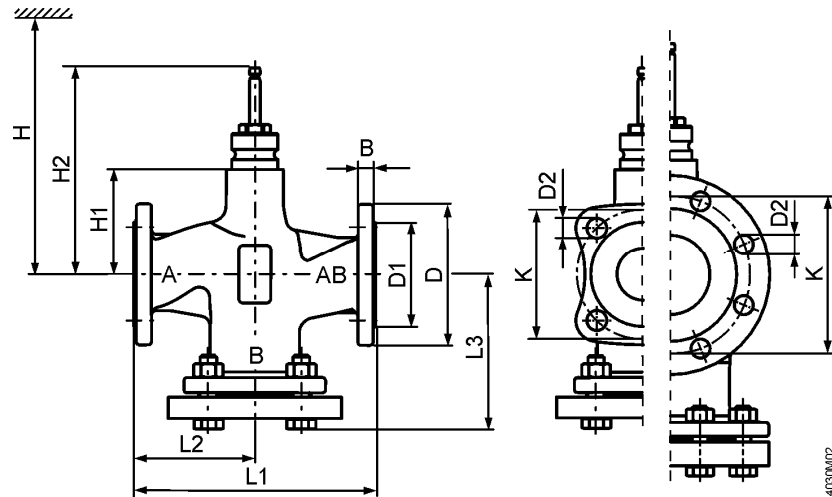
Functional data	PN class	PN 10	
	Connection	Flange	
	Operating pressure	See Section "Operating pressure and medium temperature" page 7	
	Valve characteristics ¹⁾	See section "Valve characteristics", page 6	
	Leakage rate	Throughport	0...0.02% of k_{vs} value
		Bypass	0.5...2% of k_{vs} value ($k_{vs} \geq 6.3$) 0.5...3% of k_{vs} value (k_{vs} 1.6; 2.5; 4)
	Permissible media	See table "Medium compatibility and temperature ranges" page 7	
	Medium temperature	-10... 150 °C	
	Rangeability	To DN 25: > 50	
		From DN 40: > 100	
	Nominal stroke	To DN 80: 20 mm	
		From DN 100: 40 mm	
	Materials	Valve body	EN-GJL-250
Blank flange		VVF.. S235JRG2	
Valve stem		Stainless steel	
Seat		Machined	
Plug		Brass/ Bronze	
Stem sealing gland		Brass EPDM O-rings PTFE sleeve silicon-free	
Standards	Pressure Equipment Directive	PED 97/23/EC	
	Pressure-carrying accessories	According to article 1, section 2.1.4	
	Fluid group 2	PN 10	
	Without CE certification as per article 3, section 3 (sound engineering practice)	≤DN 80	
	Category I, with CE certification	DN 100...150	
	Category II, with CE certification, notified body identification number 0036	-	
	PN class	ISO 7268	
	Operating pressure	ISO 7005, DIN EN 12284	
	Flanges	ISO 7005	
	Length of flanged valves	DIN EN 558-1, line 1	
	Valve characteristic	VDI 2173 ¹⁾	
	Leakage rate	Throughport, bypass according to EN 60534-4 / EN 1349	
	Water treatment	VDI 2035	

Environmental conditions		
Storage: IEC 60721-3-1	Class	1K3
	Temperature	-15...+55 °C
	Rel. humidity	5...95% r.h.
Transport: IEC 60721-3-2	Class	2K3, 2M2
	Temperature	-30...+65 °C
	Rel. humidity	< 95% r.h.
Operation: IEC 60721-3-3	Class	3K5, 3Z11
	Temperature	-15...+55 °C
	Rel. humidity	5...95% r.h.
Environmental compatibility	ISO 14001 (environment) ISO 9001 (quality) SN 36350 (environmentally compatible products) RL 2002/95/EG (RoHS)	
Dimensions / Weight	Dimensions	See "Dimensions", page 11
	Weight	See "Dimensions", page 11

¹⁾ For certain valve lines and high k_{vs} values, the valve characteristic is optimized for maximum volumetric flow k_{V100} .

Dimensions

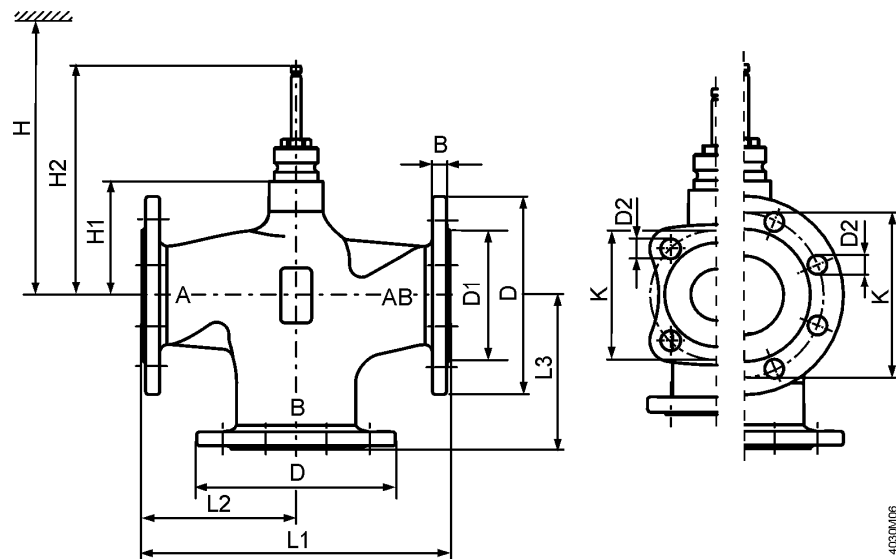
VVF32..



4030M02

Product number	DN	kg	B	Ø D	Ø D1	Ø D2	L1	L2	L3	Ø K	H1	H2	H				
													SAX..	SKD..	SKB..	SAV..	SKC..
VVF32..	15	3.7	14	95	46	14 (4x)	130	65	86	65	37	133.5	479	537	612	-	-
	20	-	-	-	-	-	-	-	-	-	-	-	-	-	-	-	-
	25	5.4	15	115	65	14 (4x)	160	80	104	85	37	133.5	479	537	612	-	-
	32	-	-	-	-	-	-	-	-	-	-	-	-	-	-	-	-
	40	9.2	16	150	84	19 (4x)	200	100	126	110	37	133.5	479	537	612	502	-
	50	12.2	16	165	99	19 (4x)	230	115	143	125	50	146.5	492	550	625	515	-
	65	17	17	185	118	19 (4x)	290	145	173	145	75	171.5	517	575	650	540	-
	80	25	17	200	132	19 (8x)	310	155	185	160	75	171.5	517	575	650	540	-
	100	35.7	17	220	156	19 (8x)	350	175	205	180	110	226.5	-	-	-	575	685
	125	52.5	17	250	184	19 (8x)	400	200	232	210	123	239.5	-	-	-	588	698
150	74.3	17	284	211	23 (8x)	480	240	275	240	150.5	267	-	-	-	616	726	

VXF32..




4030M06

Product number	DN	kg	B	Ø D	Ø D1	Ø D2	L1	L2	L3	Ø K	H1	H2	H				
													SAX..	SKD..	SKB..	SAV..	SKC..
VXF32..	15	2.6	14	95	46	14 (4x)	130	65	65	65	37	133.5	479	537	612	-	-
	20	-	-	-	-	-	-	-	-	-	-	-	-	-	-	-	-
	25	3.8	15	115	65	14 (4x)	160	80	80	85	37	133.5	479	537	612	-	-
	32	-	-	-	-	-	-	-	-	-	-	-	-	-	-	-	-
	40	6.3	16	150	84	19 (4x)	200	100	100	110	37	133.5	479	537	612	502	-
	50	8.7	16	165	99	19 (4x)	230	115	115	125	50	146.5	492	550	625	515	-
	65	12.9	17	185	118	19 (4x)	290	145	145	145	75	171.5	517	575	650	540	-
	80	19.2	17	200	132	19 (8x)	310	155	155	160	75	171.5	517	575	650	540	-
	100	28.8	17	220	156	19 (8x)	350	175	175	180	110	226.5	-	-	-	575	685
	125	43.2	17	250	184	19 (8x)	400	200	200	210	123	239.5	-	-	-	588	698
150	61.5	17	284	211	23 (8x)	480	240	240	240	150.5	267	-	-	-	616	726	

Spare parts

Stem sealing gland

Product number	DN	Stock number	Comments	
VVF32.. VXF32..	DN 15...150	4 284 8806 0		

Revision numbers

VVF..

VXF..

Product number	Valid from rev. no.	Product number	Valid from rev. no.
VVF32.15-1.6	..A	VXF32.15-1.6	..A
VVF32.15-2.5	..A	VXF32.15-2.5	..A
VVF32.15-4	..A	VXF32.15-4	..A
VVF32.25-6.3	..A	VXF32.25-6.3	..A
VVF32.25-10	..A	VXF32.25-10	..A
VVF32.40-16	..A	VXF32.40-16	..A
VVF32.40-25	..A	VXF32.40-25	..A
VVF32.50-40	..A	VXF32.50-40	..A
VVF32.65-63	..A	VXF32.65-63	..A
VVF32.80-100	..A	VXF32.80-100	..A
VVF32.100-160	..A	VXF32.100-160	..A
VVF32.125-250	..A	VXF32.125-250	..A
VVF32.150-400	..A	VXF32.150-400	..A