

AQB2001 connection set      AQB2004 mounting bracket  
Symaro™

## Mounting aids

## AQB2001 AQB2004

---

Accessories for mounting QBE2... series pressure sensors.

- Connection set **AQB2001** for remote mounting of pressure sensors
- Mounting bracket **AQB2004** to attach the pressure sensor for remote mounting

### Application

---

The connection set **AQB2001** and mounting bracket **AQB2004** are installed if the media temperature for pressure sensor QBE2x03 is colder than  $-15\text{ °C}$  or higher than  $+125\text{ °C}$ .

For remote mounting, the sensor can be operated together with the connection set **AQB2001** at ambient temperatures of  $-15\text{ °C}...+85\text{ °C}$  with media temperatures of  $-40\text{ °C}...+180\text{ °C}$ .

The connection set connects the sensor to natural gas or hydraulic systems with G 1/2" or G 1/8" threads.

## Type summary

---

Type	Stock number (SSN)	Product designation
<b>AQB2001</b>	S55720-S116	Connection set
<b>AQB2004</b>	S55720-S318	Mounting bracket

## Ordering and delivery

---

To order accessories, indicate the type, stock number, and product designation.

### Example

Product no. (ASN)	Stock number (SSN)	Product designation
AQB2001	S55720-S116	Connection set

AQB2001 and AQB2004 are each supplied with mounting instructions.

## Equipment combinations

---

The mounting bracket **AQB2004** can be used with series QBE2x03 and QBE2x04. Connection set **AQB2001** is designed for use with series QBE2x03.

## Mechanical design

---

### AQB2001

Connection set **AQB2001** consists of:

- 1 m copper capillary line with brass connecting nut
- Brass thread adaptor G 1/8" wrapped in PTFE
- Brass thread adaptor G 1/8" / G 1/2" wrapped in PTFE
- Brass thread adaptor M5
- Copper washer

### AQB2004

The mounting bracket is supplied with fixing screw M4x8.

## Mounting instructions

---

The sensor can be operated in detached installation at ambient temperatures up to 85 °C (-15 °C) and at media temperatures up to 180 °C (-40 °C). In this case, ensure the cooling output of the copper lines are not reduced by other heat sources or by blocked air circulation. Permissible pressure is limited to 93 bar at temperatures >120 °C.

Ensure that no condensation reaches the pressure sensor.

Connection set **AQB2001** is supplied with mounting instruction M1929 and mounting bracket **AQB2004** with mounting instructions A6V10448569.

## Disposal notes

---



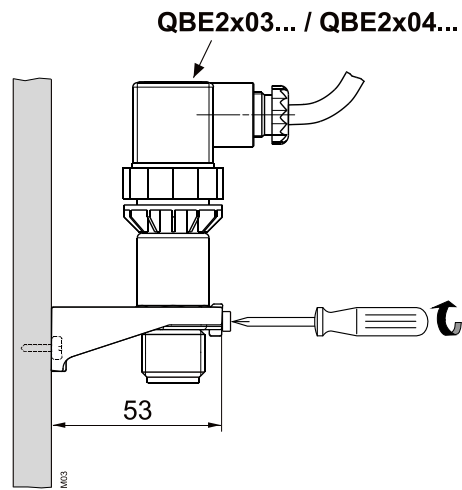
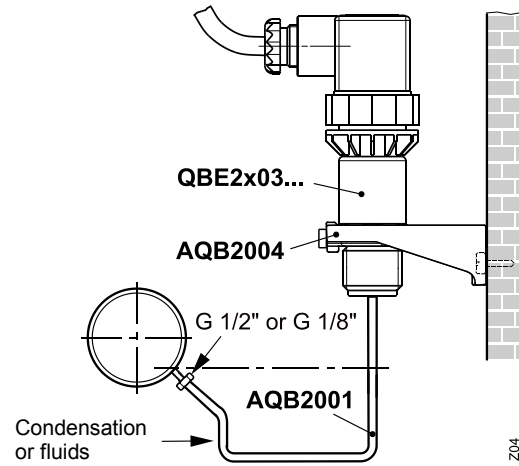
For disposal purposes, the devices are classified as electronic scrap in terms of European Directive 2012/19/EU and may not be disposed of as domestic waste.

- Use only designated channels for disposing of the devices.
- Comply with all local, applicable regulations.

## Technical data

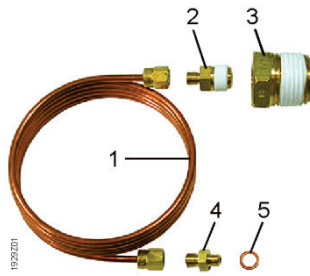
---

	<b>AQB2001</b>	<b>AQB2004</b>
Material	Copper, brass, Teflon	Aluminum
Weight, including packing	0.152 kg	30 g
Delivery	1 piece	1 piece



## Dimensions

### Connection set AQB2001



#### Key:

1. 1 m copper capillary line with brass connecting nut
2. Brass thread adaptor G 1/8" wrapped in PTFE
3. Brass thread adaptor G 1/8" / G 1/2" wrapped in PTFE
4. Brass thread adaptor M5
5. Copper washer

### Mounting bracket AQB2004

