



FDM243H

Sinteso™
Cerberus™ PRO

'Heavy Duty' manual call point



Addressed (FDnet / C-NET)

- Manual call points for addressed Sinteso FS20 and Cerberus PRO FS720 fire detection systems
- Very hard-wearing housing design
- For surface mounting outdoors and in humid environments
- Manual call point FDM243H with indirect activation
- Two-wire installation for all cable types
- Communication via FDnet/C-NET (addressed individually)

Properties

- **Eco-friendly**
 - Environmentally friendly processing
 - Recyclable materials
 - Electronic parts and synthetic materials can be easily separated
- **Features**
 - Protected electronics
 - Built-in alarm indicator (LED)
 - Integrated line separator
 - Two-color LED for alarm and test

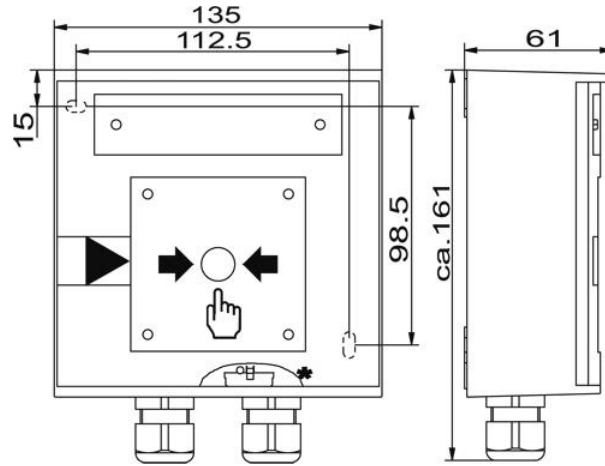
Manual call point

- **Function**
 - Indirect alarm activation by smashing the glass insert and pressing the alarm button
 - Open the door of the detector with the key to replace the glass insert. Reset the alarm button before closing the door.
- **Use**
 - For the immediate manual activation of a fire alarm
 - For indoor and outdoor application, also suitable for humid, wet and dusty environments
 - For surface-mounted feed lines in easily accessible locations only
 - Tunnels, industry

Installation

- There are **two** openings in the bottom of the housing
- Open cable entries must be closed for IP66 applications

Dimensions



Technical data

Operating voltage	DC 12...33 V
Operating current (quiescent)	200 µA
Ext. Alarm indicator (AI)	2
Operating temperature	-35...+70 °C
Storage temperature	-40...+70 °C
Humidity (no moisture condensation)	≤95 % rel.
Communication protocol	FDnet/C-NET
Connection terminals	0.2...2.5 mm ²
Color	red, ~RAL 3000
Protection category IEC 60529	IP66
Standards	EN 54-11, EN 54-17
Design according to EN 54-11	Type B (indirect activation)
Approvals	
– VdS	G214018
System compatibility	
– FDnet	FS20
– C-NET	FS720

14 CE 0786	FDM243H	Siemens Switzerland Ltd, Gubelstrasse 22 CH-6301 Zug Technical data: see doc. A6V10374021
FDM243H - Manual callpoint incl. short-circuit isolator for use in fire detection and fire alarm systems installed in buildings.		
305/2011/EU (CPR): EN 54-11 / EN 54-17 ; 2014/30/EU (EMC): EN 50130-4 / EN 61000-6-3 ; 2011/65/EU (RoHS): EN 50581		
The declared performance and conformity can be seen in the Declaration of Performance (DoP) and the EU Declaration of Conformity (DoC), which is obtainable via the Customer Support center: Tel. +49 89 9221-8000 or http://siemens.com/bt/download		
DoP No.: 0786-CPR-21331; DoC No.: CED-FDM243H		

Details for ordering

	Type	Art. no.	Designation	Weight
FDM243H	FDM243H	S54311-F8-A1	'Heavy Duty' manual call point	0.500 kg
Accessories	FDMK294	S24217-G34-A1	Key	0.010 kg
	—	A5Q00004478	Metal screwed cable gland M20 x 1.5	0.039 kg
Replacement material	FDMG298	S54311-B8-A1	Glass pane	0.010 kg

You will find additional information in the following documents:

- Equipment overview, doc no. 008164 (Sinteso), A6V10225323 (Cerberus PRO)
- For system compatibility, see the lists of compatibility, doc no. 008331 (Sinteso) and A6V10229261 (Cerberus PRO)
- Technical manual for manual call point FDM243H, document no. A6V10374021

Issued by
Siemens Schweiz AG
Building Technologies Division
International Headquarters
Gubelstrasse 22
CH-6301 Zug
Tel. +41 41 724 24 24
www.siemens.com/buildingtechnologies

© Siemens Switzerland Ltd, 2015
Technical specifications and availability subject to change without notice.