



Pressure Sensors

for neutral and slightly aggressive liquids and gases

QBE2003-P...
QBE2103-P...

-
- High-precision measuring
 - Measuring range 0 to 60 bar relative
 - Supply voltage AC 24 V / DC 12...33 V or DC 7...33 V
 - DC 0 ...10 V or DC 4...20 mA output signal
 - Measurement unaffected by changes in temperature
 - High temperature stability
 - Connection: external thread G 1/2", inside thread M5
 - Maintenance free thanks to outstanding long-term stability
 - High overload resistance
 - Robust and compact construction

Use

The pressure sensors are suitable for the measurement of relative pressure in HVAC plant, particularly in hydraulic and pneumatic systems using liquid or gaseous media (steam applications).

Type summary

Type reference	Order number	Pressure range		Output signal
QBE2003-P1	S55720-S290	0...1 bar	0...100 kPa	0...10 V
QBE2003-P1.6	S55720-S291	0...1.6 bar	0...160 kPa	0...10 V
QBE2003-P2.5	S55720-S292	0...2.5 bar	0...250 kPa	0...10 V
QBE2003-P4	S55720-S293	0...4 bar	0...400 kPa	0...10 V
QBE2003-P6	S55720-S294	0...6 bar	0...600 kPa	0...10 V
QBE2003-P10	S55720-S295	0...10 bar	0...1.0 MPa	0...10 V
QBE2003-P16	S55720-S296	0...16 bar	0...1.6 MPa	0...10 V
QBE2003-P25	S55720-S297	0...25 bar	0...2.5 MPa	0...10 V
QBE2003-P40	S55720-S298	0...40 bar	0...4.0 MPa	0...10 V
QBE2003-P60	S55720-S299	0...60 bar	0...6.0 MPa	0...10 V
QBE2103-P1	S55720-S300	0...1 bar	0...100 kPa	4...20 mA
QBE2103-P1.6	S55720-S301	0...1.6 bar	0...160 kPa	4...20 mA
QBE2103-P2.5	S55720-S302	0...2.5 bar	0...250 kPa	4...20 mA
QBE2103-P4	S55720-S303	0...4 bar	0...400 kPa	4...20 mA
QBE2103-P6	S55720-S304	0...6 bar	0...600 kPa	4...20 mA
QBE2103-P10	S55720-S305	0...10 bar	0...1.0 MPa	4...20 mA
QBE2103-P16	S55720-S306	0...16 bar	0...1.6 MPa	4...20 mA
QBE2103-P25	S55720-S307	0...25 bar	0...2.5 MPa	4...20 mA
QBE2103-P40	S55720-S308	0...40 bar	0...4.0 MPa	4...20 mA
QBE2103-P60	S55720-S309	0...60 bar	0...6.0 MPa	4...20 mA

Ordering and delivery

When ordering a pressure sensor, please provide quantity, type reference, order number and product name.

Example

Quantity	Type ref. (ASN)	Order number (SSN)	Product Name
1	QBE2003-P1	S55720-S290	Pressure sensor

Any accessories required must be ordered separately.

Accessories

Type ref.	Order number (SSN)	Name	Data sheet
AQB2004	S55720-S318	Fixing bracket for sensor (for remote mounting).	A6V10434028
AQB2001	S55720-S116	Mounting kit for remote mounting with 1 m copper capillary line. Pressure connection with G 1/8" or G 1/2" outer threading	A6V10434028

Mode of operation

The pressure sensors operate on the piezo-resistive measuring principle. The ceramics diaphragm (thick-film hybrid technology) acquires the pressure through direct contact with the medium. The measurement is converted electronically into a linear output signal of DC 0...10 V or DC 4...20 mA.

Mechanical design

The pressure sensor consists of:

- Sensor hood with DIN EN 175301-803-A plug-in connection
- Piezo-resistive measuring element integrated in the stainless steel case
- Pressure connection external thread G ½" and inside thread M5 for use with accessory AQB2001
- Plug DIN EN 175301-803-A (plugged in)

No changes or adjustments are possible.

Mounting notes

Mounting Instructions are enclosed with the sensor. For further information about mounting location and mounting position refer to the sensor mounting user's manual at the BT download center: <http://siemens.com/bt/download>.

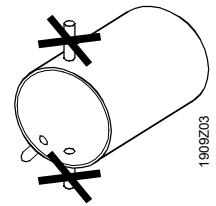
Appropriate measures must be taken to ensure a leak-proof fitting.

To provide for test measurements without leakage of the medium, it is strongly recommended that an appropriate test adapter and shutoff device be fitted.

Pressure measurement with liquids

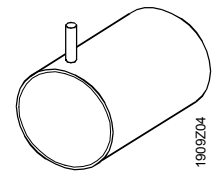
The tapping point should be at the side, near the bottom of the pipe. Do not measure the pressure from the top of the pipe (where it may be affected by airlocks) or the bottom (where it may be affected by dirt).

Always purge the system.



Pressure measurement with condensing gases

The tapping point should be at the top so that no condensate reaches the sensor.



Important note

Ensure suitable constructions measures are undertaken to avoid pressure shocks in the plant; pressure shocks may damage the pressure sensor's diaphragm. In the event that pressure shocks are unavoidable, a panel screw (M5) may be able to weaken the effect. Contact in this case your nearest Siemens branch office.

Disposal



The device is considered electrical and electronic equipment for disposal in terms of the applicable European Directive and may not be disposed of as domestic garbage.

- Dispose of the device via the channels provided for this purpose.
- Comply with all local and currently applicable laws and regulations.

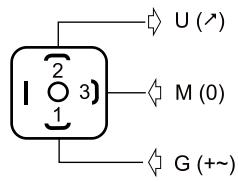
Technical data

Electrical interface	Power supply	Protection by extra low voltage (SELV, PELV)		
	Supply voltage (QBE2003...)	AC 24 V ± 15 %, 50...60 Hz or DC 12...33 V		
	Current consumption	< 7 mA, < 0.5 VA		
	Supply voltage (QBE2103...)	DC 7...33 V		
	Current consumption	< 23 mA, < 0.7 VA		
	External supply line protection	Fuse slow max. 10 A or Circuit breaker max. 13 A Characteristic B, C, D according to EN 60898 or Power source with current limitation of max. 10 A		
	Output signal QBE2003...	DC 0 ... 10 V, load > 10 kΩ, < 100 nF, 3-wire		
	Output signal QBE2103...	DC 4...20 mA, $R_{Load} \leq \frac{\text{Operating voltage} - 7 \text{ V}}{0,02 \text{ A}}$ Ohm 2-wire		
	Insulation voltage	500V		
	Short circuit proof, protected against reverse polarity	Any connection		
Functional data	Application range	Refer to "Type summary"		
Measuring accuracy <i>FS = Full scale</i>	Characteristic curve ¹⁾	± 0.3 % FS		
	Resolution	0.1 % FS		
	Temperature response	< ± 0.2 % FS/10 °C (-15...85°C)		
	Long-term stability (as per IEC EN60770-1)	< ± 0.25 % FS		
	¹⁾ typical; max. 0.5 % FS (including zero point, end value, linearity, hysteresis, and reproducibility)			
	Dynamic response	Response time:	< 2 ms, typical 1 ms	
		Load change:	< 100 Hz	
	Nominal pressure	Relative pressure as in "Type summary" (measurement of difference from ambient pressure)		
	Max. admissible pressure/ Rupture pressure	3 x scale end value of measuring range 0...1 to 0...4 bar 2.5 x scale end value of measuring range 0...6 to 0...60 bar		
	Media	Neutral and slightly corrosive liquids and gases (suited for use with oil-contacting media)		
Admissible temperature of medium	- 15...+ 125 °C			
Maintenance	Maintenance-free			
Mounting position	Optional			
Protection	Protection standard	IP 65 to EN 60529		
	Protection class	III according to EN 60730		
Connections	Electric connection	Plug DIN EN 175301-803-A, Cable diameter 6-8 mm		
	Screwed fitting	External thread G ½", inside thread M5		
Environmental conditions	Temperature	Operation	Storage	
	Humidity	- 30...+ 85 °C	- 50...+ 100 °C	
		Insensitive to Condensation	Insensitive to Condensation	
Directives and standards	Product standard	EN 61326-1 Electrical equipment for measurement, control and laboratory use. EMC requirements. General requirements		
Materials	Pressure connection	Stainless steel 1.4404 / AISI 316L		
	Plug housing	Polyarylamide 50 % GF VO		
	Materials and media contact	Press. connection Meas. element Sealant	Stainless steel 1.4404 / AISI 316L Ceramics Al2O3 (96 %) FPM	
Conformity	EU Conformity (CE)	8000078214 *)		
	RCM Conformity	CE1T1909en_C1 *)		
Weight	Including packaging	0,171 kg		

*) The documents can be downloaded from <http://siemens.com/bt/download>.

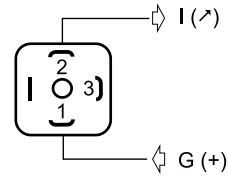
Internal diagram

QBE2003...



<i>BT-Terminal marking</i>	<i>Terminal nr.</i>	<i>Meaning</i>
U (↗)	2	Output signal DC 0...10 V (signal ground GND)
M (0)	3	GND
G (+)	1	Supply voltage AC 24 V or DC 12...33 V

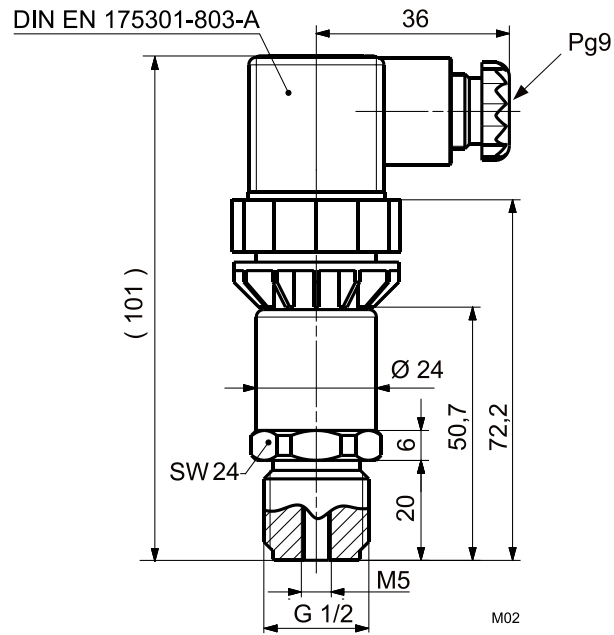
QBE2103...



<i>BT-Terminal marking</i>	<i>Terminal nr.</i>	<i>Meaning</i>
I (↗)	2	Output signal DC 4...20 mA
G (+)	1	Supply voltage DC 7...33 V

Dimensions

QBE2003-P...
QBE2103-P...



Published by:
Siemens Switzerland Ltd.
Building Technologies Division
International Headquarters
Theilerstrasse 1a
CH-6300 Zug
Switzerland
Tel. +41 58-724 24 24
www.siemens.com/buildingtechnologies

© Siemens Switzerland Ltd 2005
Delivery and technical specifications subject to change