

Sinteso™ Cerberus™ PRO

Manual call point

FDM223-Ex



Addressed (FDnet-Ex/C-NET-Ex), for areas at risk of explosion

- Manual call point for addressed Sinteso FS20 and Cerberus PRO FS720 fire detection system
- Manual call point FDM223-Ex with indirect activation
- Two-wire installation
- Communication via FDnet-Ex/C-NET-Ex (addressed individually)

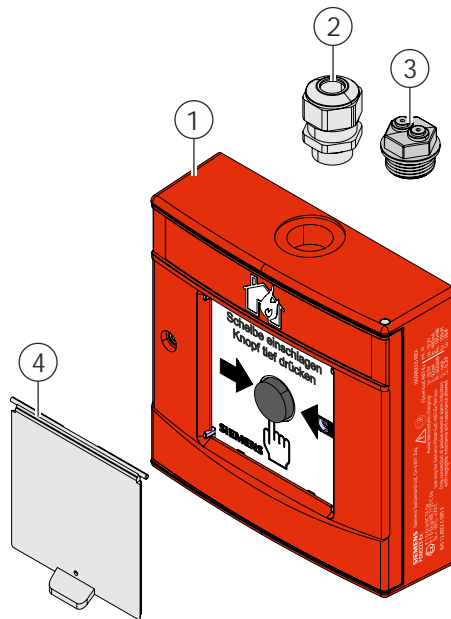
Features

- Protected electronics
- Built-in alarm indicator (LED)
- Two-color LED for alarm and test

Eco-friendly

- Environmentally friendly processing
- Reusable materials
- Electronic parts and synthetic materials can be separated

Functions



1 Manual call point FDM223-Ex

2 Metal cable gland

3 Cable gripper (2-hole)

4 Protective cover DMZ1197-AC

- Indirect alarm activation by smashing the glass insert and pressing the alarm button.
- Open the door of the detector with the key to replace the glass insert. Reset the alarm button before closing the door.
- Protective cover DMZ1197-AC (accessories) protects the manual call point against the glass being broken accidentally.



Observe national guidelines and regulations.

Type Overview

Type	Designation	Order number	Weight [kg]
FDM223-Ex	Manual call point	S54329-F5-A1	0.356

Accessories for FDM223-Ex

Type	Designation	Order number	Weight [kg]
DMZ1197-AC	Protective cover	BPZ:5223550001	0.012
-	Metal cable gland M20 x 1.5	A5Q00004478	0.036
DMZ1197-AD	Sealing	BPZ:5470680001	0.022

Spare parts for FDM223-Ex

Type	Designation	Order number	Weight [kg]
DMZ1196-AC	Glass insert	BPZ:4942050001	0.011
DMZ1195	Key	BPZ:4851910001	0.001

Product documentation

Document ID	Name
008164	Equipment overview Sinteso™ Detector system FD20
008331	List of compatibility (for 'Sinteso™' product line)
A6V10229261	List of compatibility (for 'Cerberus™ PRO' product line)
A6V10349616	Technical Manual Manual call point FDM223-Ex
A6V10324618	Planning, Mounting/Installation, Commissioning, Maintenance of fire detection installations with addressed detector lines in potentially explosive atmospheres
A6V10349619	Installation Manual call point FDM223-Ex

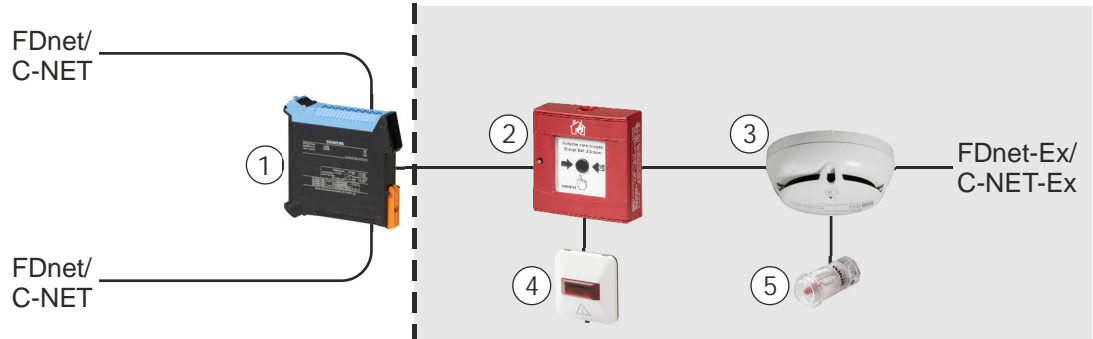
Related documents such as the environmental declarations, CE declarations, etc., can be downloaded from the following Internet address:

<https://siemens.com/bt/download>

Installation

Specific national requirements always apply when creating installations in areas at risk of explosion.

The line adapter (Ex) FDCL221-Ex ensures electrical isolation of the potentially explosive areas and the areas not at risk.



1 Line adapter (Ex) FDCL221-Ex

2 Manual call point FDM223-Ex

3 Multi-sensor fire detector
FDOOT241-A9-Ex / Multi-sensor fire
detector OOH740-A9-Ex

4 Alarm indicator FDAI92-Ex

5 Alarm indicator FDAI93-Ex

Disposal



The device is considered an electronic device for disposal in accordance with the European Guidelines and may not be disposed of as domestic garbage.

- Dispose of the device through channels provided for this purpose.
- Comply with all local and currently applicable laws and regulations.

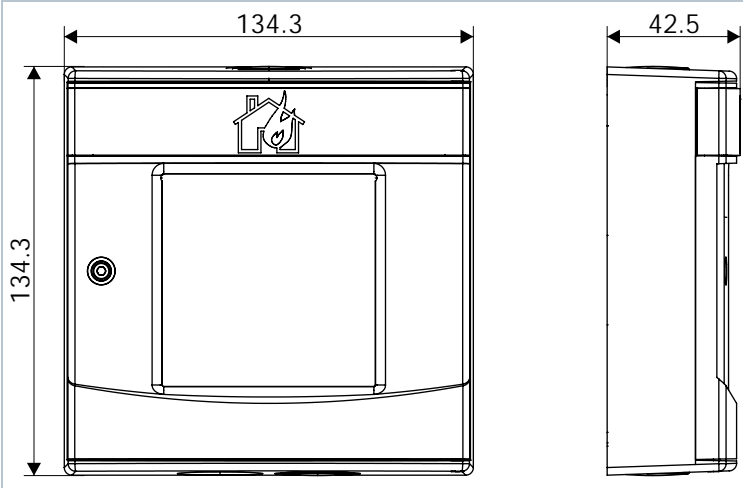
Technical data

	FDM223-Ex
Operating voltage	DC 13...28 V
Operating current (quiescent)	200 µA
Operating temperature	-25...+70 °C
Storage temperature	-35...+75 °C
Air humidity	≤95 % rel.
Communication protocol	FDnet-Ex/C-NET-Ex
Conductor cross section	1...1.5 mm ²
Color	~RAL 3000 flame red
Protection category (IEC/EN 60529)	IP44
<ul style="list-style-type: none"> • With seal DMZ1197-AD 	IP66
Ex classification IECEX	Ex ia IIC T4 Ga, Ta = -35...70 °C Ex ia IIIB T135 °C Da, Ta = -35...70 °C
Directive 2014/34/EU: (ATEX directive)	II 1 G Ex ia IIC T4 Ga, Ta = -35...70 °C II 1 D Ex ia IIIB T135 °C Da, Ta = -35...70 °C
Standards	EN 54-11 Type B (indirect activation)
Standards for explosion-hazard areas	EN 60079-0 EN 60079-11
Ex approvals	
<ul style="list-style-type: none"> • EC-type examination certificate • IECEX 	BVS 12 ATEX E 095 X IECEX BVS 12.0082X
Approvals	
<ul style="list-style-type: none"> • VdS • DNV GL (marine) 	G213107 MEDB00003UM
System compatibility	
<ul style="list-style-type: none"> • FDnet • C-NET 	FS20, AlgoRex, SIGMASYS FS720

Ex-related connection data, intrinsically safe	U_i	28 V
	I_i	92 mA
	P_i	650 mW
	L_i	Negligible
	C_i	0,2 nF
Line to external alarm indicator	U_o	14.2 V
	I_o	480 mA
	P_o	195 mW
	L_o	100 μ H
	C_o	38 nF
Only for connecting passive, external alarm indicators with negligibly low inductance and capacitance levels.		

Symbol	Meaning
C_o	Maximum external capacitance
C_i	Maximum internal capacitance
I_o	Maximum output current
I_i	Maximum input current
L_o	Maximum external inductance
L_i	Maximum internal inductance
P_o	Maximum output power
P_i	Maximum input power
U_o	Maximum output voltage
U_i	Maximum input voltage

Manual call point FDM223-Ex



14 CE 0786 0102	FDM223-Ex	Siemens Schweiz AG; Theilerstrasse 1a CH-6300 Zug Technical data: see doc. A6V10349616
FDM223-Ex - Manual callpoint for use in fire detection and fire alarm systems installed in buildings.		
305/2011/EU (CPR): EN 54-11 ; 2014/30/EU (EMC): EN 50130-4 / EN 61000-6-3 ; 2011/65/EU (RoHS): EN 50581 ; 2014/34/EU (ATEX): EN 60079-0 / EN 60079-11		
The declared performance and conformity can be seen in the Declaration of Performance (DoP) and the EU Declaration of Conformity (DoC), which is obtainable via the Customer Support Center: Tel. +49 89 9221-8000 or https://siemens.com/bt/download		
DoP No.: 0786-CPR-21320; DoC No.: CED-FDM223-Ex		

Issued by
Siemens Switzerland Ltd
Building Technologies Division
International Headquarters
Theilerstrasse 1a
CH-6300 Zug
Tel. +41 58 724 2424
www.siemens.com/buildingtechnologies

© Siemens Switzerland Ltd, 2015
Technical specifications and availability subject to change without notice.